



---

# Customer information packet

## XT3202T-5

20HP, 3520RPM, 3PH, 60HZ, 256T, 0936M, TEFC, F1

Class - CLI GP A,B,C,D

Division - Division II

## Specifications

Enclosure	TEFC
Frame	256T
Frame Material	Iron
Frequency	60.00 Hz
Haz Area Class and Group	CLI GP A,B,C,D
Haz Area Division	Division II
Motor Letter Type	Three Phase
Output @ Frequency	20.000 HP @ 60 HZ
Phase	3
Synchronous Speed @ Frequency	3600 RPM @ 60 HZ
Voltage @ Frequency	575.0 V @ 60 HZ
Agency Approvals	UR NEMA_PREMIUM NEMA PREMIUM CSA EEV CCSA US
Ambient Temperature	40 °C
Auxillary Box	No Auxillary Box
Auxillary Box Lead Termination	None
Base Indicator	Rigid
Bearing Grease Type	Polyrex EM (-20F +300F)
Blower	None
Constant Torque Speed Range	6
Current @ Voltage	18.000 A @ 575.0 V
Design Code	A
Drip Cover	No Drip Cover
Duty Rating	CONT
Efficiency @ 100% Load	91.0 %
Electrically Isolated Bearing	Not Electrically Isolated
Feedback Device	NO FEEDBACK
Haz Area Temp Code	T3
Heater Indicator	No Heater

## Part detail

Revision	C
Type	AC
Mech. spec.	
Base	
Status	PRD/A
Elec. spec.	09WGZ699
Layout	09LY-001-224
Eff. date	11-14-2023
CD Diagram	CD0006
Poles	02
Leads	3#12
Proprietary	False
Created date	07-20-2021

High Voltage Full Load Amps	18.0 a
Insulation Class	F
Inverter Code	Inverter Duty
IP Rating	NONE
KVA Code	H
Lifting Lugs	Standard Lifting Lugs
Locked Bearing Indicator	Locked Bearing
Motor Lead Termination	Flying Leads
Motor Standards	NEMA
Motor Type	0936M
Mounting Arrangement	F1
Number of Poles	2
Overall Length	23.36 IN
Power Factor	88
Product Family	General Purpose
Pulley Face Code	Standard
Rodent Screen	None
Service Factor	1.15
Shaft Diameter	1.625 IN
Shaft Ground Indicator	No Shaft Grounding
Shaft Rotation	Reversible
Speed	3520 rpm
Speed Code	Single Speed
Starting Method	Direct on line
Thermal Device - Bearing	None
Thermal Device - Winding	None
Vibration Sensor Indicator	No Vibration Sensor
Winding Thermal 1	None
Winding Thermal 2	None

**Nameplate**

<b>NP4224L</b>									
<b>CAT.NO.</b>	XT3202T-5				<b>I.P.</b>	54			
<b>SPEC.</b>	09-0000-3295				<b>ENCL</b>	TEFC			
<b>FRAME</b>	256T	<b>H.P.</b>	20		<b>T. CODE</b>	T3			
<b>VOLTS</b>	575		<b>P.F.</b>	88					
<b>F.L. AMPS</b>	18		<b>RATING</b>	40C AMB-CONT					
<b>R.P.M.</b>	3520		<b>USABLE AT 208V</b>	N/A					
<b>HZ.</b>	60	<b>PH.</b>	3	<b>CLASS</b>	F				
<b>SER.F.</b>	1.15		<b>DES.</b>	A	<b>SL HZ</b>	1.3			
<b>NEMA NOM. EFF.</b>	91		<b>WK2</b>	0.92					
<b>DE</b>	6309		<b>ODE</b>	6208					
<b>MAG. CUR.</b>	5.7								
<b>INV TYPE</b>	PWM	<b>CHP</b>	60	<b>TO</b>	90	<b>INV TEMP CODE</b>	T3		
<b>CT</b>	6	<b>TO</b>	60	<b>VT</b>	6	<b>TO</b>	60		
<b>CC</b>	010A	<b>SN</b>							

**AC Induction Motor Performance Data**

Record # 33069

Typical performance - not guaranteed values

Winding: 09WGZ699-R001		Type: 0936M	Enclosure: TEFC		
<b>Nameplate Data</b>			<b>575 V, 60 Hz: Single Voltage Motor</b>		
Rated Output (HP)	20	Full Load Torque	29.7 LB-FT		
Volts	575	Start Configuration	direct on line		
Full Load Amps	18	Breakdown Torque	110 LB-FT		
R.P.M.	3520	Pull-up Torque	39 LB-FT		
Hz	60	Phase	3	Locked-rotor Torque	49.5 LB-FT
NEMA Design Code	A	KVA Code	H	Starting Current	129 A
Service Factor (S.F.)	1.15	No-load Current	5.75 A		
NEMA Nom. Eff.	91	Power Factor	88	Line-line Res. @ 25°C	0.732 Ω
Rating - Duty	40C AMB-CONT		Temp. Rise @ Rated Load	78°C	
S.F. Amps			Temp. Rise @ S.F. Load	98°C	
			Locked-rotor Power Factor	29.5	
			Rotor inertia	0.92 lb-ft <sup>2</sup>	

**Load Characteristics 575 V, 60 Hz, 20 HP**

% of Rated Load	25	50	75	100	125	150	S.F.
Power Factor	58	78	86	88	90	90	89
Efficiency	88.4	91.9	92.2	91.7	90.3	89	90.9
Speed	3580	3562	3541	3519	3495	3468	3505
Line amperes	7.21	10.4	14.2	18.4	22.9	28	21.1

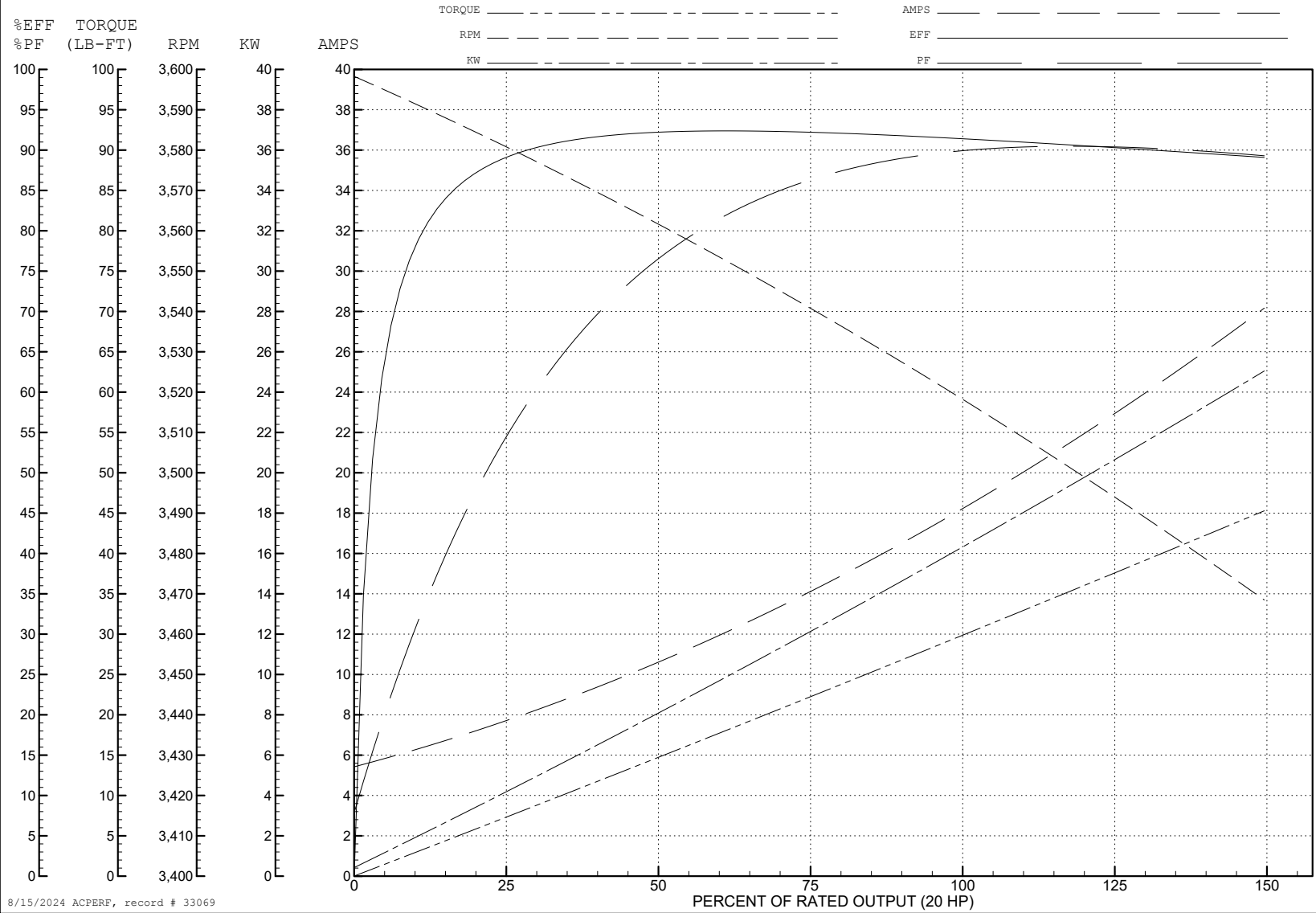
ABB Motors and Mechanical Inc.

WINDING # 09WGZ699

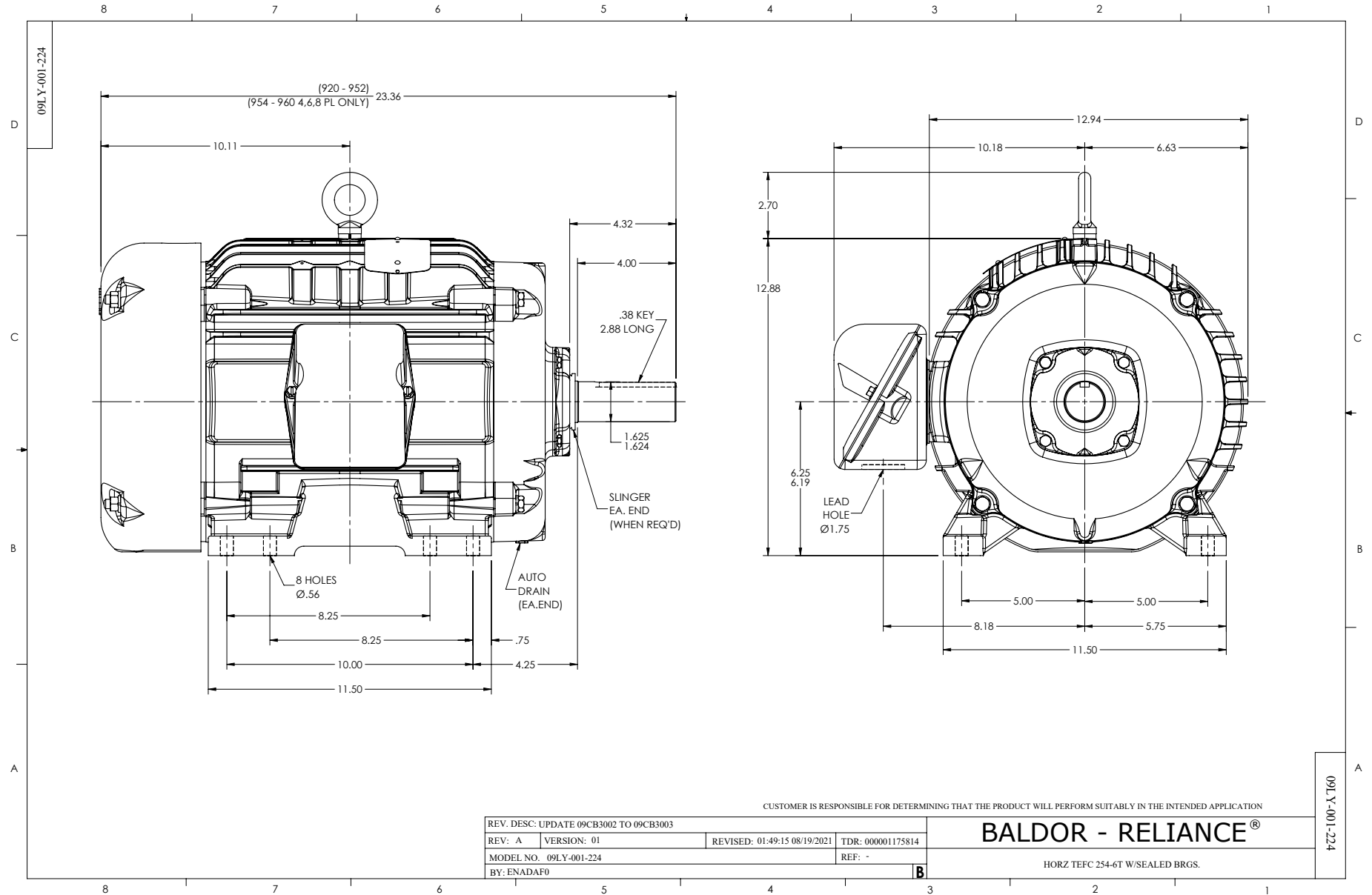
Typical performance - not guaranteed values.

20 HP 3 PH 60 HZ 3520 RPM 575 V 0936M

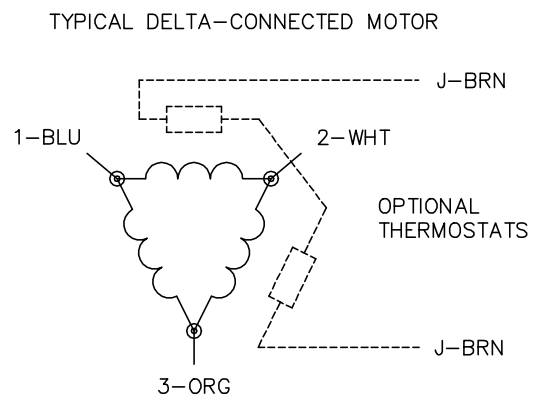
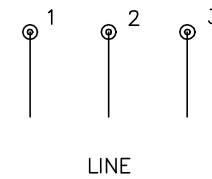
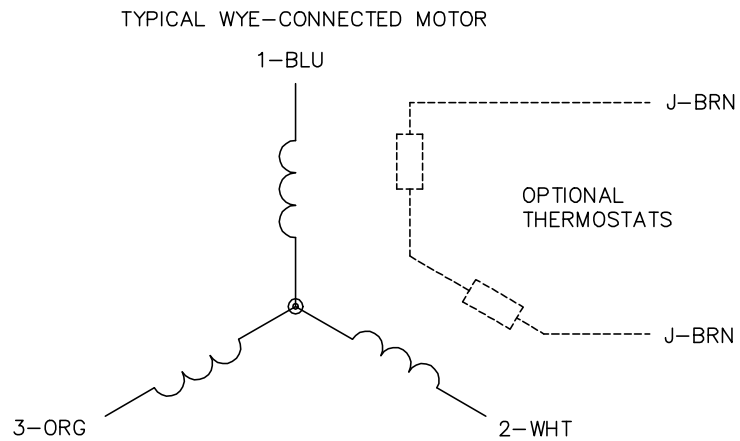
TORQUES (LB-FT): PO=110 PU=39 LR=49.5 LRA=129



8/15/2024 ACPERF, record # 33069



CD0006



NOTES:

1. THREE LEAD MOTOR MAY BE EITHER WYE CONNECTED OR DELTA CONNECTED.
2. INTERCHANGE ANY TWO LINE LEADS TO REVERSE ROTATION.
3. OPTIONAL THERMOSTATS ARE PROVIDED WHEN SPECIFIED.
4. ACTUAL NUMBER OF INTERNAL PARALLEL CIRCUITS MAY VARY.
5. LEAD COLORS ARE OPTIONAL. LEADS MUST BE NUMBERED AS SHOWN.

CD0006

REV. DESC: ADD CLASS CONN00000007		
REV. LTR: E	VERSION: 01	TDR: 000001099922
FILE: \AAA\00005\141	REVISED: 10:24:49 02/19/2019	BY: ENBRIRO
MTL: -	© □	

**BALDOR - RELIANCE®**

3PH, SV, 3 LEADS, WYE OR DELTA CONNECTED

SH 1 of 1