



---

# Customer information packet

## XT3152T

15HP, 3520RPM, 3PH, 60HZ, 254T, 0930M, TEFC, F1

Class - CLI GP A,B,C,D

Division - Division II

## Specifications

Enclosure	TEFC
Frame	254T
Frame Material	Iron
Frequency	60.00 Hz
Motor Letter Type	Three Phase
Output @ Frequency	15.000 HP @ 60 HZ
Phase	3
Synchronous Speed @ Frequency	3600 RPM @ 60 HZ
Voltage @ Frequency	230.0 V @ 60 HZ 460.0 V @ 60 HZ
XP Class and Group	CLIP A,B,C,D
XP Division	Division II
Agency Approvals	CCSA US UR NEMA PREMIUM CSA EEV
Ambient Temperature	40 °C
Auxillary Box	No Auxillary Box
Auxillary Box Lead Termination	None
Base Indicator	Rigid
Bearing Grease Type	Polyrex EM (-20F +300F)
Blower	None
Constant Torque Speed Range	6
Current @ Voltage	17.500 A @ 460.0 V 35.000 A @ 230.0 V 38.000 A @ 208.0 V
Design Code	B
Drip Cover	No Drip Cover
Duty Rating	CONT
Efficiency @ 100% Load	91.0 %
Electrically Isolated Bearing	Not Electrically Isolated
Feedback Device	NO FEEDBACK

## Part detail

Revision	E
Type	AC
Mech. spec.	
Base	
Status	PRD/A
Elec. spec.	09WGZ602
Layout	09LY-001-224
Eff. date	12-28-2022
CD Diagram	CD0180
Poles	02
Leads	9#12
Proprietary	False
Created date	11-20-2020

<b>Heater Indicator</b>	No Heater
<b>High Voltage Full Load Amps</b>	17.5 a
<b>Insulation Class</b>	F
<b>Inverter Code</b>	Inverter Duty
<b>IP Rating</b>	NONE
<b>KVA Code</b>	G
<b>Lifting Lugs</b>	Standard Lifting Lugs
<b>Locked Bearing Indicator</b>	Locked Bearing
<b>Motor Lead Termination</b>	Flying Leads
<b>Motor Standards</b>	NEMA
<b>Motor Type</b>	0930M
<b>Mounting Arrangement</b>	F1
<b>Number of Poles</b>	2
<b>Overall Length</b>	23.19 IN
<b>Power Factor</b>	87
<b>Product Family</b>	General Purpose
<b>Pulley Face Code</b>	Standard
<b>Rodent Screen</b>	None
<b>Service Factor</b>	1.15
<b>Shaft Diameter</b>	1.625 IN
<b>Shaft Ground Indicator</b>	No Shaft Grounding
<b>Shaft Rotation</b>	Reversible
<b>Speed</b>	3520 rpm
<b>Speed Code</b>	Single Speed
<b>Starting Method</b>	Direct on line
<b>Thermal Device - Bearing</b>	None
<b>Thermal Device - Winding</b>	None
<b>Vibration Sensor Indicator</b>	No Vibration Sensor
<b>Winding Thermal 1</b>	None
<b>Winding Thermal 2</b>	None
<b>XP Temp Code</b>	T3C

**Nameplate**

<b>NP4163L</b>									
<b>CAT.NO.</b>	XT3152T				<b>I.P.</b>	54			
<b>SPEC.</b>	09-0000-2754				<b>ENCL</b>	TEFC			
<b>FRAME</b>	254T		<b>H.P.</b>	15					
<b>VOLTS</b>	230/460		<b>P.F.</b>	87					
<b>F.L. AMPS</b>	35/17.5		<b>RATING</b>	40C AMB-CONT					
<b>R.P.M.</b>	3520		<b>USABLE AT 208V</b>	38					
<b>HZ.</b>	60		<b>PH.</b>	3		<b>CLASS</b>	F		
<b>SER.F.</b>	1.15		<b>DES.</b>	B		<b>SL HZ</b>	1.3		
<b>NEMA NOM. EFF.</b>	91		<b>WK2</b>	0.77					
<b>DE</b>	6309		<b>ODE</b>	6208					
<b>MAG. CUR.</b>	12.6/6.3								
<b>INV TYPE</b>	PWM	<b>CHP</b>	60	<b>TO</b>	90	<b>T. CODE</b>	T3A		
<b>CT</b>	6	<b>TO</b>	60	<b>VT</b>	6	<b>TO</b>	60		
<b>CC</b>	010A		<b>SN</b>						
USABLE AT 50 HZ 10HP 190/380V									
29.4/14.7A									

**AC Induction Motor Performance Data**

Record # 31412

Typical performance - not guaranteed values

<b>Winding: 09WGZ602-R001</b>		<b>Type: 0930M</b>		<b>Enclosure: TEFC</b>	
<b>Nameplate Data</b>			<b>460 V, 60 Hz: High Voltage Connection</b>		
<b>Rated Output (HP)</b>	15	<b>Full Load Torque</b>	22.1 LB-FT		
<b>Volts</b>	230/460	<b>Start Configuration</b>	direct on line		
<b>Full Load Amps</b>	35/17.5	<b>Breakdown Torque</b>	105 LB-FT		
<b>R.P.M.</b>	3525	<b>Pull-up Torque</b>	26.2 LB-FT		
<b>Hz</b>	60	<b>Locked-rotor Torque</b>	36.3 LB-FT		
<b>NEMA Design Code</b>	B	<b>Starting Current</b>	110 A		
<b>Service Factor (S.F.)</b>	1.15	<b>No-load Current</b>	5.58 A		
<b>NEMA Nom. Eff.</b>	91	<b>Line-line Res. @ 25°C</b>	0.68654 Ω		
<b>Rating - Duty</b>	40C AMB-CONT	<b>Temp. Rise @ Rated Load</b>	63°C		
<b>S.F. Amps</b>		<b>Temp. Rise @ S.F. Load</b>	78°C		
		<b>Locked-rotor Power Factor</b>	30		
		<b>Rotor inertia</b>	0.766 lb-ft <sup>2</sup>		

**Load Characteristics 460 V, 60 Hz, 15 HP**

<b>% of Rated Load</b>	<b>25</b>	<b>50</b>	<b>75</b>	<b>100</b>	<b>125</b>	<b>150</b>	<b>S.F.</b>
<b>Power Factor</b>	55	77	85	87	89	89	88
<b>Efficiency</b>	86.4	91	91.6	91	90	88.6	90.4
<b>Speed</b>	3582.7	3563.6	3542.7	3520.9	3495.8	3468.3	3506
<b>Line amperes</b>	6.93	9.78	13.5	17.5	21.6	26.4	20

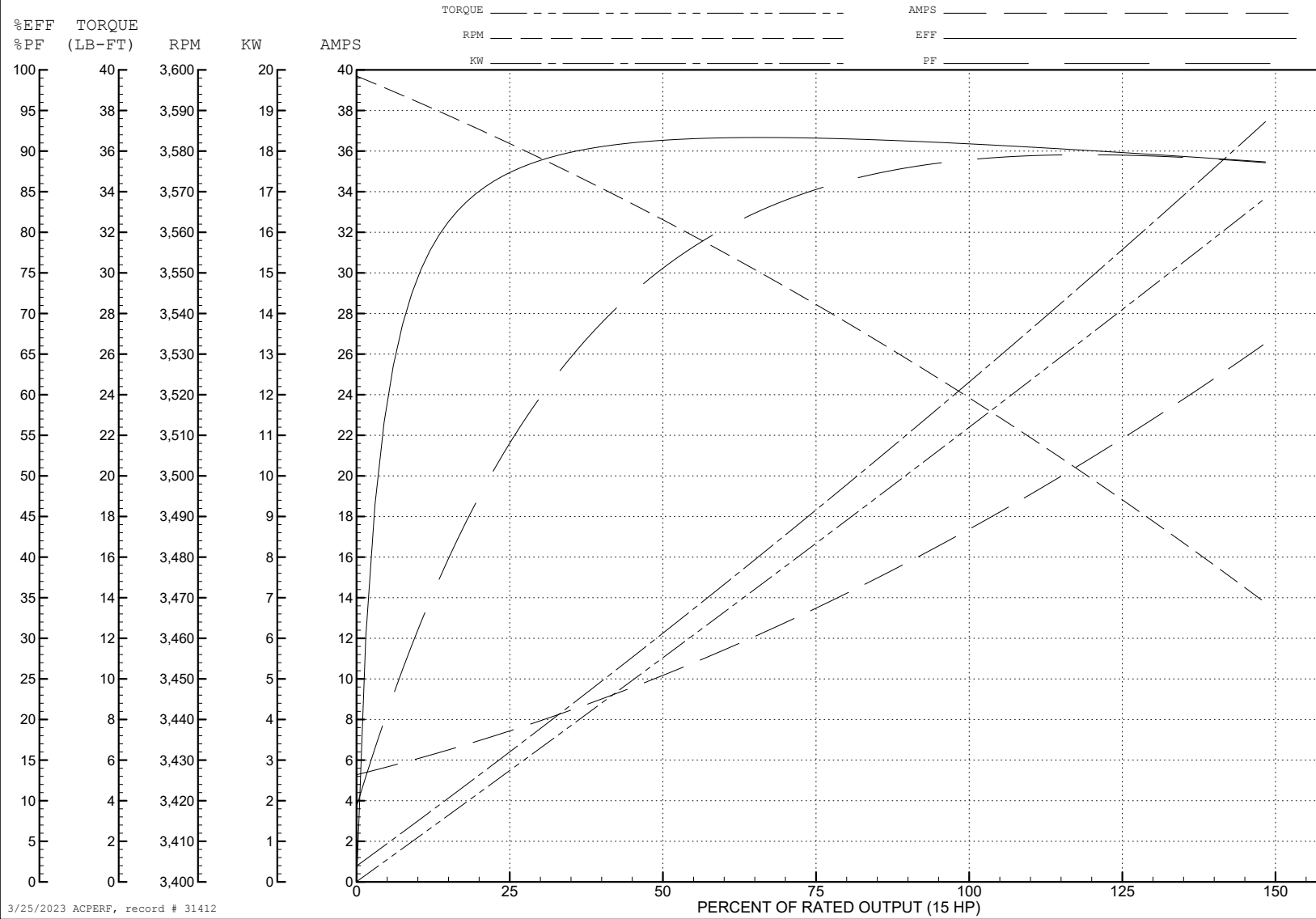
ABB Motors and Mechanical Inc.

WINDING # 09WGZ602

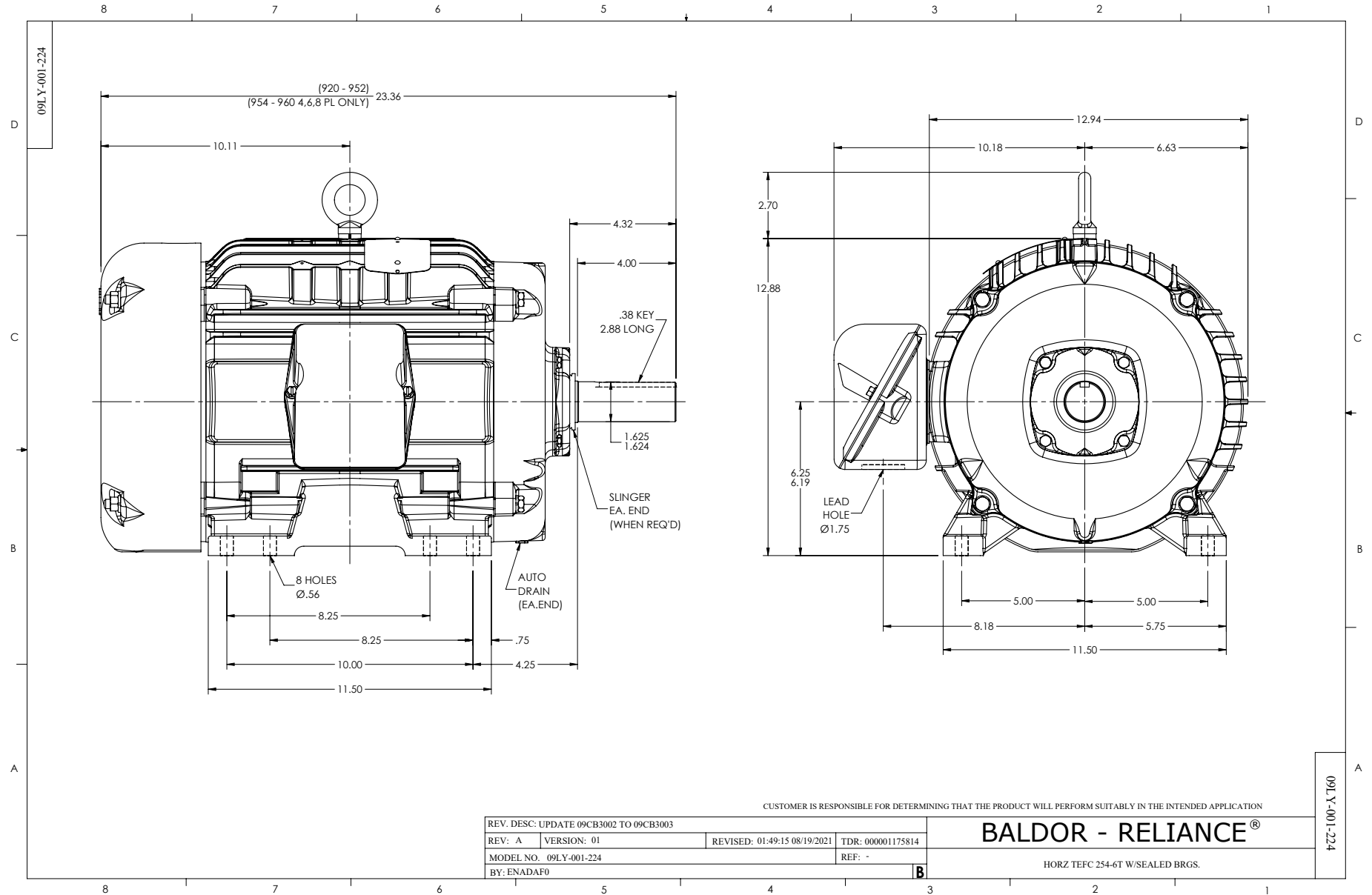
Typical performance - not guaranteed values.

15 HP 3 PH 60 HZ 3525 RPM 460 V 0930M

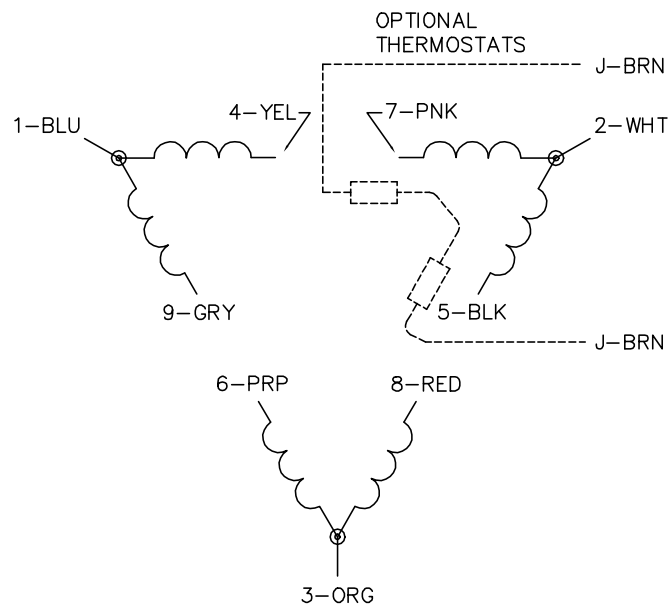
TORQUES (LB-FT): PO=105 PU=26.2 LR=36.3 LRA=110



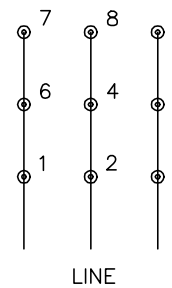
3/25/2023 ACPERF, record # 31412



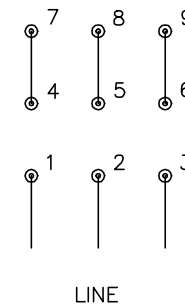
CD0180



LOW VOLTAGE  
(2D)



HIGH VOLTAGE  
(1D)



**NOTES:**

1. INTERCHANGE ANY TWO LINE LEADS TO REVERSE ROTATION.
2. OPTIONAL THERMOSTATS ARE PROVIDED WHEN SPECIFIED.
3. ACTUAL NUMBER OF INTERNAL PARALLEL CIRCUITS MAY BE A MULTIPLE OF THOSE SHOWN ABOVE.
4. LEAD COLORS ARE OPTIONAL. LEADS MUST ALWAYS BE NUMBERED AS SHOWN.

CD0180

REV. DESC: ADD CLASS CONN00000007		
REV. LTR: D	VERSION: 01	TDR: 000001099922
FILE: \AAA\00005\148	REVISED: 10: 25: 29 02/19/2019	BY: ENBRIRO
MTL: -	© □	

**BALDOR - RELIANCE®**

3PH, DV, 9 LEADS, DELTA CONNECTION

SH 1 of 1