

BALDOR • RELIANCE

Customer information packet

XT3152T-5

15HP, 3525RPM, 3PH, 60HZ, 254T, TEFC, F1

Class - CLI GP A,B,C,D

Division - Division II

Specifications

Enclosure	TEFC
Frame	254T
Frame Material	Iron
Frequency	60.00 Hz
Haz Area Class and Group	CLI GP A,B,C,D
Haz Area Division	Division II
Motor Letter Type	Three Phase
Output @ Frequency	15.000 HP @ 60 HZ
Phase	3
Synchronous Speed @ Frequency	3600 RPM @ 60 HZ
Voltage @ Frequency	575.0 V @ 60 HZ
Agency Approvals	UR NEMA_PREMIUM NEMA PREMIUM CSA EEV CCSA US
Ambient Temperature	40 °C
Auxillary Box	No Auxillary Box
Auxillary Box Lead Termination	None
Base Indicator	Rigid
Bearing Grease Type	Polyrex EM (-20F +300F)
Blower	None
Constant Torque Speed Range	6
Current @ Voltage	13.700 A @ 575.0 V
Design Code	B
Drip Cover	No Drip Cover
Duty Rating	CONT
Efficiency @ 100% Load	91.0 %
Electrically Isolated Bearing	Not Electrically Isolated
Feedback Device	NO FEEDBACK
Haz Area Temp Code	T3C
Heater Indicator	No Heater

Part detail

Revision	D
Type	AC
Mech. spec.	
Base	
Status	PRD/A
Elec. spec.	09WGT162
Layout	09LY-001-224
Eff. date	11-27-2024
CD Diagram	CD0006
Poles	02
Leads	3#12
Proprietary	False
Created date	07-26-2021

High Voltage Full Load Amps	13.7 a
Insulation Class	F
Inverter Code	Inverter Duty
IP Rating	NONE
KVA Code	G
Lifting Lugs	Standard Lifting Lugs
Locked Bearing Indicator	Locked Bearing
Motor Lead Termination	Flying Leads
Motor Standards	NEMA
Motor Type	0934M
Mounting Arrangement	F1
Number of Poles	2
Overall Length	23.36 IN
Power Factor	88
Product Family	General Purpose
Pulley Face Code	Standard
Rodent Screen	None
Service Factor	1.15
Shaft Diameter	1.625 IN
Shaft Ground Indicator	No Shaft Grounding
Shaft Rotation	Reversible
Speed	3525 rpm
Speed Code	Single Speed
Starting Method	Direct on line
Thermal Device - Bearing	None
Thermal Device - Winding	None
Vibration Sensor Indicator	No Vibration Sensor
Winding Thermal 1	None
Winding Thermal 2	None

Nameplate

NP4224L									
CAT.NO.	XT3152T-5				I.P.	54			
SPEC.	09-0000-3320				ENCL	TEFC			
FRAME	254T	H.P.	15		T. CODE	T3C			
VOLTS	575		P.F.	88					
F.L. AMPS	13.7		RATING	40C AMB-CONT					
R.P.M.	3525								
HZ.	60	PH.	3	CLASS	F				
SER.F.	1.15	DES.	B	SL HZ	1.3				
NEMA NOM. EFF.	91	WK2	0.868						
DE	6309	ODE	6208						
MAG. CUR.	4.2								
INV TYPE	PWM	CHP	60	TO	90	INV TEMP CODE	T3C		
CT	6	TO	60	VT	6	TO	60		
CC	010A	SN							

AC Induction Motor Performance Data

Record # 48799

Typical performance - not guaranteed values

Winding: 09WGT162-R001		Type: 0934M		Enclosure: TEFC	
Nameplate Data			575 V, 60 Hz: Single Voltage Motor		
Rated Output (HP)	15	Full Load Torque	22.3 LB-FT		
Volts	575	Start Configuration	direct on line		
Full Load Amps	13.7	Breakdown Torque	93.7 LB-FT		
R.P.M.	3525	Pull-up Torque	30 LB-FT		
Hz	60 Phase	3	Locked-rotor Torque	37.2 LB-FT	
NEMA Design Code	B	KVA Code	G	Starting Current	92.9 A
Service Factor (S.F.)	1.15		No-load Current	4.15 A	
NEMA Nom. Eff.	91.7	Power Factor	88	Line-line Res. @ 25°C	0.994 Ω
Rating - Duty	40C AMB-CONT		Temp. Rise @ Rated Load	57°C	
S.F. Amps			Temp. Rise @ S.F. Load	72°C	
			Locked-rotor Power Factor	29	
			Rotor inertia	0.868 lb-ft ²	

Load Characteristics 575 V, 60 Hz, 15 HP

% of Rated Load	25	50	75	100	125	150	S.F.
Power Factor	61	80	87	89	90	90	90
Efficiency	86.8	90.9	92.1	91.9	91.1	90.2	91.4
Speed	3582	3564	3546	3527	3506	3483	3514
Line amperes	5.39	7.71	10.5	13.7	17	20.5	15.7

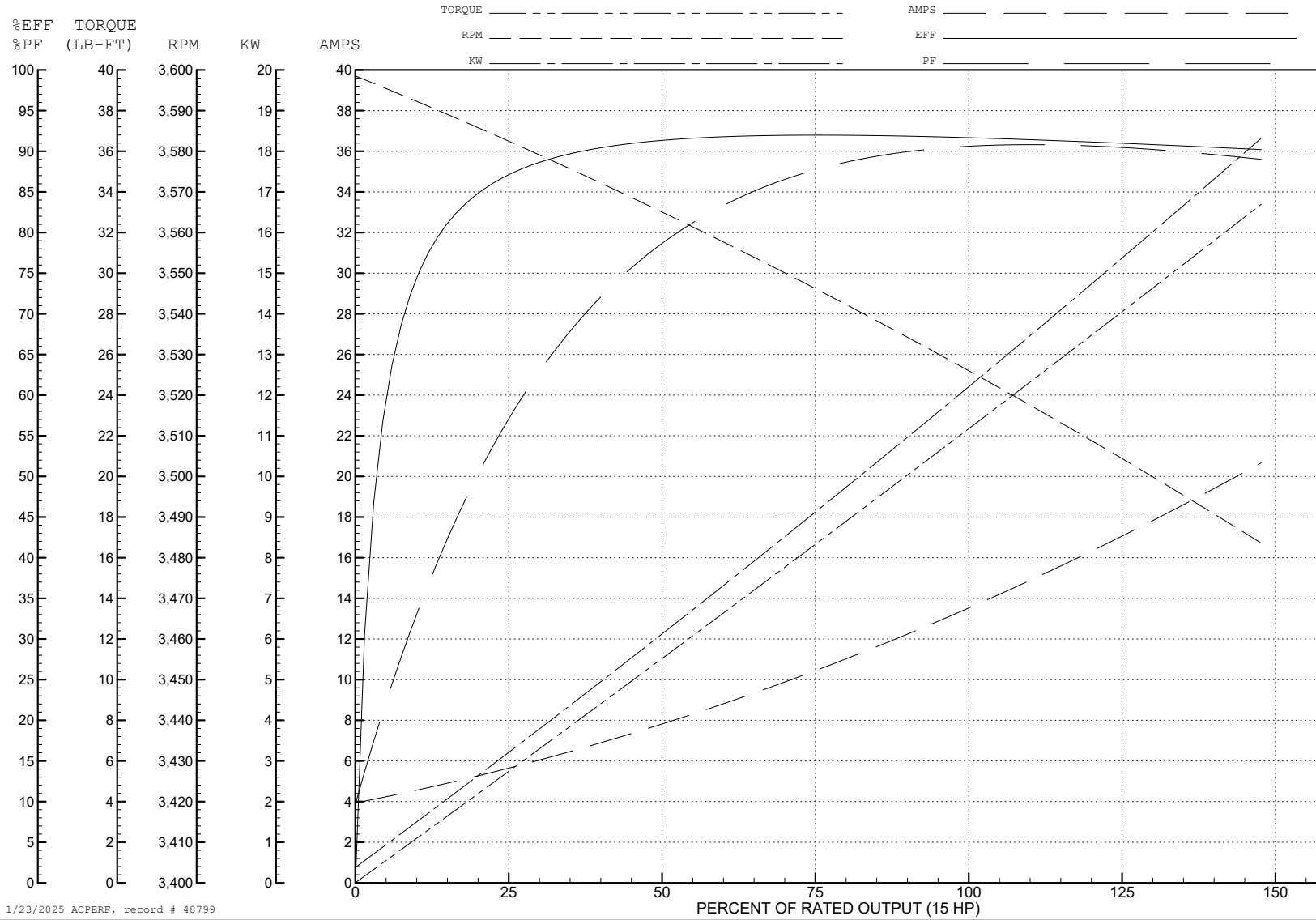
ABB Motors and Mechanical Inc.

WINDING # 09WGT162

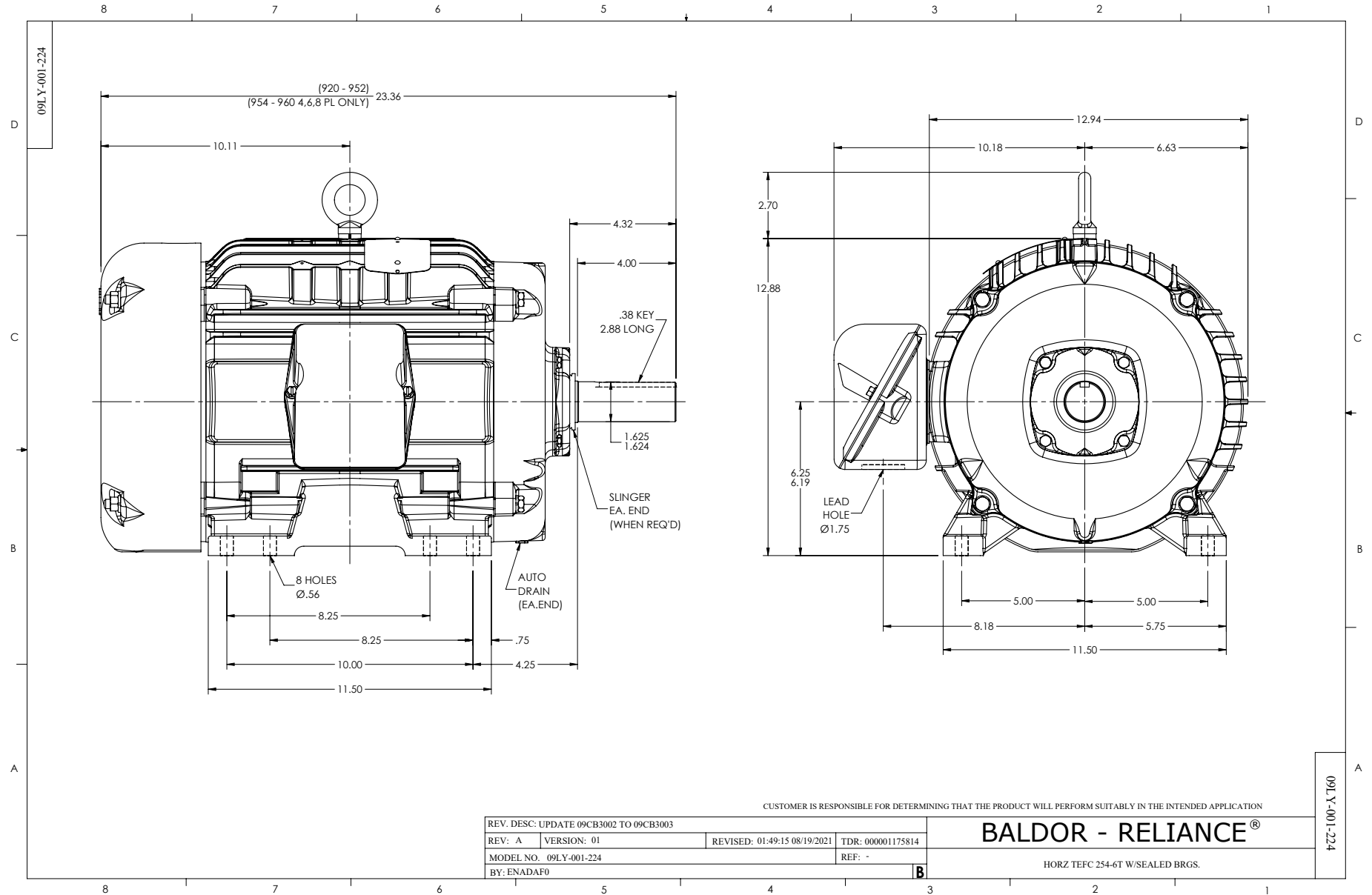
Typical performance - not guaranteed values.

15 HP 3 PH 60 HZ 3525 RPM 575 V 0934M

TORQUES (LB-FT): PO=93.7 PU=30 LR=37.2 LRA=92.9



1/23/2025 ACPERF, record # 48799



CD0006



NOTES:

1. THREE LEAD MOTOR MAY BE EITHER WYE CONNECTED OR DELTA CONNECTED.
2. INTERCHANGE ANY TWO LINE LEADS TO REVERSE ROTATION.
3. OPTIONAL THERMOSTATS ARE PROVIDED WHEN SPECIFIED.
4. ACTUAL NUMBER OF INTERNAL PARALLEL CIRCUITS MAY VARY.
5. LEAD COLORS ARE OPTIONAL. LEADS MUST BE NUMBERED AS SHOWN.

CD0006

REV. DESC: ADD CLASS CONN00000007		
REV. LTR: E	VERSION: 01	TDR: 000001099922
FILE: \AAA\00005\141	REVISED: 10:24:49 02/19/2019	BY: ENBRIRO
MTL: -	© □	

BALDOR - RELIANCE®

3PH, SV, 3 LEADS, WYE OR DELTA CONNECTED

SH 1 of 1