



Customer information packet

XT31506T-5

150HP, 1190RPM, 3PH, 60HZ, 447T, A44120M, TEFC

Class - None

Division - Division II

Specifications

Enclosure	TEFC
Frame	447T
Frame Material	Iron
Frequency	60.00 Hz
Haz Area Class and Group	None
Haz Area Division	Division II
Motor Letter Type	Three Phase
Output @ Frequency	150.000 HP @ 60 HZ
Phase	3
Synchronous Speed @ Frequency	1200 RPM @ 60 HZ
Voltage @ Frequency	575.0 V @ 60 HZ
Agency Approvals	UR NEMA_PREMIUM NEMA PREMIUM CCSAUSEEV
Ambient Temperature	40 °C
Auxillary Box	No Auxillary Box
Base Indicator	Rigid
Bearing Grease Type	Polyrex EM (-20F +300F)
Current @ Voltage	136.000 A @ 575.0 V
Design Code	B
Drip Cover	No Drip Cover
Duty Rating	CONT
Efficiency @ 100% Load	95.8 %
Feedback Device	NO FEEDBACK
Heater Indicator	No Heater
High Voltage Full Load Amps	136.0 a
Insulation Class	F
Inverter Code	Inverter Ready
IP Rating	NONE
KVA Code	F
Max Speed	2700 rpm

Part detail

Revision	A
Type	AC
Mech. spec.	
Base	
Status	PRD/A
Elec. spec.	A44WG1357
Layout	617435-137
Eff. date	07-08-2024
CD Diagram	416820-036
Poles	06
Leads	3#1
Proprietary	False
Created date	07-13-2021

Motor Lead Quantity/Wire Size	3 @ 1 AWG
Motor Standards	NEMA
Motor Type	A44120M
Mounting Arrangement	F1
Number of Poles	6
Overall Length	48.22 IN
Power Factor	86
Product Family	General Industrial
Pulley End Bearing Type	Ball
Pulley Face Code	Standard
Service Factor	1.15
Shaft Diameter	3.375 IN
Shaft Ground Indicator	No Shaft Grounding
Shaft Rotation	Reversible
Shaft Slinger Indicator	Shaft Slinger
Speed	1190 rpm
Speed Code	Single Speed
Starting Method	Direct on line
Thermal Device - Bearing	None
Thermal Device - Winding	None

Nameplate

NP4152LUA

CAT #	XT31506T-5			SER				CC	010A			
SPEC	A44-0001-1357			RATING	40C AMB-CONT							
HZ	VOLTS		AMPS	RPM	HP	CODE	SF	DES	PF	NEMA NOM. EFF		
60	575		136	1190	150	F	1.15	B	86 %	95.8 %		
									%	%		
PH	3	CL	F	MAX RPM	2700	MAX CORR KVAR	25					
BRG	DE	6318	ODE	6318	ENCL	TEFC	FR	447T	IP	54		
GREASE	POLYREX EM			MTR WT			LBS					
	CL I DIV 2 GRPS A,B,C,D			CL I ZONE 2 GRPS			IIA,IIB,IIC		TEMP T	200	C	
INV READY	CT	4:1	HZ	15-60	VT	1000:1	HZ	0-60	CHP	1:1.5	HZ	60-90
INV TEMP CL	T3	C	USABLE AT	N/A								

DUTY MASTER ALTERNATING CURRENT MOTORS
SQUIRREL-CAGE INDUCTION

617435-137

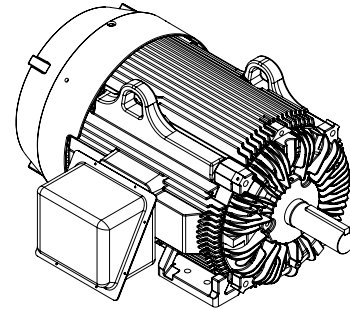
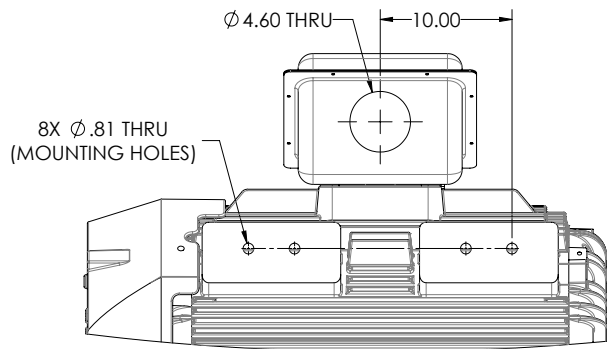
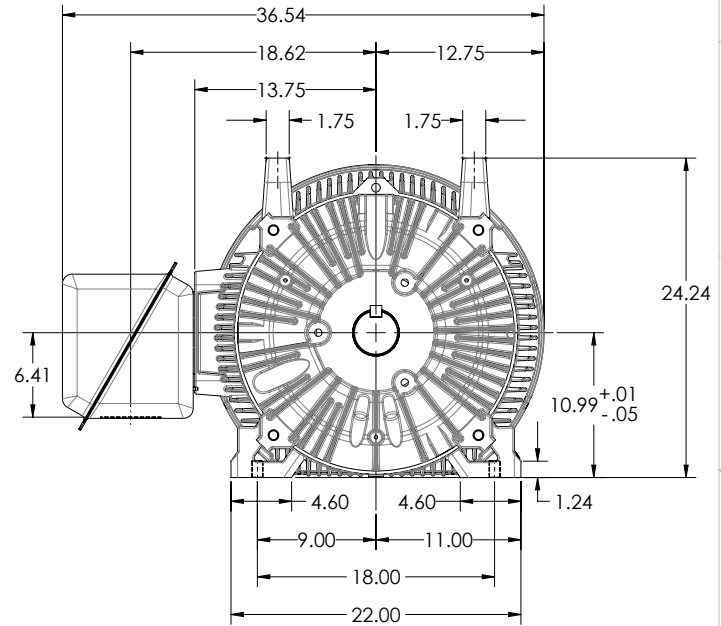
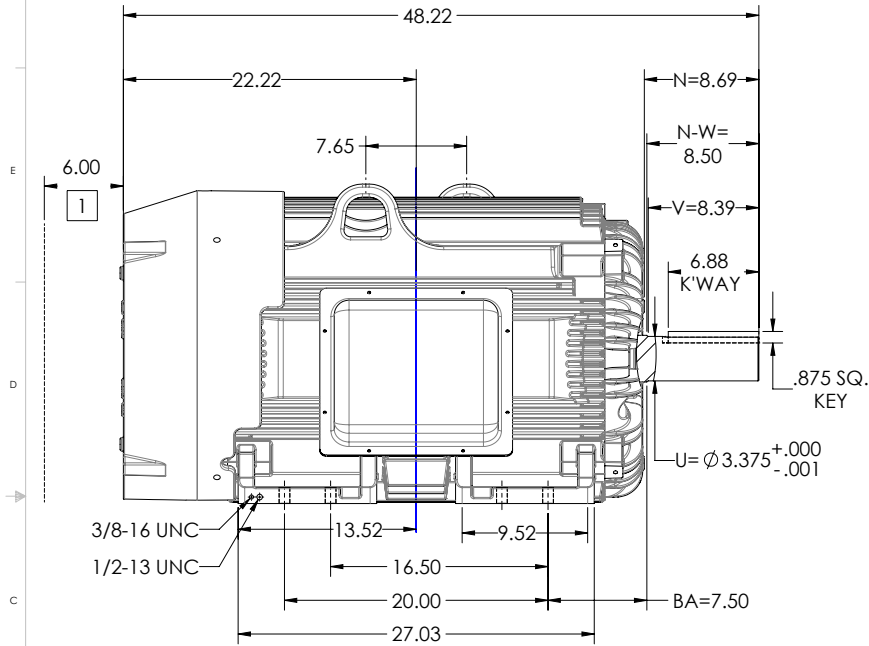
ENCLOSURE: TOTALLY ENCLOSED

MOUNTING: FOOT, F1

G447T/G445T FRAME MOUNTING HOLES

COOLING: FAN COOLED

STEEL CONDUIT BOX



1 OBSTRUCTION MUST NO ENCR OACH ON AIR INLET

SHEET NUMBER
1 OF 1
L&T-554219

IF MOUNTING CLEARANCE DETAILS ARE REQUIRED, CONSULT FACTORY.
MAXIMUM PERMISSIBLE SHAFT RUNOUT WHEN MEASURED AT END OF
STANDARD SHAFT EXTENSION IS .003

DIMENSIONS ARE IN INCHES.
WEIGHT (LBS): 2515, MOTOR WEIGHTS MAY VARY BY 15% DEPENDING ON RATING.
CUSTOMER IS RESPONSIBLE FOR DETERMINING THAT MOTOR PERFORMANCE IS SUITABLE IN THE APPLICATION.

REV. DESC: NEW DRAWING			
REV: -	VERSION: 00	REVISED: 11-29-02 06/27/2016	TDR: 00000984408
MODEL NO. 617435-137		REF: -	
BY: USJEDL	Material: -		

BALDOR

G447T/445T TEFC F1 FOOTED SIDE/CENTER STEEL CONDUIT BOX

617435-137

416820-036

A-C MOTOR
CONNECTION DIAGRAM
STANDARD 3 LEAD CONNECTED



(N.P. 1575-BA)

416820-036

REV. DESC: LOADED TO BUS, C/R 335225		
REV. LTR: -	VERSION: 00	TDR: 000000538207
FILE: \MGA\00000\682	REVISED: 11: 54: 06 04/30/2010	
MTL: -	BY: RAGRA	

BALDOR

CONN DIAG - STANDARD 3 LEAD
SH 1 of 1