



---

# Customer information packet

## XT31504T-5

150HP, 1785RPM, 3PH, 60HZ, 445T, TEFC, F1

Class - None

Division - Division II

## Specifications

Enclosure	TEFC
Frame	445T
Frame Material	Iron
Frequency	60.00 Hz
Haz Area Class and Group	None
Haz Area Division	Division II
Motor Letter Type	Three Phase
Output @ Frequency	150.000 HP @ 60 HZ
Phase	3
Synchronous Speed @ Frequency	1800 RPM @ 60 HZ
Voltage @ Frequency	575.0 V @ 60 HZ
Agency Approvals	UR NEMA_PREMIUM NEMA PREMIUM CCSAUSEEV
Ambient Temperature	40 °C
Auxillary Box	No Auxillary Box
Base Indicator	Rigid
Bearing Grease Type	Polyrex EM (-20F +300F)
Current @ Voltage	135.000 A @ 575.0 V
Design Code	B
Drip Cover	No Drip Cover
Duty Rating	CONT
Efficiency @ 100% Load	95.8 %
Feedback Device	NO FEEDBACK
Heater Indicator	No Heater
High Voltage Full Load Amps	135.0 a
Insulation Class	F
Inverter Code	Inverter Ready
IP Rating	NONE
KVA Code	F
Max Speed	3600 rpm

## Part detail

Revision	A
Type	AC
Mech. spec.	
Base	
Status	PRD/A
Elec. spec.	A44WG3784
Layout	617427-476
Eff. date	07-08-2024
CD Diagram	416820-036
Poles	04
Leads	3#1
Proprietary	False
Created date	07-13-2021

<b>Motor Lead Quantity/Wire Size</b>	3 @ 1 AWG
<b>Motor Standards</b>	NEMA
<b>Motor Type</b>	A4488M
<b>Mounting Arrangement</b>	F1
<b>Number of Poles</b>	4
<b>Overall Length</b>	44.97 IN
<b>Power Factor</b>	86
<b>Product Family</b>	General Industrial
<b>Pulley End Bearing Type</b>	Ball
<b>Pulley Face Code</b>	Standard
<b>Service Factor</b>	1.15
<b>Shaft Diameter</b>	3.375 IN
<b>Shaft Ground Indicator</b>	No Shaft Grounding
<b>Shaft Rotation</b>	Reversible
<b>Shaft Slinger Indicator</b>	Shaft Slinger
<b>Speed</b>	1785 rpm
<b>Speed Code</b>	Single Speed
<b>Starting Method</b>	Direct on line
<b>Thermal Device - Bearing</b>	None
<b>Thermal Device - Winding</b>	None

**Nameplate**

**NP4152LUA**

<b>CAT #</b>	XT31504T-5			<b>SER</b>				<b>CC</b>	010A			
<b>SPEC</b>	A44-0002-3784			<b>RATING</b>	40C AMB-CONT							
<b>HZ</b>	<b>VOLTS</b>		<b>AMPS</b>	<b>RPM</b>	<b>HP</b>	<b>CODE</b>	<b>SF</b>	<b>DES</b>	<b>PF</b>	<b>NEMA NOM. EFF</b>		
60	575		135	1785	150	F	1.15	B	86 %	95.8 %		
									%	%		
<b>PH</b>	3	<b>CL</b>	F	<b>MAX RPM</b>	3600	<b>MAX CORR KVAR</b>	30					
<b>BRG</b>	<b>DE</b>	6318	<b>ODE</b>	6318	<b>ENCL</b>	TEFC	<b>FR</b>	445T	<b>IP</b>	54		
<b>GREASE</b>	POLYREX EM			<b>MTR WT</b>			<b>LBS</b>					
	<b>CL I DIV 2 GRPS A,B,C,D</b>			<b>CL I ZONE 2 GRPS</b>			<b>IIA,IIB,IIC</b>		<b>TEMP T</b>	200	<b>C</b>	
<b>INV READY</b>	<b>CT</b>	4:1	<b>HZ</b>	15-60	<b>VT</b>	1000:1	<b>HZ</b>	0-60	<b>CHP</b>	1:1.5	<b>HZ</b>	60-90
<b>INV TEMP CL</b>	T3	<b>C</b>	<b>USABLE AT</b>	N/A								







617427-476

**DUTY MASTER ALTERNATING CURRENT MOTORS**  
SQUIRREL-CAGE INDUCTION

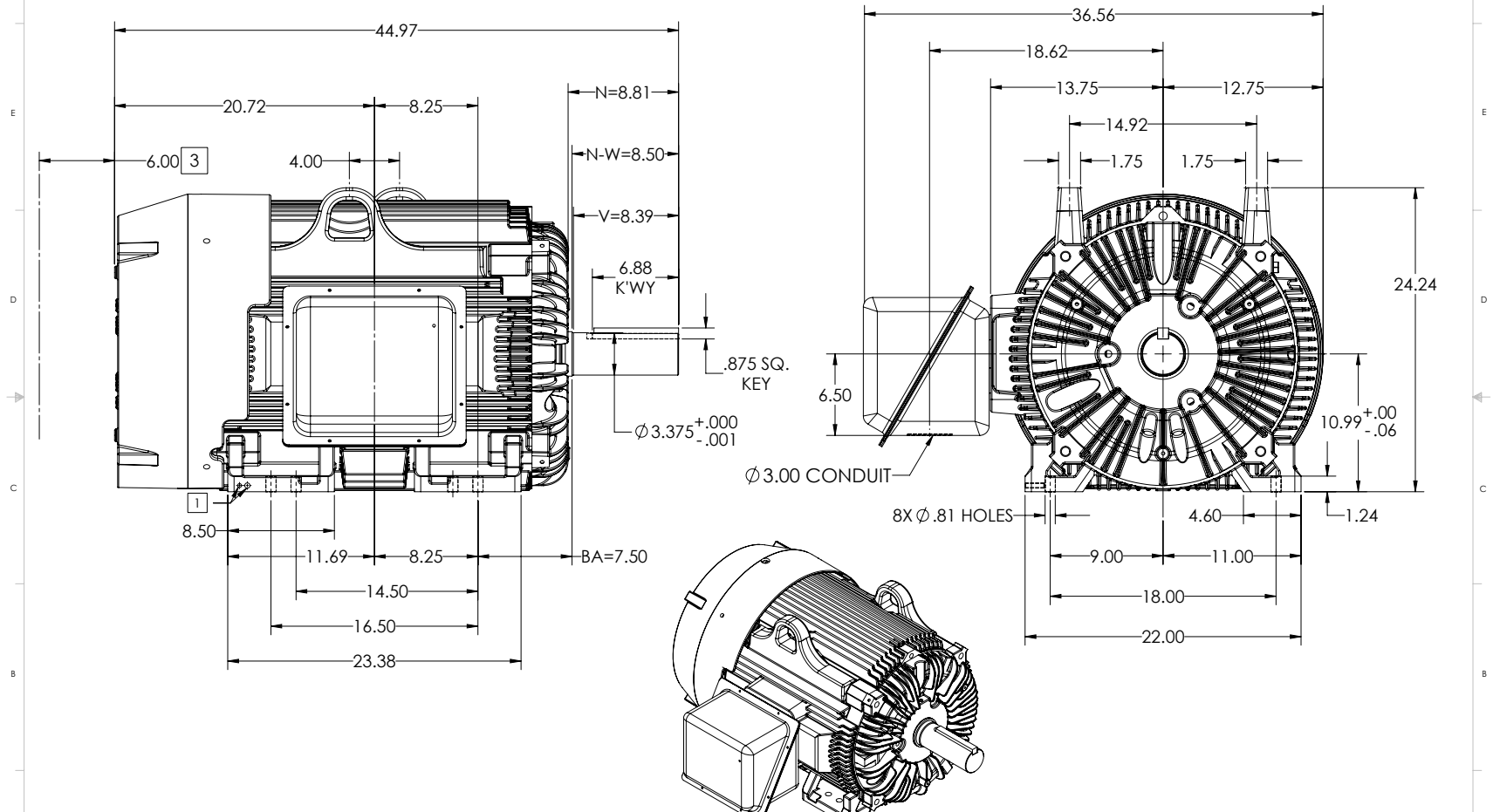
ENCLOSURE: TOTALLY ENCLOSED

MOUNTING: FOOT, F-1 SIDE

FRAME G444T  
INCLUDES G445T FRAME MOUNTING HOLES

STEEL MAIN CONDUIT BOX

COOLING: FAN COOLED



- 1 GROUND HOLES QTY 1 1/2-13 TAP; QTY 1 3/8-16 TAP
- 2 MOTOR WEIGHTS MAY VARY BY 15% DEPENDING ON RATING.
- 3 OBSTRUCTION MUST NOT ENCROACH ON AIR INLET

2 WEIGHT (LBS): 2130

DIMENSIONS ARE IN INCHES  
CUSTOMER IS RESPONSIBLE FOR DETERMINING THAT MOTOR PERFORMANCE IS SUITABLE IN THE APPLICATION.

SHEET NUMBER  
**1 OF 1**  
9LF-272119

IF MOUNTING CLEARANCE DETAILS ARE REQUIRED, CONSULT FACTORY.  
MAXIMUM PERMISSIBLE SHAFT RUNOUT WHEN MEASURED AT END OF  
STANDARD SHAFT EXTENSION IS .003" T.I.R. TO 5 INCH DIA.

REV. DESC: NEW DRAWING	VERSION: 00	REVISED: 10/03/28 04/18/2015	TDR: 00000919063
MODEL NO. 617427-476	BY: RAGRA	Material:	REF:

**BALDOR**

G445T-444T TEFC FT - SD/CNTR - STEEL C/BOX

617427-476



416820-036

A-C MOTOR  
CONNECTION DIAGRAM  
STANDARD 3 LEAD CONNECTED



(N.P. 1575-BA)

416820-036

REV. DESC: LOADED TO BUS, C/R 335225		
REV. LTR: -	VERSION: 00	TDR: 000000538207
FILE: \MGA\00000\682	REVISED: 11:54:06 04/30/2010	
MTL: -	BY: RAGRA	

**BALDOR**

CONN DIAG - STANDARD 3 LEAD  
SH 1 of 1