



Customer information packet

XT3106T

10HP, 1180RPM, 3PH, 60HZ, 256T, 0960M, TEFC, F1

Class - CLI GP A,B,C,D

Division - Division II

Specifications

Enclosure	TEFC
Frame	256T
Frame Material	Iron
Frequency	60.00 Hz
Haz Area Class and Group	CL I GP A,B,C,D
Haz Area Division	Division II
Motor Letter Type	Three Phase
Output @ Frequency	10.000 HP @ 60 HZ
Phase	3
Synchronous Speed @ Frequency	1200 RPM @ 60 HZ
Voltage @ Frequency	460.0 V @ 60 HZ 230.0 V @ 60 HZ
Agency Approvals	CCSA US CSA EEV NEMA PREMIUM NEMA_PREMIUM UR
Ambient Temperature	40 °C
Auxillary Box	No Auxillary Box
Auxillary Box Lead Termination	None
Base Indicator	Rigid
Bearing Grease Type	Polyrex EM (-20F +300F)
Blower	None
Constant Torque Speed Range	3
Current @ Voltage	30.000 A @ 208.0 V 28.200 A @ 230.0 V 14.100 A @ 460.0 V
Design Code	B
Drip Cover	No Drip Cover
Duty Rating	CONT
Efficiency @ 100% Load	91.0 %
Electrically Isolated Bearing	Not Electrically Isolated

Part detail

Revision	H
Type	AC
Mech. spec.	
Base	
Status	PRD/A
Elec. spec.	09WGT193
Layout	09LY-001-224
Eff. date	06-28-2024
CD Diagram	CD0005
Poles	06
Leads	9#12
Proprietary	False
Created date	11-04-2020

Feedback Device	NO FEEDBACK
Haz Area Temp Code	T3A
Heater Indicator	No Heater
High Voltage Full Load Amps	14.1 a
Insulation Class	F
Inverter Code	Inverter Duty
IP Rating	NONE
KVA Code	H
Lifting Lugs	Standard Lifting Lugs
Locked Bearing Indicator	Locked Bearing
Motor Lead Termination	Flying Leads
Motor Standards	NEMA
Motor Type	0960M
Mounting Arrangement	F1
Number of Poles	6
Overall Length	23.36 IN
Power Factor	72
Product Family	General Purpose
Pulley Face Code	Standard
Rodent Screen	None
Service Factor	1.15
Shaft Diameter	1.625 IN
Shaft Ground Indicator	No Shaft Grounding
Shaft Rotation	Reversible
Speed	1180 rpm
Speed Code	Single Speed
Starting Method	Direct on line
Thermal Device - Bearing	None
Thermal Device - Winding	None
Vibration Sensor Indicator	No Vibration Sensor
Winding Thermal 1	None
Winding Thermal 2	None

Nameplate

NP4163L										
CAT.NO.	XT3106T					I.P.	54			
SPEC.	09-0000-2718					ENCL	TEFC			
FRAME	256T		H.P.	10						
VOLTS	230/460		P.F.	72						
F.L. AMPS	28.2/14.1		RATING	40C AMB-CONT						
R.P.M.	1180									
HZ.	60		PH.	3		CLASS	F			
SER.F.	1.15		DES.	B		SL HZ	1			
NEMA NOM. EFF.	91		WK2	4.82						
DE	6309		ODE	6208						
MAG. CUR.	13/6.5									
INV TYPE	PWM	CHP	60		TO	90		T. CODE	T3A	
CT	3	TO	60		VT	3		TO	60	
CC	010A		SN							
USABLE AT 50HZ 7.5 HP 190/380V										
26.2/13.1 A										

AC Induction Motor Performance Data

Record # 56878

Typical performance - not guaranteed values

Winding: 09WGT193-R008		Type: 0960M	Enclosure: TEFC	
Nameplate Data			460 V, 60 Hz: High Voltage Connection	
Rated Output (HP)	10	Full Load Torque	44.3 LB-FT	
Volts	230/460	Start Configuration	direct on line	
Full Load Amps	28.2/14.1	Breakdown Torque	121 LB-FT	
R.P.M.	1180	Pull-up Torque	50.6 LB-FT	
Hz	60 Phase	3	Locked-rotor Torque	67 LB-FT
NEMA Design Code	B KVA Code	H	Starting Current	81 A
Service Factor (S.F.)		1	No-load Current	6.84 A
NEMA Nom. Eff.	91 Power Factor	72	Line-line Res. @ 25°C	0.746 Ω
Rating - Duty	40C AMB-CONT		Temp. Rise @ Rated Load	38°C
			Locked-rotor Power Factor	24.9
			Rotor inertia	4.82 LB-FT ²

Load Characteristics 460 V, 60 Hz, 10 HP

% of Rated Load	25	50	75	100	125	150
Power Factor	36	57	67	72	74	75
Efficiency	85.8	90.7	91.9	91.7	91.1	89.4
Speed	1195	1191	1186	1181	1174	1166
Line amperes	7.45	9.13	11.4	14.1	17.3	21.1

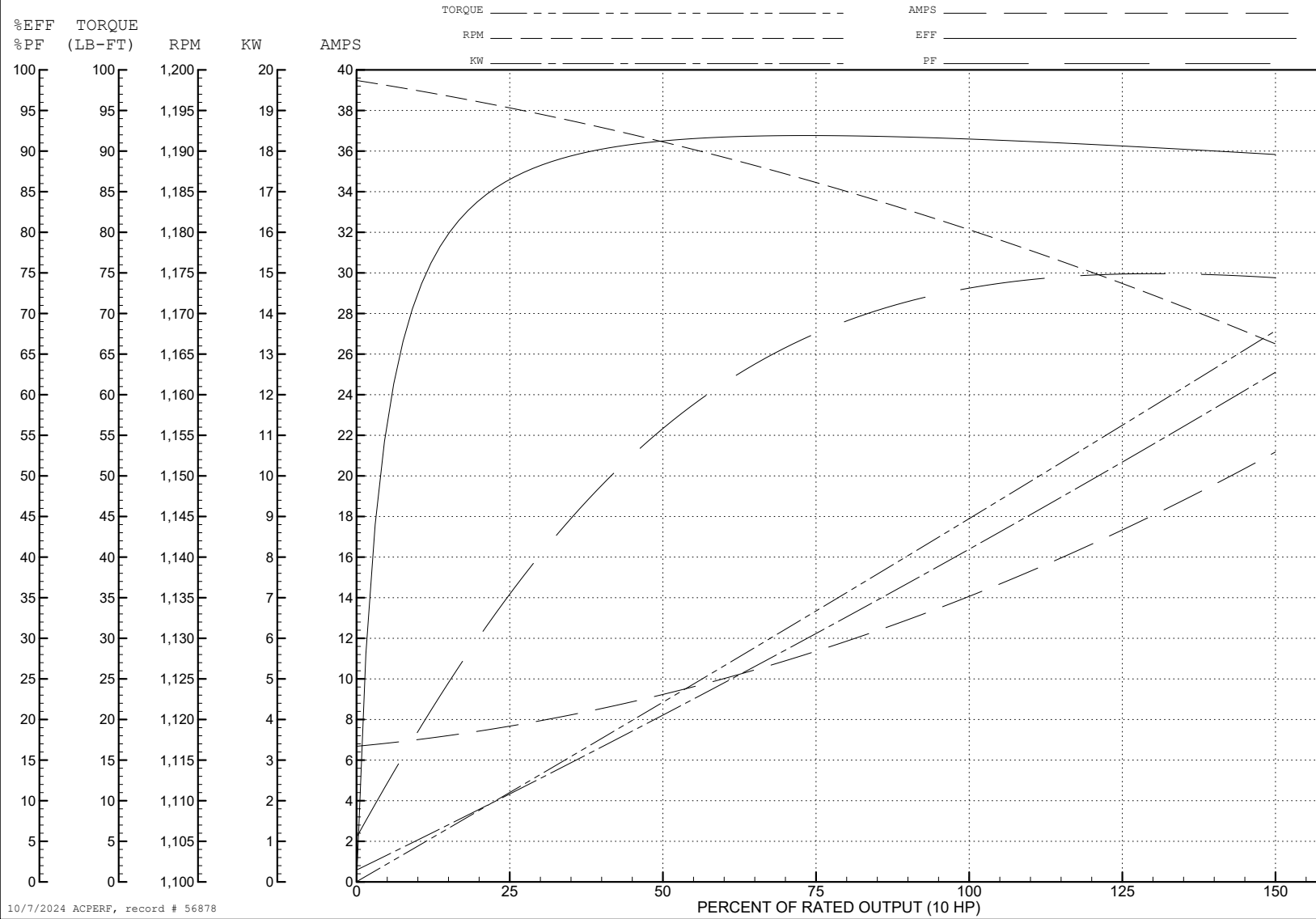
ABB Motors and Mechanical Inc.

WINDING # 09WGT193

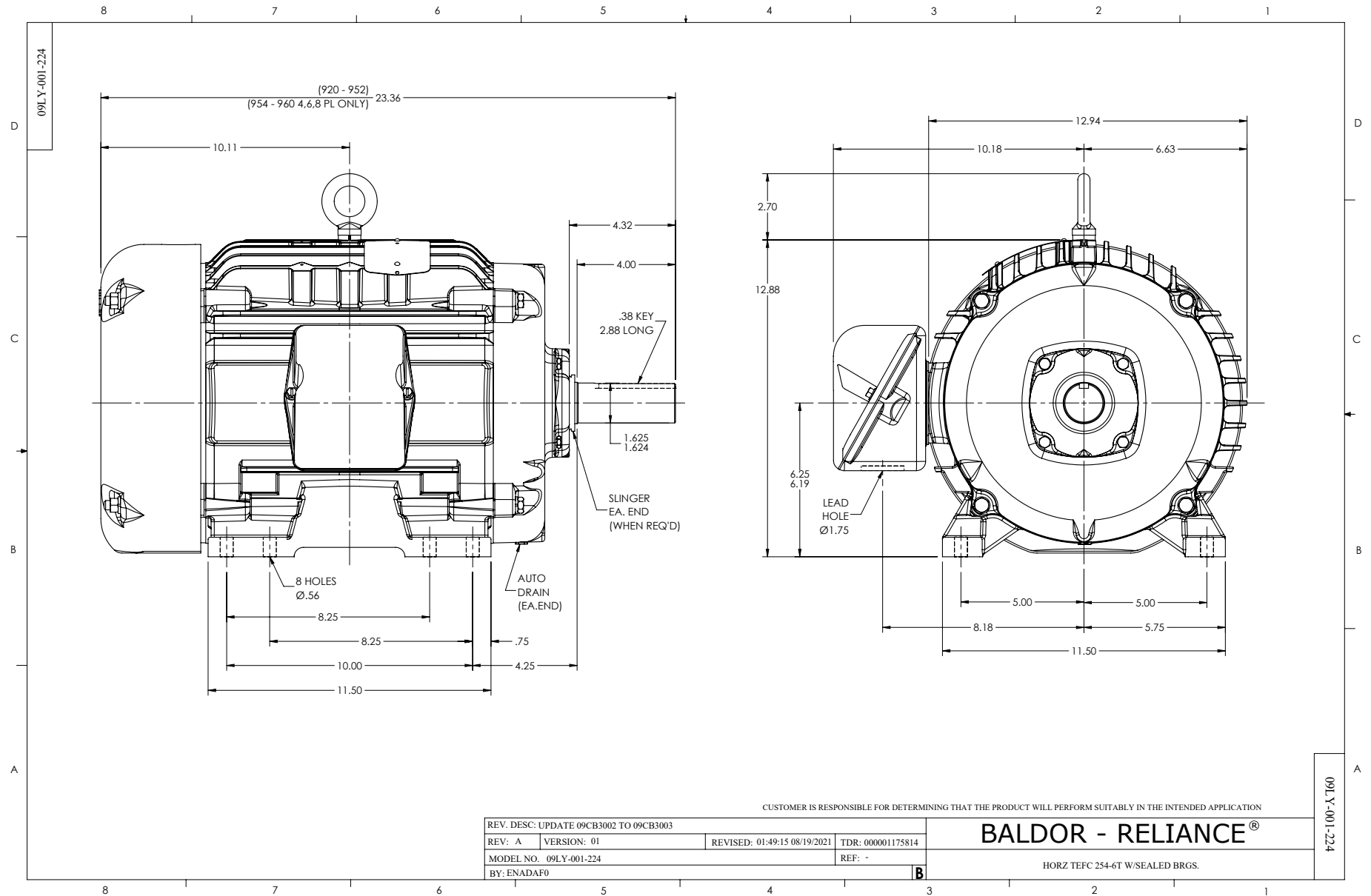
Typical performance - not guaranteed values.

10 HP 3 PH 60 HZ 1180 RPM 460 V 0960M

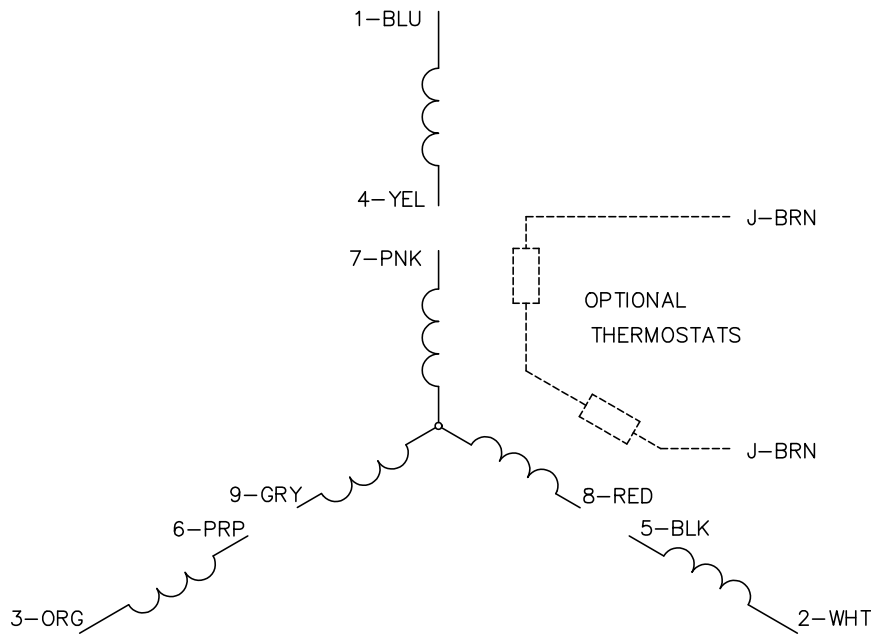
TORQUES (LB-FT): PO=121 PU=50.6 LR=67 LRA=81



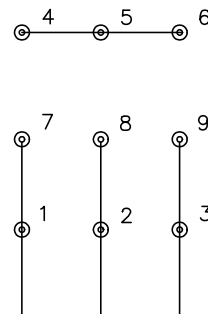
10/7/2024 ACPERF, record # 56878



CD0005



LOW VOLTAGE
(2Y)



LINE

HIGH VOLTAGE
(1Y)



LINE

NOTES:

1. INTERCHANGE ANY TWO LINE LEADS TO REVERSE ROTATION.
2. OPTIONAL THERMOSTATS ARE PROVIDED WHEN SPECIFIED.
3. ACTUAL NUMBER OF INTERNAL PARALLEL CIRCUITS MAY BE A MULTIPLE OF THOSE SHOWN ABOVE.
4. LEAD COLORS ARE OPTIONAL. LEADS MUST ALWAYS BE NUMBERED AS SHOWN.

CD0005

REV. DESC: REVISE TO SHOW OPTIONAL COLORS			
REV. LTR: E	BY: JLP	REVISED: 01/19/99 10:15	TDR: 0171435
S00000		FILE: AAA00005140	MDL: -
		MTL: -	

BALDOR ELECTRIC Co.

3PH, DV, 9 LEADS