



Customer information packet

XT30154T-5

1.5HP, 1768RPM, 3PH, 60HZ, 145T, 0522M, TEFC, F
Class - CLI GP A,B,C,D
Division - Division II

Specifications

Enclosure	TEFC
Frame	145T
Frame Material	Iron
Frequency	60.00 Hz
Haz Area Class and Group	CLI GP A,B,C,D
Haz Area Division	Division II
Motor Letter Type	Three Phase
Output @ Frequency	1.500 HP @ 60 HZ
Phase	3
Synchronous Speed @ Frequency	1800 RPM @ 60 HZ
Voltage @ Frequency	575.0 V @ 60 HZ
Agency Approvals	CCSA US CSA EEV NEMA PREMIUM NEMA_PREMIUM UR
Ambient Temperature	40 °C
Auxillary Box	No Auxillary Box
Auxillary Box Lead Termination	None
Base Indicator	Rigid
Bearing Grease Type	Polyrex EM (-20F +300F)
Blower	None
Constant Torque Speed Range	3
Current @ Voltage	1.710 A @ 575.0 V
Design Code	B
Drip Cover	No Drip Cover
Duty Rating	CONT
Efficiency @ 100% Load	86.5 %
Electrically Isolated Bearing	Electrically Isolated Bearings
Feedback Device	NO FEEDBACK
Front Shaft Indicator	None
Haz Area Temp Code	T4

Part detail

Revision	A
Type	AC
Mech. spec.	05H396
Base	
Status	PRD/A
Elec. spec.	05WGX559
Layout	05LYH396
Eff. date	11-27-2024
CD Diagram	CD0006
Poles	04
Leads	3#18
Proprietary	False
Created date	12-20-2023

Heater Indicator	No Heater
High Voltage Full Load Amps	1.7 a
Insulation Class	F
Inverter Code	Inverter Duty
KVA Code	L
Lifting Lugs	No Lifting Lugs
Locked Bearing Indicator	No Locked Bearing
Motor Lead Quantity/Wire Size	3 @ 18 AWG
Motor Lead Termination	Flying Leads
Motor Standards	NEMA
Motor Type	0522M
Mounting Arrangement	F1
Number of Poles	4
Overall Length	12.54 IN
Power Factor	76
Product Family	General Purpose
Pulley End Bearing Type	Sealed Bearing
Pulley Face Code	Standard
Pulley Shaft Indicator	Standard
Rodent Screen	None
RoHS Status	ROHS COMPLIANT
Service Factor	1.15
Shaft Diameter	0.875 IN
Shaft Ground Indicator	No Shaft Grounding
Shaft Rotation	Reversible
Shaft Slinger Indicator	No Slinger
Speed	1768 rpm
Speed Code	Single Speed
Starting Method	Direct on line
Thermal Device - Bearing	None
Thermal Device - Winding	None
Vibration Sensor Indicator	No Vibration Sensor
Winding Thermal 1	None
Winding Thermal 2	None

Nameplate

NP4224L									
CAT.NO.	XT30154T-5				I.P.	54			
SPEC.	05H396X559G1				ENCL	TEFC			
FRAME	145T	H.P.	1.5		T. CODE	T4			
VOLTS	575		P.F.	76					
F.L. AMPS	1.71		RATING	40C AMB-CONT					
R.P.M.	1768								
HZ.	60	PH.	3	CLASS	F				
SER.F.	1.15	DES.	B	SL HZ	1.07				
NEMA NOM. EFF.	86.5	WK2	0.159						
DE	6205	ODE	6203						
MAG. CUR.	1.05								
INV TYPE	PWM	CHP	60	TO	90	INV TEMP CODE	T4		
CT	3	TO	60	VT	3	TO	60		
CC	010A	SN							
	1.15 SF ON SINE WAVE								

AC Induction Motor Performance Data

Record # 99855

Typical performance - not guaranteed values

Winding: 05WGX559-R006		Type: 0522M		Enclosure: TEFC	
Nameplate Data			575 V, 60 Hz: Single Voltage Motor		
Rated Output (HP)	1.5	Full Load Torque	4.46 LB-FT		
Volts	575	Start Configuration	direct on line		
Full Load Amps	1.71	Breakdown Torque	16.7 LB-FT		
R.P.M.	1768	Pull-up Torque	9.8 LB-FT		
Hz	60	Locked-rotor Torque	11.4 LB-FT		
NEMA Design Code	B	Starting Current	14.2 A		
Service Factor (S.F.)	1.15	No-load Current	1.05 A		
NEMA Nom. Eff.	86.5	Line-line Res. @ 25°C	22 Ω		
Rating - Duty	40C	Temp. Rise @ Rated Load	34°C		
S.F. Amps	AMB-CONT	Temp. Rise @ S.F. Load	40°C		
		Locked-rotor Power Factor	61		
		Rotor inertia	0.159 lb-ft ²		

Load Characteristics 575 V, 60 Hz, 1.5 HP

% of Rated Load	25	50	75	100	125	150	S.F.
Power Factor	35	54	67	76	81	84	79
Efficiency	75.8	83.9	86.1	86.4	85.5	84.2	85.9
Speed	1791	1784	1776	1768	1758	1748	1762
Line amperes	1.1	1.24	1.45	1.72	2.03	2.38	1.91

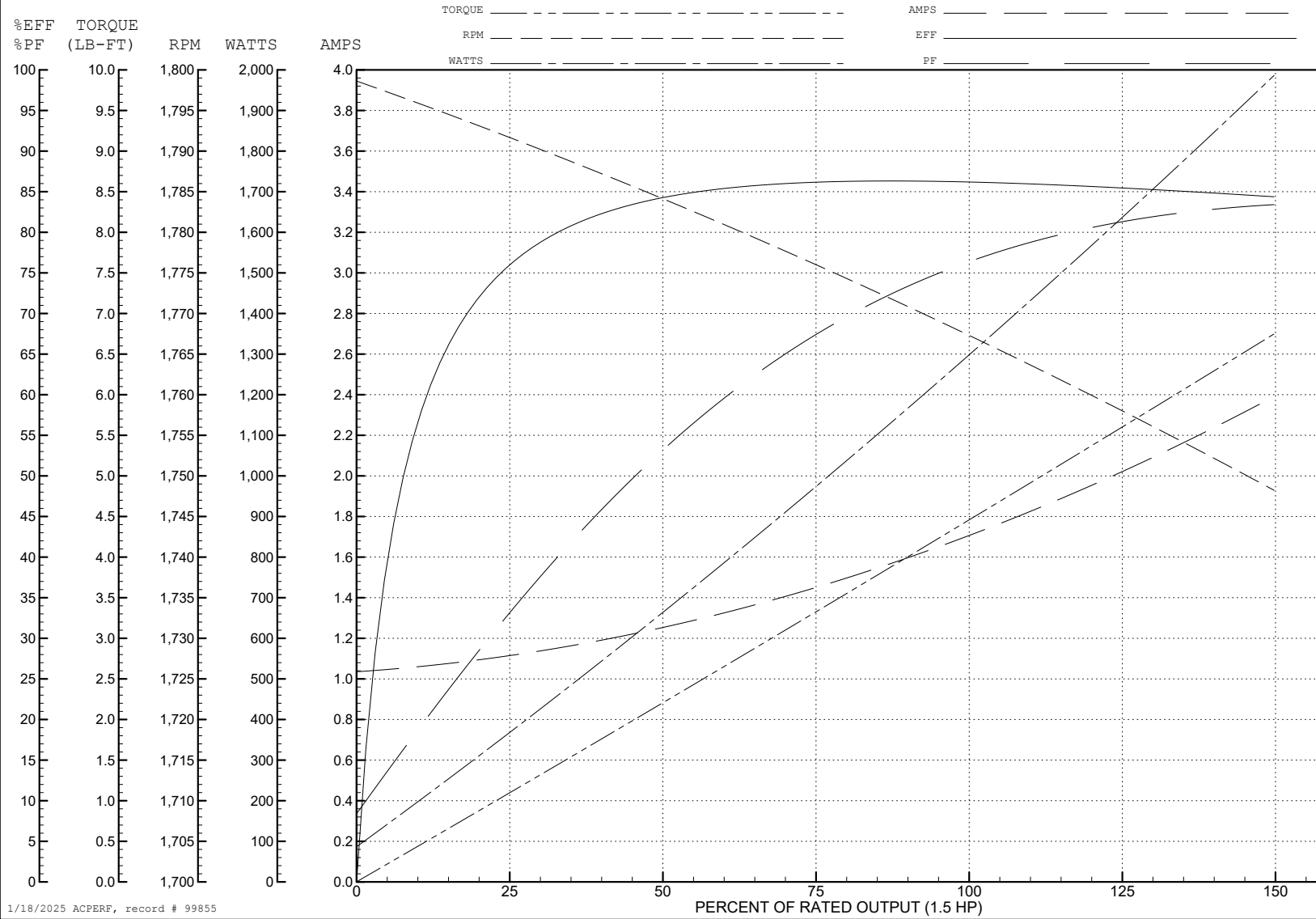
ABB Motors and Mechanical Inc.

WINDING # 05WGX559

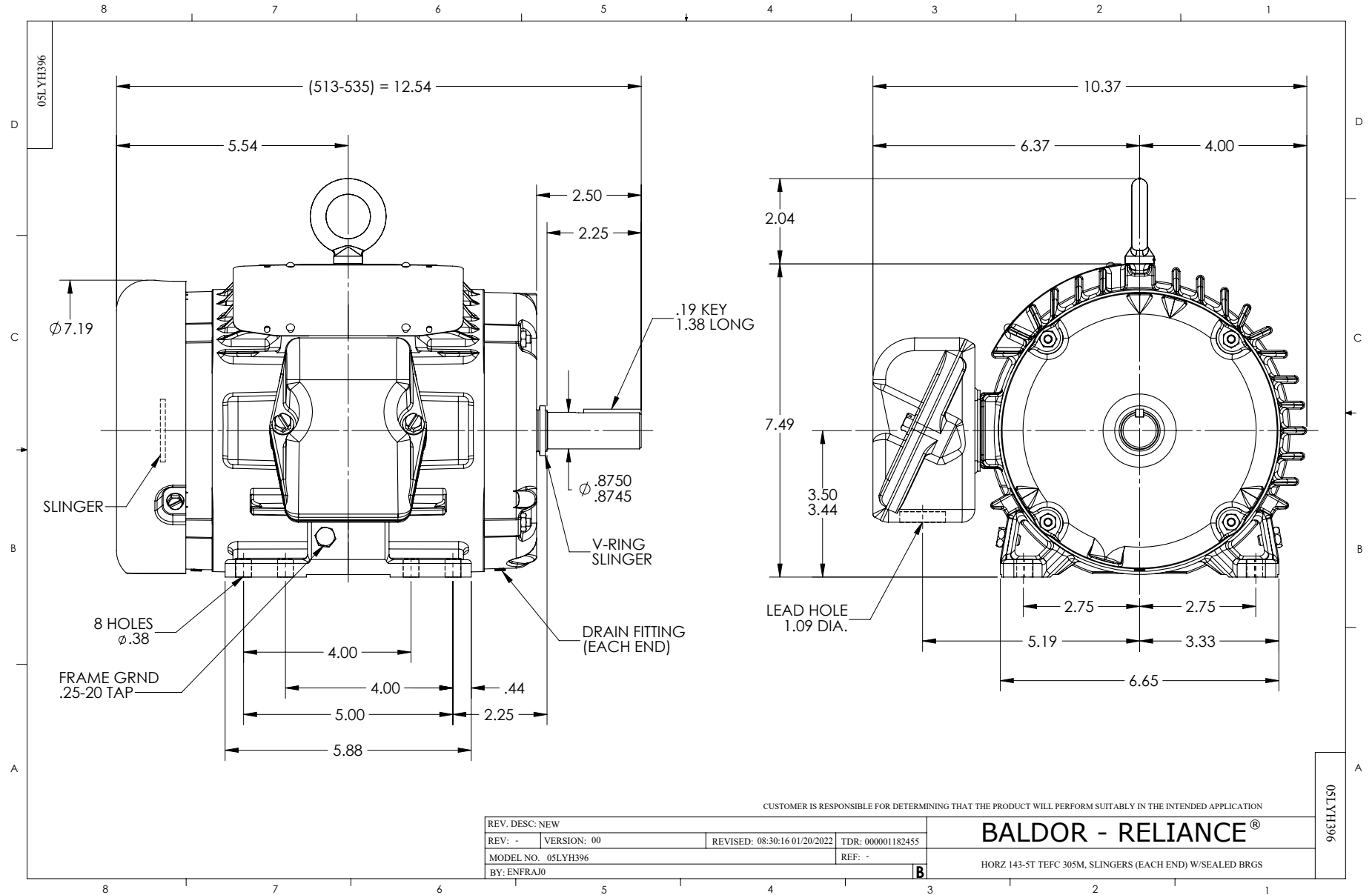
1.5 HP 3 PH 60 HZ 1768 RPM 575 V 0522M

Typical performance - not guaranteed values.

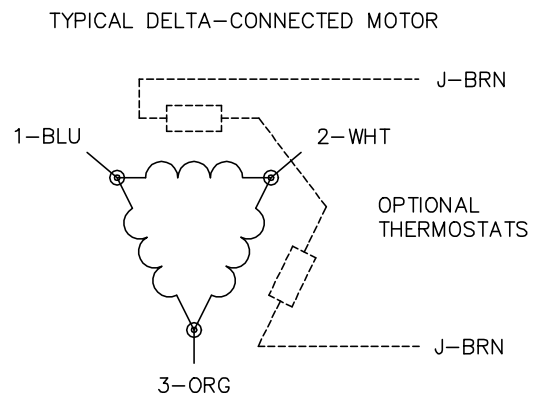
TORQUES (LB-FT): PO=16.7 PU=9.8 LR=11.4 LRA=14.2



1/18/2025 ACPERF, record # 99855



CD0006



NOTES:

1. THREE LEAD MOTOR MAY BE EITHER WYE CONNECTED OR DELTA CONNECTED.
2. INTERCHANGE ANY TWO LINE LEADS TO REVERSE ROTATION.
3. OPTIONAL THERMOSTATS ARE PROVIDED WHEN SPECIFIED.
4. ACTUAL NUMBER OF INTERNAL PARALLEL CIRCUITS MAY VARY.
5. LEAD COLORS ARE OPTIONAL. LEADS MUST BE NUMBERED AS SHOWN.

CD0006

REV. DESC: ADD CLASS CONN00000007		
REV. LTR: E	VERSION: 01	TDR: 000001099922
FILE: \AAA\00005\141	REVISED: 10:24:49 02/19/2019	BY: ENBRIRO
MTL: -	© □	

BALDOR - RELIANCE®

3PH, SV, 3 LEADS, WYE OR DELTA CONNECTED

SH 1 of 1