

BALDOR • RELIANCE

Customer information packet

XM32542T

50//40HP, 1775//1470RPM, 3PH, 60//50HZ, 326T

Class - CLI GP D; CLII GP F,G

Division - Division I

Specifications

Enclosure	XPFC
Frame	326T
Frame Material	Iron
Frequency	50.00 Hz 60.00 Hz
Haz Area Class and Group	CLI GP D; CLII GP F,G
Haz Area Division	Division I
Motor Letter Type	Three Phase
Output @ Frequency	50.000 HP @ 60 HZ 40.000 HP @ 50 HZ
Phase	3
Synchronous Speed @ Frequency	1800 RPM @ 60 HZ
Voltage @ Frequency	460.0 V @ 60 HZ 190.0 V @ 50 HZ 230.0 V @ 60 HZ 380.0 V @ 50 HZ
Agency Approvals	UL CSA EEV
Ambient Temperature	40 °C
Auxillary Box	No Auxillary Box
Auxillary Box Lead Termination	None
Base Indicator	Rigid
Bearing Grease Type	Polyrex EM (-20F +300F)
Blower	None
Constant Torque Speed Range	20
Current @ Voltage	112.000 A @ 190.0 V 116.000 A @ 230.0 V 56.000 A @ 380.0 V 58.000 A @ 460.0 V
Design Code	A
Drip Cover	No Drip Cover
Duty Rating	CONT

Part detail

Revision	B
Type	AC
Mech. spec.	
Base	
Status	PRD/A
Elec. spec.	12WGY141
Layout	12LYL018
Eff. date	07-24-2023
CD Diagram	CD0180
Poles	04
Leads	9#6
Proprietary	False
Created date	05-12-2021

Efficiency @ 100% Load	94.5 %
Electrically Isolated Bearing	Not Electrically Isolated
Feedback Device	NO FEEDBACK
Haz Area Temp Code	T3C
Heater Indicator	No Heater
High Voltage Full Load Amps	56.0 a
Insulation Class	F
Inverter Code	Inverter Duty
IP Rating	NONE
KVA Code	H
Lifting Lugs	Standard Lifting Lugs
Locked Bearing Indicator	Locked Bearing
Max Speed	2700 rpm
Motor Lead Termination	Flying Leads
Motor Standards	NEMA
Motor Type	1272M
Mounting Arrangement	F1
Number of Poles	4
Overall Length	32.00 IN
Power Factor	85
Product Family	General Purpose
Pulley Face Code	Standard
Rodent Screen	None
Service Factor	1.00
Shaft Diameter	2.125 IN
Shaft Ground Indicator	No Shaft Grounding
Shaft Rotation	Reversible
Speed	1775 rpm
Speed Code	Single Speed
Starting Method	Direct on line
Thermal Device - Bearing	None
Thermal Device - Winding	Normally Closed Thermostat
Vibration Sensor Indicator	No Vibration Sensor
Winding Thermal 1	None

Winding Thermal 2

None

Nameplate

NP0887XPSLEV										
NO.		CC	010A							
S/N		TEMP CODE	T3C							
SPEC.	12-0000-2168		INV.TYPE	PWM						
CAT.NO.	XM32542T		C HP FR	60	C HP TO	90				
HP	50//40		CT HZ FROM	20	CT HZ TO	60				
VOLTS	230/460//190/380		VT HZ FROM	6	VT HZ TO	60				
AMPS	116/58//112/56		MAG CUR	19.8//19.46						
RPM	1775//1470		MX RPM	2700						
HZ	60//50	PH	3	CL	F	NOM.EFF.	94.5			
SER.F.	1.00	DES	A	SL HZ	0.8	WK2	9.59			
FRAME	326T	RATING	40C AMB-CONT							
	NEMA MG-1 PART 5, IP54									
	1.15 SF ON SINE WAVE									

AC Induction Motor Performance Data

Record # 42428

Typical performance - not guaranteed values

Winding: 12WGY141-R020		Type: 1272M		Enclosure: XPFC		
Nameplate Data			460 V, 60 Hz: High Voltage Connection			
Rated Output (HP)	50//40		Full Load Torque	147 LB-FT		
Volts	230/460//190/380		Start Configuration	direct on line		
Full Load Amps	116/58//112/56		Breakdown Torque	396 LB-FT		
R.P.M.	1775//1470		Pull-up Torque	183 LB-FT		
Hz	60//50	Phase	3	Locked-rotor Torque	254 LB-FT	
NEMA Design Code	A		KVA Code	G	Starting Current	397 A
Service Factor (S.F.)	1			No-load Current	19.8 A	
NEMA Nom. Eff.	94.5	Power Factor	85	Line-line Res. @ 25°C	0.10889 Ω	
Rating - Duty	40C AMB-CONT			Temp. Rise @ Rated Load	64°C	
				Locked-rotor Power Factor	26	
				Rotor inertia	9.59 LB-FT ²	

Load Characteristics 460 V, 60 Hz, 50 HP

% of Rated Load	25	50	75	100	125	150
Power Factor	53	74	83	86	87	87
Efficiency	91.3	94.3	94.8	94.6	94	93.1
Speed	1794.5	1789.3	1783.5	1777.5	1770.7	1761.5
Line amperes	24.2	33.5	44.7	57.6	71.5	90

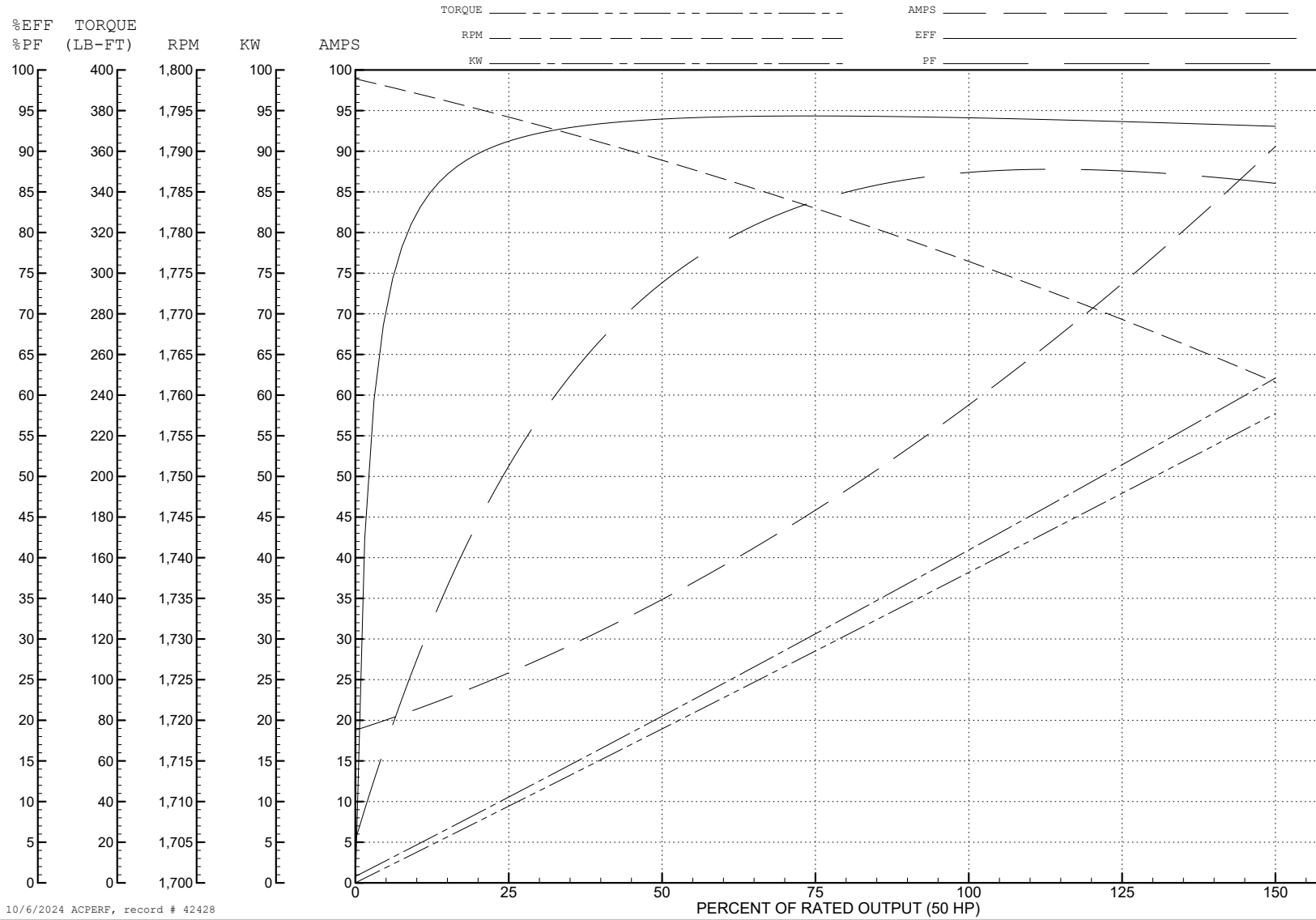
ABB Motors and Mechanical Inc.

WINDING # 12WGY141

50 HP 3 PH 60 HZ 1777.5 RPM 460 V 1272M

Typical performance - not guaranteed values.

TORQUES (LB-FT): PO=396 PU=183 LR=254 LRA=397



10/6/2024 ACPERF, record # 42428

AC Induction Motor Performance Data

Record # 42429

Typical performance - not guaranteed values

Winding: 12WGY141-R020		Type: 1272M		Enclosure: XPFC		
Nameplate Data			380 V, 50 Hz: High Voltage Connection			
Rated Output (HP)	50//40		Full Load Torque	141 LB-FT		
Volts	230/460//190/380		Start Configuration	direct on line		
Full Load Amps	116/58//112/56		Breakdown Torque	383 LB-FT		
R.P.M.	1775//1470		Pull-up Torque	192 LB-FT		
Hz	60//50	Phase	3	Locked-rotor Torque	267 LB-FT	
NEMA Design Code	A		KVA Code	G	Starting Current	389 A
Service Factor (S.F.)	1		No-load Current	19.5 A		
NEMA Nom. Eff.	94.5	Power Factor	85	Line-line Res. @ 25°C	0.107 Ω	
Rating - Duty	40C		AMB-CONT	Temp. Rise @ Rated Load	60°C	
S.F. Amps				Temp. Rise @ S.F. Load	74°C	
				Locked-rotor Power Factor	29	
				Rotor inertia	9.59 LB-FT ²	

Load Characteristics 380 V, 50 Hz, 40 HP

% of Rated Load	25	50	75	100	125	150
Power Factor	52	74	83	86	87	87
Efficiency	90	93.7	93.7	93.5	93.2	92.2
Speed	1495	1490	1484	1479	1472	1464
Line amperes	23.7	32.7	43.6	56.1	69.6	87.7

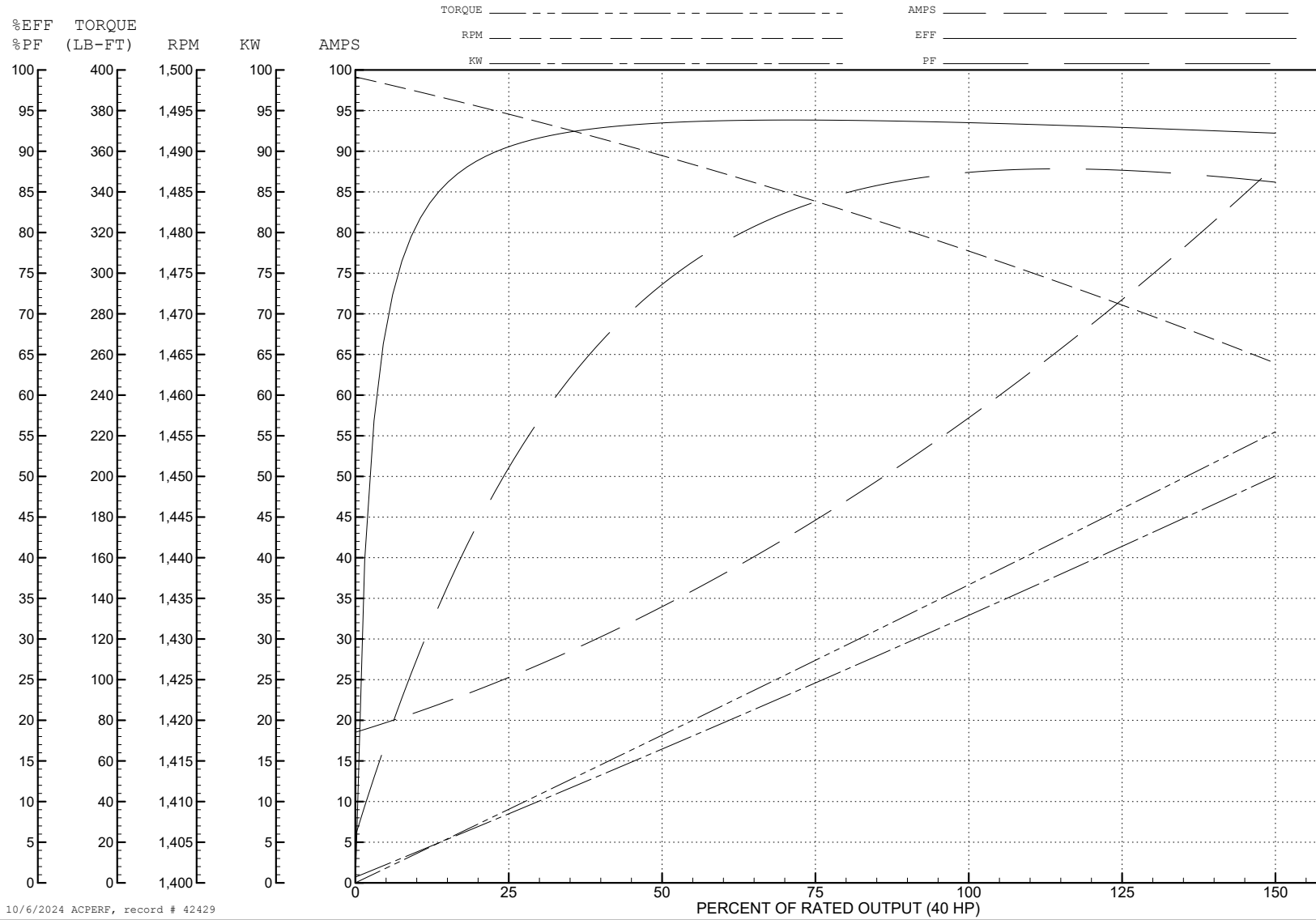
ABB Motors and Mechanical Inc.

WINDING # 12WGY141

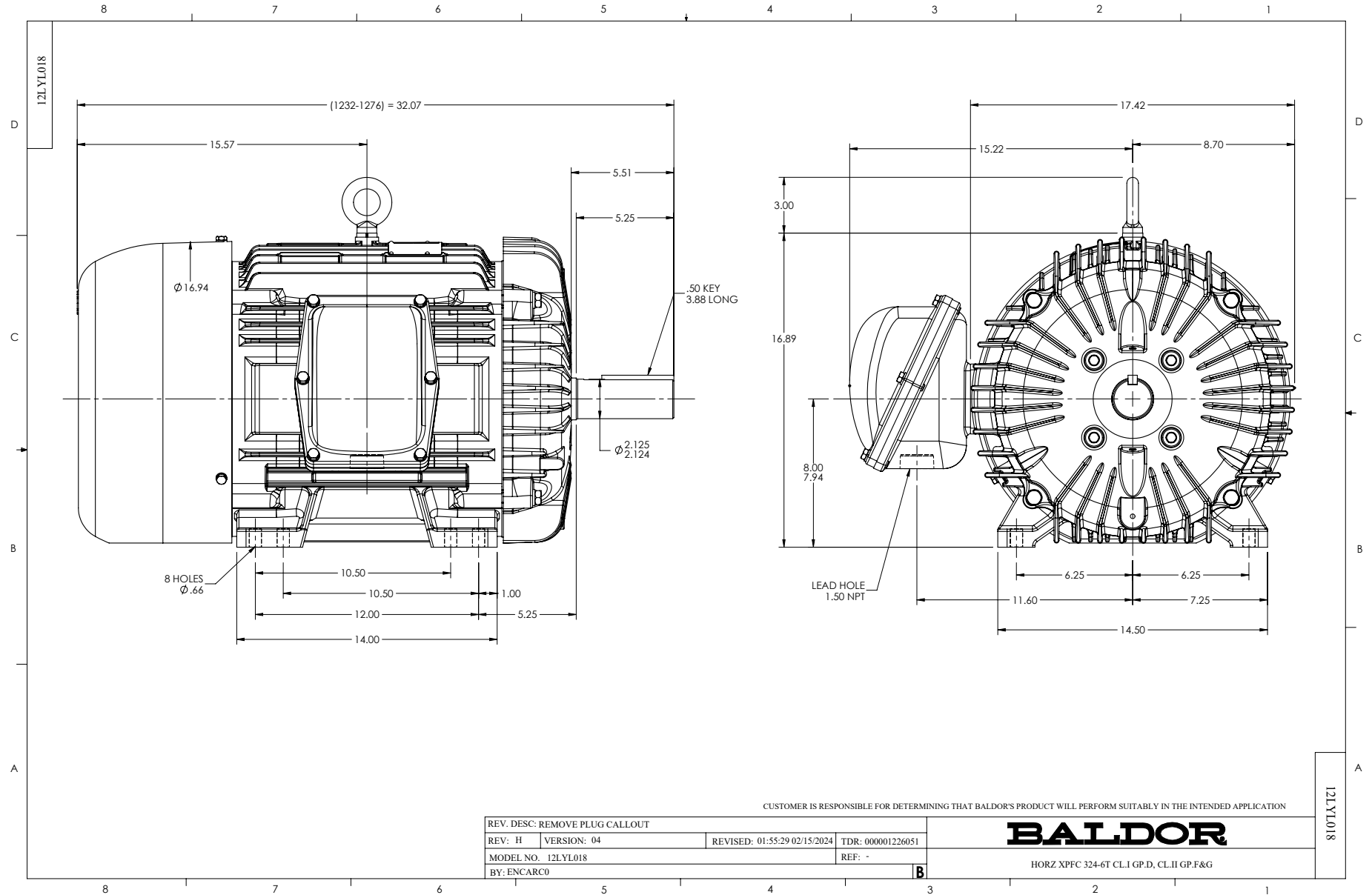
Typical performance - not guaranteed values.

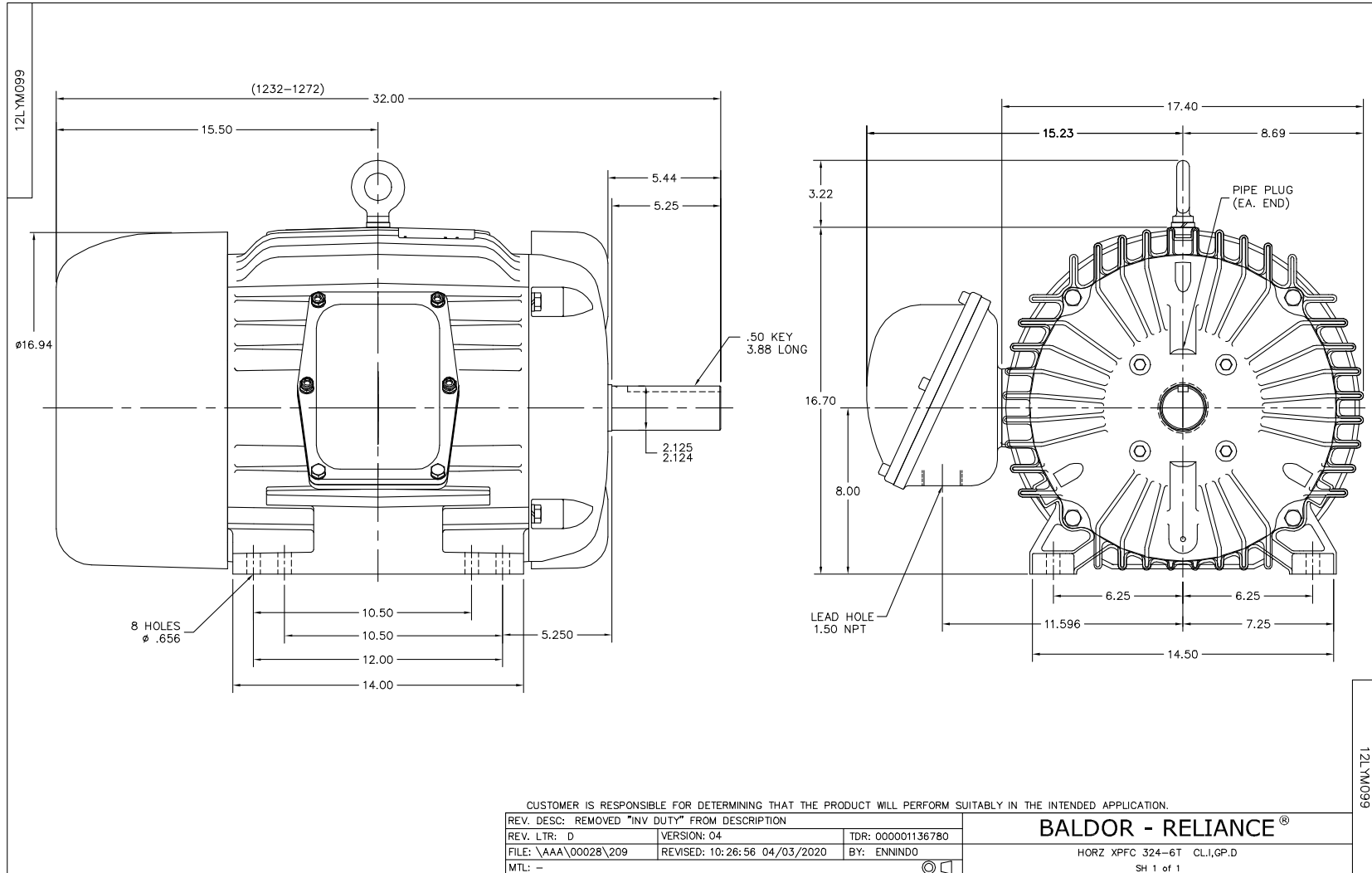
40 HP 3 PH 50 HZ 1479 RPM 380 V 1272M

TORQUES (LB-FT): PO=383 PU=192 LR=267 LRA=389

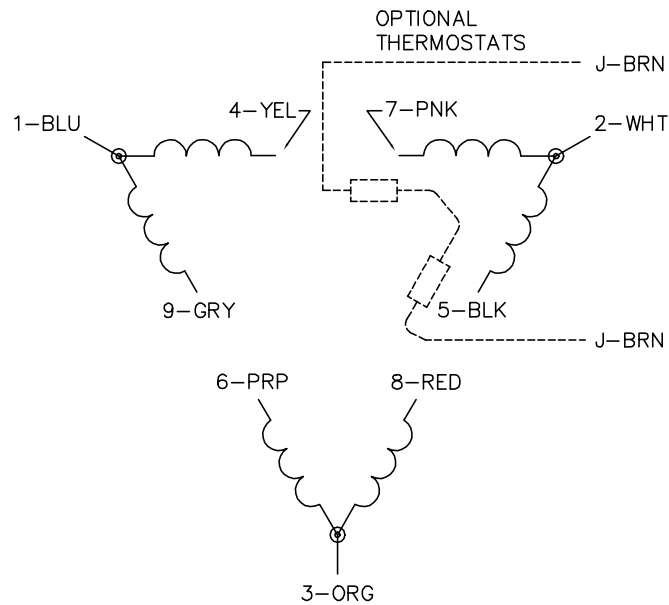


10/6/2024 ACPERF, record # 42429

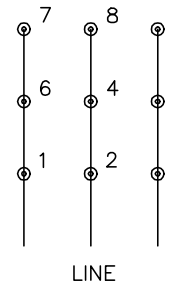




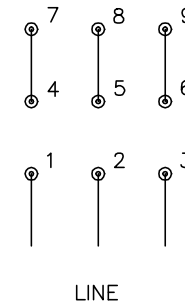
CD0180



LOW VOLTAGE
(2D)



HIGH VOLTAGE
(1D)



NOTES:

1. INTERCHANGE ANY TWO LINE LEADS TO REVERSE ROTATION.
2. OPTIONAL THERMOSTATS ARE PROVIDED WHEN SPECIFIED.
3. ACTUAL NUMBER OF INTERNAL PARALLEL CIRCUITS MAY BE A MULTIPLE OF THOSE SHOWN ABOVE.
4. LEAD COLORS ARE OPTIONAL. LEADS MUST ALWAYS BE NUMBERED AS SHOWN.

CD0180

REV. DESC: ADD CLASS CONN00000007		
REV. LTR: D	VERSION: 01	TDR: 000001099922
FILE: \AAA\00005\148	REVISED: 10: 25: 29 02/19/2019	BY: ENBRIRO
MTL: -	© □	

BALDOR - RELIANCE®

3PH, DV, 9 LEADS, DELTA CONNECTION

SH 1 of 1