

**BALDOR • RELIANCE**

---

# Customer information packet

## XM28262T

20//15HP, 1180//980RPM, 3PH, 60//50HZ, 286T

Class - CLI GP D; CLII GP F,G

Division - Division I

## Specifications

Enclosure	XPFC
Frame	286T
Frame Material	Iron
Frequency	50.00 Hz 60.00 Hz
Haz Area Class and Group	CLI GP D; CLII GP F,G
Haz Area Division	Division I
Motor Letter Type	Three Phase
Output @ Frequency	20.000 HP @ 60 HZ 15.000 HP @ 50 HZ
Phase	3
Synchronous Speed @ Frequency	1200 RPM @ 60 HZ
Voltage @ Frequency	460.0 V @ 60 HZ 190.0 V @ 50 HZ 230.0 V @ 60 HZ 380.0 V @ 50 HZ
Agency Approvals	UL CSA EEV
Ambient Temperature	40 °C
Auxillary Box	No Auxillary Box
Auxillary Box Lead Termination	None
Base Indicator	Rigid
Bearing Grease Type	Polyrex EM (-20F +300F)
Blower	None
Constant Torque Speed Range	6
Current @ Voltage	24.000 A @ 380.0 V 26.000 A @ 460.0 V 48.000 A @ 190.0 V 52.000 A @ 230.0 V
Design Code	A
Drip Cover	No Drip Cover
Duty Rating	CONT

## Part detail

Revision	B
Type	AC
Mech. spec.	
Base	
Status	PRD/A
Elec. spec.	10WGX978
Layout	10LYE106
Eff. date	07-17-2023
CD Diagram	CD0180
Poles	06
Leads	9#10
Proprietary	False
Created date	05-05-2021

Efficiency @ 100% Load	93.0 %
Electrically Isolated Bearing	Not Electrically Isolated
Feedback Device	NO FEEDBACK
Haz Area Temp Code	T3C
Heater Indicator	No Heater
High Voltage Full Load Amps	24.0 a
Insulation Class	F
Inverter Code	Inverter Duty
IP Rating	NONE
KVA Code	H
Lifting Lugs	Standard Lifting Lugs
Locked Bearing Indicator	Locked Bearing
Max Speed	1800 rpm
Motor Lead Termination	Flying Leads
Motor Standards	NEMA
Motor Type	1062M
Mounting Arrangement	F1
Number of Poles	6
Overall Length	28.61 IN
Power Factor	78
Product Family	Hazardous Location Motor
Pulley Face Code	Standard
Rodent Screen	None
Service Factor	1.00
Shaft Diameter	1.875 IN
Shaft Ground Indicator	No Shaft Grounding
Shaft Rotation	Reversible
Speed	1180 rpm
Speed Code	Single Speed
Starting Method	Direct on line
Thermal Device - Bearing	None
Thermal Device - Winding	Normally Closed Thermostat
Vibration Sensor Indicator	No Vibration Sensor
Winding Thermal 1	None

**Winding Thermal 2**

**None**

---

**Nameplate**

**NP0887XPSLEV**

<b>NO.</b>		<b>CC</b>	010A		
<b>S/N</b>		<b>TEMP CODE</b>	T3C		
<b>SPEC.</b>	10-0000-2093	<b>INV.TYPE</b>	PWM		
<b>CAT.NO.</b>	XM28262T	<b>C HP FR</b>	60	<b>C HP TO</b>	90
<b>HP</b>	20//15	<b>CT HZ FROM</b>	6	<b>CT HZ TO</b>	60
<b>VOLTS</b>	230/460//190/380	<b>VT HZ FROM</b>	6	<b>VT HZ TO</b>	60
<b>AMPS</b>	52/26//48/24	<b>MAG CUR</b>	24.6/12.3		
<b>RPM</b>	1180//980	<b>MX RPM</b>	1800		
<b>HZ</b>	60//50	<b>PH</b>	3	<b>CL</b>	F
		<b>NOM.EFF.</b>	93		
<b>SER.F.</b>	1.00	<b>DES</b>	A	<b>SL HZ</b>	1
		<b>WK2</b>	7.59		
<b>FRAME</b>	286T	<b>RATING</b>	40C AMB-CONT		
	NEMA MG-1 PART 5, IP54				
	1.15 SF ON SINE WAVE				

**AC Induction Motor Performance Data**

Record # 47246

Typical performance - not guaranteed values

<b>Winding: 10WGX978-R014</b>		<b>Type: 1062M</b>		<b>Enclosure: TEFC</b>	
<b>Nameplate Data</b>			<b>460 V, 60 Hz: High Voltage Connection</b>		
<b>Rated Output (HP)</b>	20		<b>Full Load Torque</b>	89 LB-FT	
<b>Volts</b>	230/460		<b>Start Configuration</b>	direct on line	
<b>Full Load Amps</b>	52/26		<b>Breakdown Torque</b>	286.9 LB-FT	
<b>R.P.M.</b>	1180		<b>Pull-up Torque</b>	113 LB-FT	
<b>Hz</b>	<b>60 Phase</b>	3	<b>Locked-rotor Torque</b>	160.5 LB-FT	
<b>NEMA Design Code</b>	<b>A KVA Code</b>	H	<b>Starting Current</b>	171.6 A	
<b>Service Factor (S.F.)</b>	1.15		<b>No-load Current</b>	12.3 A	
<b>NEMA Nom. Eff.</b>	<b>93 Power Factor</b>	78	<b>Line-line Res. @ 25°C</b>	0.362 Ω	
<b>Rating - Duty</b>	40C AMB-CONT		<b>Temp. Rise @ Rated Load</b>	47°C	
<b>S.F. Amps</b>			<b>Temp. Rise @ S.F. Load</b>	59°C	
			<b>Rotor inertia</b>	7.59 LB-FT <sup>2</sup>	

**Load Characteristics 460 V, 60 Hz, 20 HP**

<b>% of Rated Load</b>	<b>25</b>	<b>50</b>	<b>75</b>	<b>100</b>	<b>125</b>	<b>150</b>	<b>S.F.</b>
<b>Power Factor</b>	39	61	72	78	80	81	79
<b>Efficiency</b>	88.5	92.5	93.3	93.2	92.6	91.7	92.8
<b>Speed</b>	1195	1191	1187	1183	1178	1173	1180
<b>Line amperes</b>	13.6	16.9	21	25.9	31.4	37.7	29.2

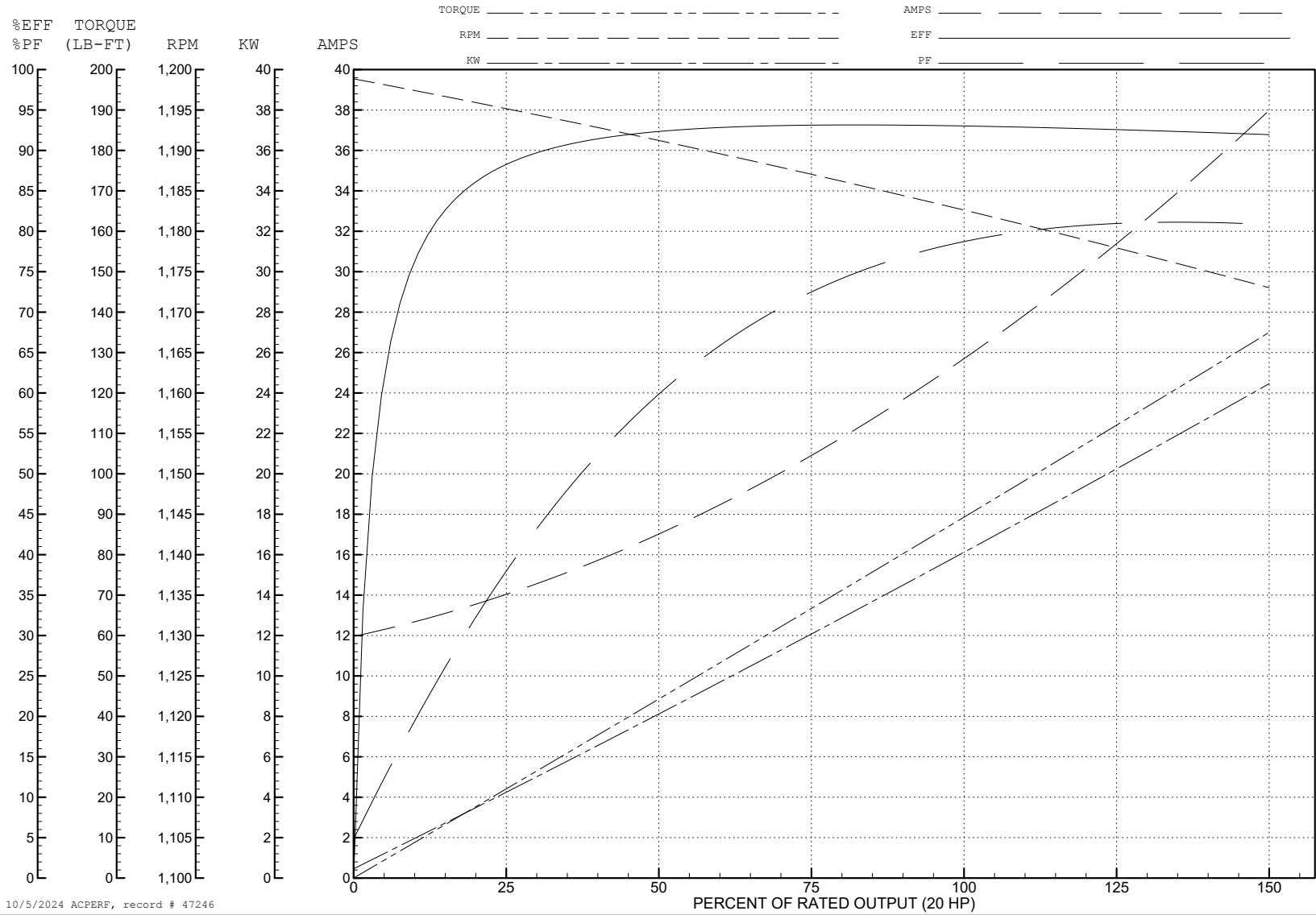
ABB Motors and Mechanical Inc.

WINDING # 10WG978

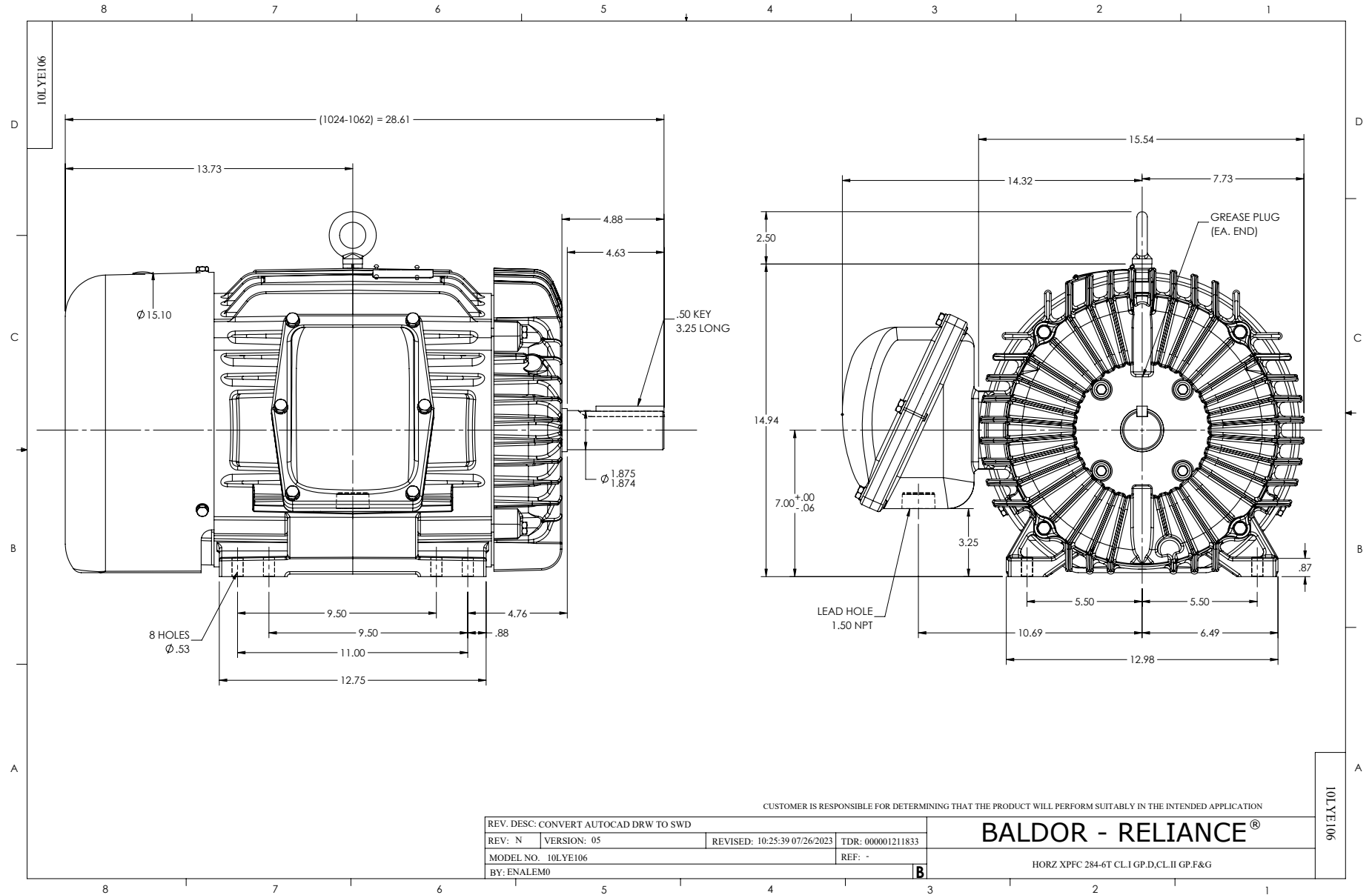
Typical performance - not guaranteed values.

20 HP 3 PH 60 HZ 1180 RPM 460 V 1062M

TORQUES (LB-FT): PO=286.9 PU=113 LR=160.5 LRA=171.6

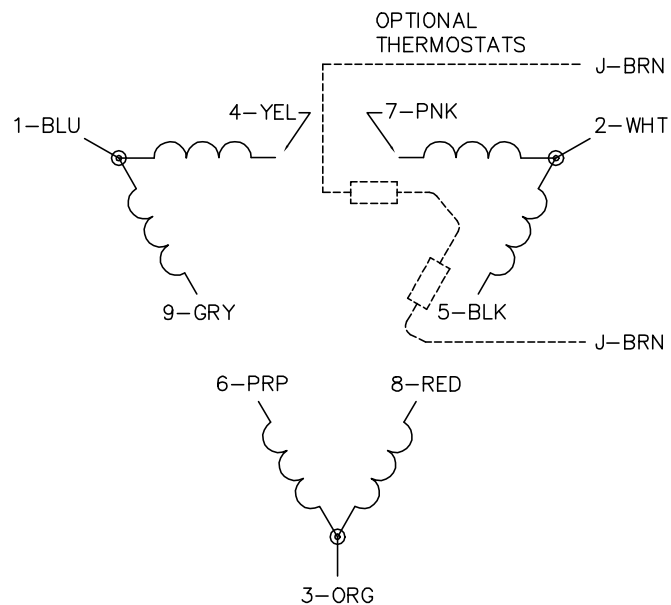


10/5/2024 ACPERF, record # 47246

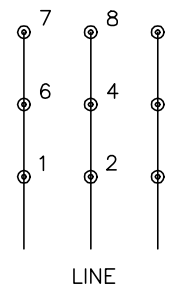




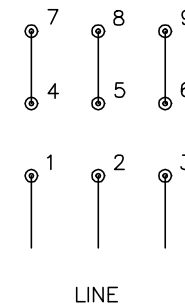
CD0180



LOW VOLTAGE  
(2D)



HIGH VOLTAGE  
(1D)



**NOTES:**

1. INTERCHANGE ANY TWO LINE LEADS TO REVERSE ROTATION.
2. OPTIONAL THERMOSTATS ARE PROVIDED WHEN SPECIFIED.
3. ACTUAL NUMBER OF INTERNAL PARALLEL CIRCUITS MAY BE A MULTIPLE OF THOSE SHOWN ABOVE.
4. LEAD COLORS ARE OPTIONAL. LEADS MUST ALWAYS BE NUMBERED AS SHOWN.

CD0180

REV. DESC: ADD CLASS CONN00000007		
REV. LTR: D	VERSION: 01	TDR: 000001099922
FILE: \AAA\00005\148	REVISED: 10: 25: 29 02/19/2019	BY: ENBRIRO
MTL: -	© □	

**BALDOR - RELIANCE®**

3PH, DV, 9 LEADS, DELTA CONNECTION

SH 1 of 1