



Customer information packet

XM25222T

50M 2P XPFC HOR 256T T'STATS INV DUTY

Class - CLI GP D; CLII GP F,G

Division - Division I

Specifications

Enclosure	XPFC
Frame	256T
Frame Material	Iron
Frequency	50.00 Hz 60.00 Hz
Haz Area Class and Group	CLI GP D; CLII GP F,G
Haz Area Division	Division I
Motor Letter Type	Three Phase
Output @ Frequency	20.000 HP @ 60 HZ 15.000 HP @ 50 HZ
Phase	3
Synchronous Speed @ Frequency	3600 RPM @ 60 HZ
Voltage @ Frequency	190.0 V @ 50 HZ 230.0 V @ 60 HZ 380.0 V @ 50 HZ 460.0 V @ 60 HZ
Agency Approvals	CSA EEV UL
Ambient Temperature	40 °C
Auxillary Box	No Auxillary Box
Auxillary Box Lead Termination	None
Base Indicator	Rigid
Bearing Grease Type	Polyrex EM (-20F +300F)
Blower	None
Constant Torque Speed Range	30
Current @ Voltage	20.000 A @ 380.0 V 22.000 A @ 460.0 V 40.000 A @ 190.0 V 44.000 A @ 230.0 V 48.000 A @ 208.0 V
Design Code	A
Drip Cover	No Drip Cover

Part detail

Revision	L
Type	AC
Mech. spec.	09E270
Base	
Status	PRD/A
Elec. spec.	09WGZ651
Layout	09LYE270
Eff. date	11-14-2023
CD Diagram	CD0180
Poles	02
Leads	9#10
Proprietary	False
Created date	03-27-2019

Duty Rating	CONT
Efficiency @ 100% Load	91.0 %
Electrically Isolated Bearing	Not Electrically Isolated
Feedback Device	NO FEEDBACK
Front Shaft Indicator	None
Haz Area Temp Code	T3C
Heater Indicator	No Heater
High Voltage Full Load Amps	20.0 a
Insulation Class	F
Inverter Code	Inverter Duty
IP Rating	NONE
KVA Code	H
Lifting Lugs	Standard Lifting Lugs
Locked Bearing Indicator	Locked Bearing
Max Speed	5400 rpm
Motor Lead Quantity/Wire Size	9 @ 10 AWG
Motor Lead Termination	Flying Leads
Motor Standards	NEMA
Motor Type	X0950M
Mounting Arrangement	F1
Number of Poles	2
Overall Length	25.50 IN
Power Factor	91
Product Family	Hazardous Location Motor
Pulley End Bearing Type	Ball
Pulley Face Code	Standard
Pulley Shaft Indicator	None
Rodent Screen	None
RoHS Status	ROHS NON-COMPLIANT
Service Factor	1.15
Shaft Diameter	1.625 IN
Shaft Ground Indicator	No Shaft Grounding
Shaft Rotation	Reversible
Shaft Slinger Indicator	No Slinger

Speed	2930 rpm 3530 rpm
Speed Code	Single Speed
Starting Method	Direct on line
Thermal Device - Bearing	None
Thermal Device - Winding	Normally Closed Thermostat
Vibration Sensor Indicator	No Vibration Sensor
Winding Thermal 1	None
Winding Thermal 2	None

Nameplate

NP0887XPSLEV

NO.		CC	010A		
S/N		TEMP CODE	T3C		
SPEC.	09E270Z651G1	INV.TYPE	PWM		
CAT.NO.	XM25222T	C HP FR	60	C HP TO	90
HP	20//15	CT HZ FROM	30	CT HZ TO	60
VOLTS	230/460//190/380	VT HZ FROM	6	VT HZ TO	60
AMPS	44/22//40/20	MAG CUR	11.6/5.8		
RPM	3530//2930	MX RPM	5400		
HZ	60//50	PH	3	CL	F
		NOM.EFF.	91		
SER.F.	1.15	DES	A	SL HZ	1.2
		WK2	1.28		
FRAME	256T	RATING	40C AMB-CONT		
			55C AMB @1.0SF ON VFD,60C RISE		
			NEMA MG-1 PT.5,IP54		

AC Induction Motor Performance Data

Record # 54030

Typical performance - not guaranteed values

Winding: 09WGZ651-R015		Type: 0950M		Enclosure: XPFC	
Nameplate Data			460 V, 60 Hz: High Voltage Connection		
Rated Output (HP)	20//15	Full Load Torque	30 LB-FT		
Volts	230/460//190/380	Start Configuration	direct on line		
Full Load Amps	44/22//40/20	Breakdown Torque	167 LB-FT		
R.P.M.	3530//2930	Pull-up Torque	33.7 LB-FT		
Hz	60//50 Phase	3	Locked-rotor Torque	51 LB-FT	
NEMA Design Code	A	KVA Code	H	Starting Current	160 A
Service Factor (S.F.)	1.15		No-load Current	5.75 A	
NEMA Nom. Eff.	91	Power Factor	91	Line-line Res. @ 25°C	0.43337 Ω
Rating - Duty	40C AMB-CONT		Temp. Rise @ Rated Load	58°C	
S.F. Amps			Temp. Rise @ S.F. Load	72°C	

Load Characteristics 460 V, 60 Hz, 20 HP

% of Rated Load	25	50	75	100	125	150	S.F.
Power Factor	65	83	89	91	91	91	91
Efficiency	89.4	92.7	92.9	92.4	91.4	90.1	91.8
Speed	3580.7	3566.7	3547.3	3526.6	3504.5	3479.4	3513
Line amperes	8.04	12.2	17.1	22.4	28.2	34.2	25.9

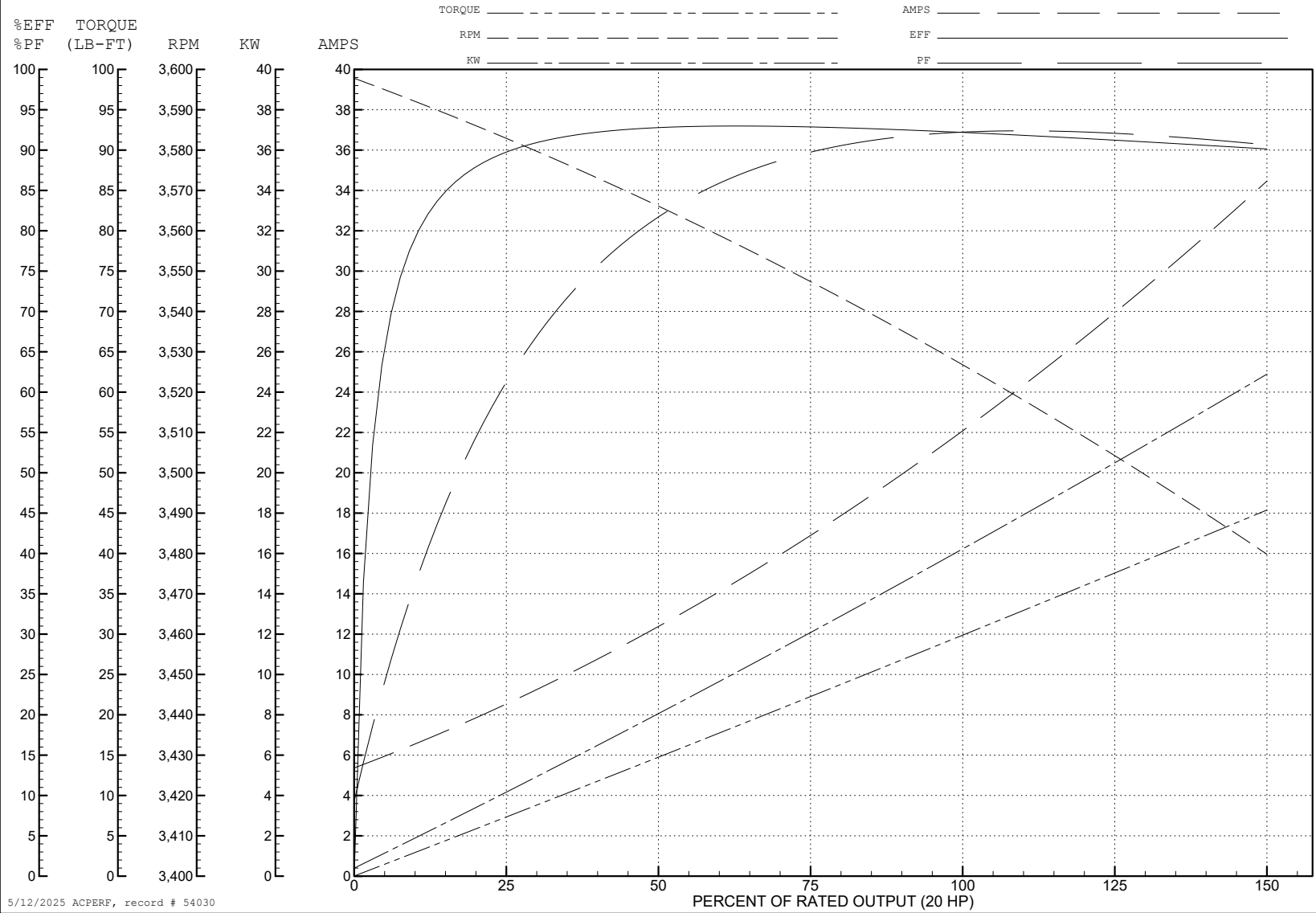
ABB Motors and Mechanical Inc.

WINDING # 09WGZ651

Typical performance - not guaranteed values.

20 HP 3 PH 60 HZ 3526.6 RPM 460 V 0950M

TORQUES (LB-FT): PO=167 PU=33.7 LR=51 LRA=160



5/12/2025 ACPERF, record # 54030

AC Induction Motor Performance Data

Record # 54031

Typical performance - not guaranteed values

Winding: 09WGX651-R015		Type: 0950M	Enclosure: XPFC	
Nameplate Data			380 V, 50 Hz: High Voltage Connection	
Rated Output (HP)	20//15		Full Load Torque	27 LB-FT
Volts	230/460//190/380		Start Configuration	direct on line
Full Load Amps	44/22//40/20		Breakdown Torque	160 LB-FT
R.P.M.	3530//2930		Pull-up Torque	35.6 LB-FT
Hz	60//50	Phase 3	Locked-rotor Torque	53.9 LB-FT
NEMA Design Code	A	KVA Code H	Starting Current	156 A
Service Factor (S.F.)	1.15		No-load Current	5.7 A
NEMA Nom. Eff.	91	Power Factor 91	Line-line Res. @ 25°C	0.41 Ω
Rating - Duty	40C AMB-CONT		Temp. Rise @ Rated Load	51°C
S.F. Amps			Temp. Rise @ S.F. Load	64°C
			Locked-rotor Power Factor	31.3
			Rotor inertia	1.28 LB-FT ²

Load Characteristics 380 V, 50 Hz, 15 HP

% of Rated Load	25	50	75	100	125	150	S.F.
Power Factor	63	82	88	91	91	92	91
Efficiency	86.8	91.6	91.6	91.2	90.3	89.1	90.6
Speed	2982	2969	2952	2933	2914	2891	2922
Line amperes	7.7	11.5	15.8	20.6	25.9	31.3	23.8

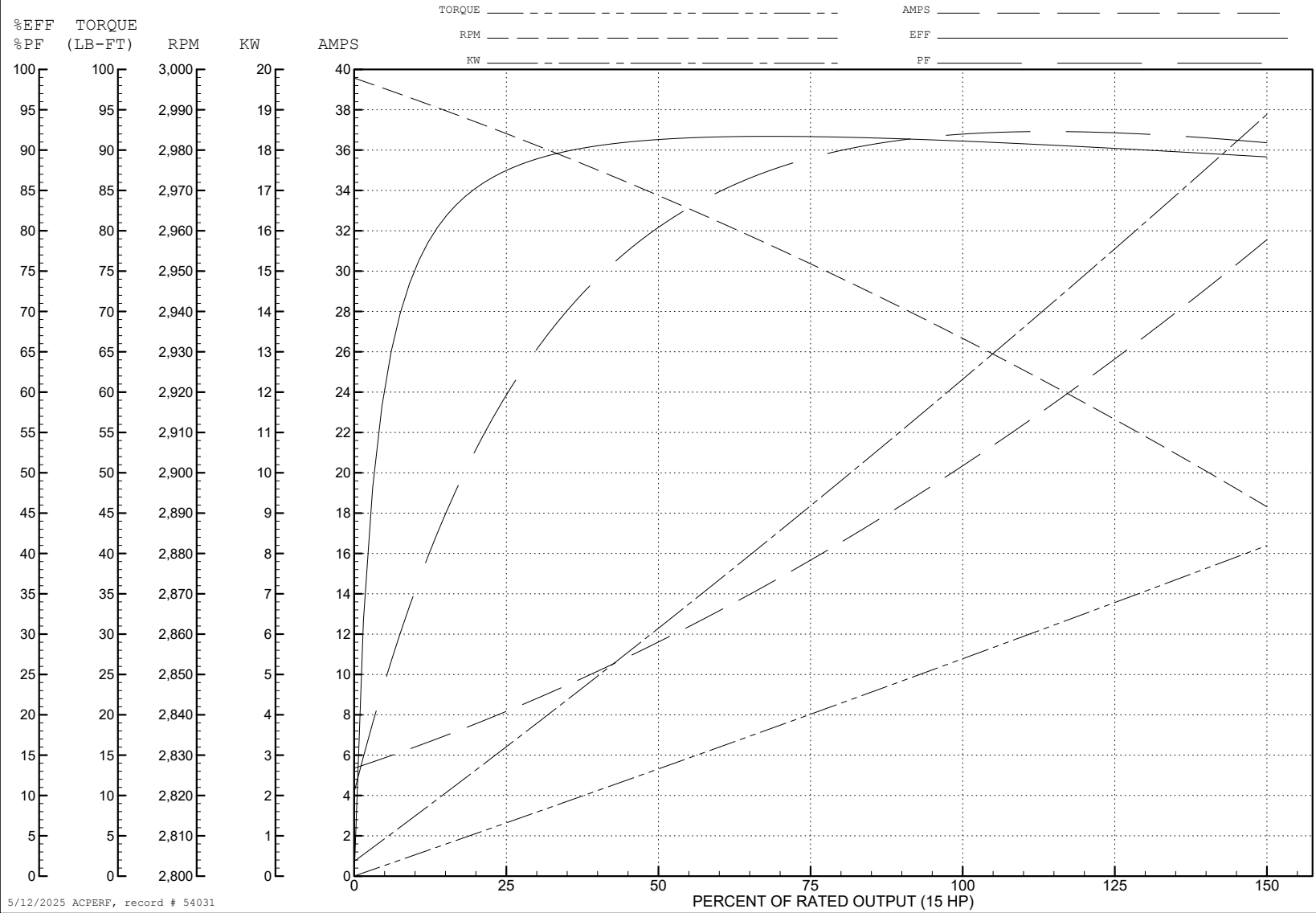
ABB Motors and Mechanical Inc.

WINDING # 09WGZ651

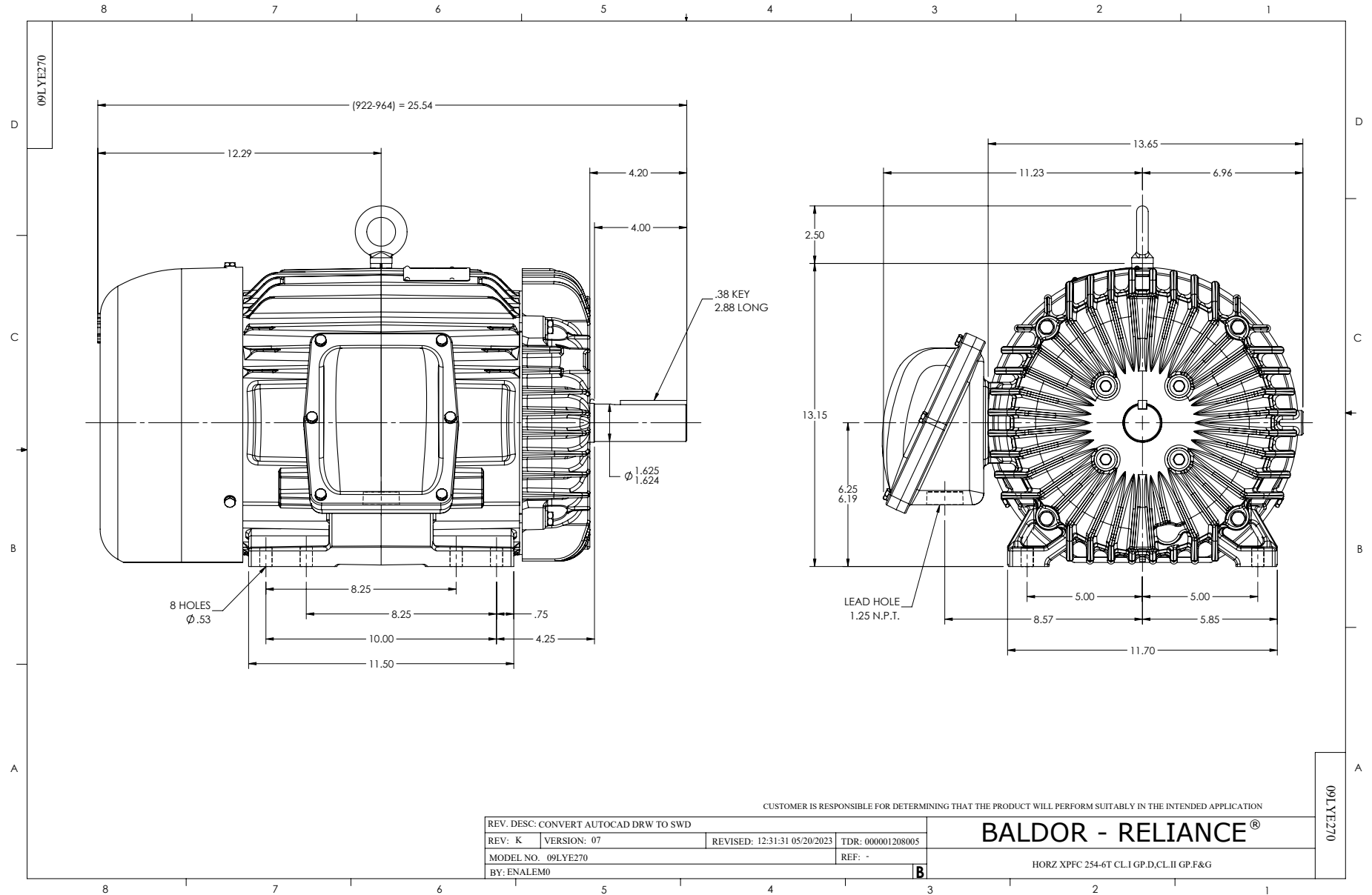
Typical performance - not guaranteed values.

15 HP 3 PH 50 HZ 2933 RPM 380 V 0950M

TORQUES (LB-FT): PO=160 PU=35.6 LR=53.9 LRA=156



5/12/2025 ACPERF, record # 54031



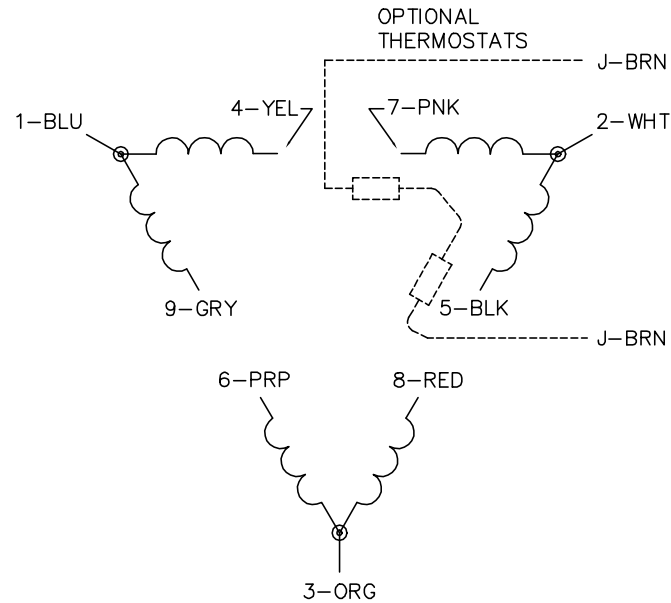
CUSTOMER IS RESPONSIBLE FOR DETERMINING THAT THE PRODUCT WILL PERFORM SUITABLY IN THE INTENDED APPLICATION

REV. DESC: CONVERT AUTOCAD DRW TO SWD			
REV: K	VERSION: 07	REVISED: 12/31/2023	TDR: 000001208005
MODEL NO. 09LYE270		REF: -	
BY: ENALEM0		B	

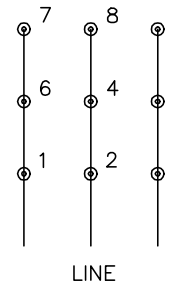
BALDOR - RELIANCE®

HORZ XPFC 254-6T CL.I GP.D.CL.II GP.F&G

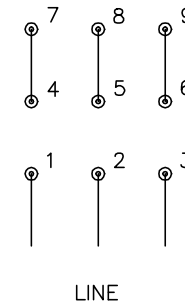
CD0180



LOW VOLTAGE
(2D)



HIGH VOLTAGE
(1D)



NOTES:

1. INTERCHANGE ANY TWO LINE LEADS TO REVERSE ROTATION.
2. OPTIONAL THERMOSTATS ARE PROVIDED WHEN SPECIFIED.
3. ACTUAL NUMBER OF INTERNAL PARALLEL CIRCUITS MAY BE A MULTIPLE OF THOSE SHOWN ABOVE.
4. LEAD COLORS ARE OPTIONAL. LEADS MUST ALWAYS BE NUMBERED AS SHOWN.

CD0180

REV. DESC: ADD CLASS CONN00000007		
REV. LTR: D	VERSION: 01	TDR: 000001099922
FILE: \AAA\00005\148	REVISED: 10: 25: 29 02/19/2019	BY: ENBRIRO
MTL: -	© □	

BALDOR - RELIANCE®

3PH, DV, 9 LEADS, DELTA CONNECTION

SH 1 of 1