

BALDOR • RELIANCE

Customer information packet

XM25162T

56M 6P XPFC HOR 256T T'STATS INV DUTY

Class - CLI GP D; CLII GP F,G

Division - Division I

Specifications

Enclosure	XPFC
Frame	256T
Frame Material	Iron
Frequency	50.00 Hz 60.00 Hz
Haz Area Class and Group	CLI GP D; CLII GP F,G
Haz Area Division	Division I
Motor Letter Type	Three Phase
Output @ Frequency	7.500 HP @ 50 HZ 10.000 HP @ 60 HZ
Phase	3
Synchronous Speed @ Frequency	1200 RPM @ 60 HZ
Voltage @ Frequency	190.0 V @ 50 HZ 230.0 V @ 60 HZ 380.0 V @ 50 HZ 460.0 V @ 60 HZ
Agency Approvals	CSA EEV UL
Ambient Temperature	40 °C
Auxillary Box	No Auxillary Box
Auxillary Box Lead Termination	None
Base Indicator	Rigid
Bearing Grease Type	Polyrex EM (-20F +300F)
Blower	None
Constant Torque Speed Range	6
Current @ Voltage	14.000 A @ 380.0 V 15.000 A @ 460.0 V 28.000 A @ 190.0 V 30.000 A @ 230.0 V 30.400 A @ 208.0 V
Design Code	A
Drip Cover	No Drip Cover

Part detail

Revision	M
Type	AC
Mech. spec.	09E270
Base	
Status	PRD/A
Elec. spec.	09WGWZ383
Layout	09LYE270
Eff. date	11-14-2023
CD Diagram	CD0005
Poles	06
Leads	9#12
Proprietary	False
Created date	03-27-2019

Duty Rating	CONT
Efficiency @ 100% Load	91.0 %
Electrically Isolated Bearing	Not Electrically Isolated
Feedback Device	NO FEEDBACK
Front Shaft Indicator	None
Haz Area Temp Code	T3C
Heater Indicator	No Heater
High Voltage Full Load Amps	14.0 a
Insulation Class	F
Inverter Code	Inverter Duty
IP Rating	NONE
KVA Code	J
Lifting Lugs	Standard Lifting Lugs
Locked Bearing Indicator	Locked Bearing
Max Speed	1800 rpm
Motor Lead Quantity/Wire Size	9 @ 12 AWG
Motor Lead Termination	Flying Leads
Motor Standards	NEMA
Motor Type	X0956M
Mounting Arrangement	F1
Number of Poles	6
Overall Length	25.50 IN
Power Factor	70
Product Family	Hazardous Location Motor
Pulley End Bearing Type	Ball
Pulley Face Code	Standard
Pulley Shaft Indicator	None
Rodent Screen	None
RoHS Status	ROHS NON-COMPLIANT
Service Factor	1.15
Shaft Diameter	1.625 IN
Shaft Ground Indicator	No Shaft Grounding
Shaft Rotation	Reversible
Shaft Slinger Indicator	No Slinger

Speed	1180 rpm 980 rpm
Speed Code	Single Speed
Starting Method	Direct on line
Thermal Device - Bearing	None
Thermal Device - Winding	Normally Closed Thermostat
Vibration Sensor Indicator	No Vibration Sensor
Winding Thermal 1	None
Winding Thermal 2	None

Nameplate

NP0887XPSLEV

NO.		CC	010A		
S/N		TEMP CODE	T3C		
SPEC.	09E270Z383G3	INV.TYPE	PWM		
CAT.NO.	XM25162T	C HP FR	60	C HP TO	90
HP	10//7.5	CT HZ FROM	6	CT HZ TO	60
VOLTS	230/460//190/380	VT HZ FROM	6	VT HZ TO	60
AMPS	30/15//28/14	MAG CUR	16/8		
RPM	1180//980	MX RPM	1800		
HZ	60//50	PH	3	CL	F
		NOM.EFF.	91		
SER.F.	1.15	DES	A	SL HZ	1
				WK2	4.5
FRAME	256T	RATING	40C AMB-CONT		
	55C AMB @1.0SF ON VFD,60C RISE				
	NEMA MG-1 PT.5,IP54				

AC Induction Motor Performance Data

Record # 31471

Typical performance - not guaranteed values

Winding: 09WGZ383-R005		Type: 0956M	Enclosure: XPFC			
Nameplate Data			460 V, 60 Hz: High Voltage Connection			
Rated Output (HP)	10//7.5		Full Load Torque	44.4 LB-FT		
Volts	230/460//190/380		Start Configuration	direct on line		
Full Load Amps	29.2/14.6//27.4/13.7		Breakdown Torque	146 LB-FT		
R.P.M.	1180//980		Pull-up Torque	53.6 LB-FT		
Hz	60//50	Phase	3	Locked-rotor Torque	73.6 LB-FT	
NEMA Design Code	B		KVA Code	J	Starting Current	95.3 A
Service Factor (S.F.)	1.15		No-load Current	7.9 A		
NEMA Nom. Eff.	91	Power Factor	70		Line-line Res. @ 25°C	0.66 Ω
Rating - Duty	40C		AMB-CONT	Temp. Rise @ Rated Load	45°C	
S.F. Amps				Temp. Rise @ S.F. Load	54°C	
				Locked-rotor Power Factor	24	
				Rotor inertia	4.5 LB-FT ²	

Load Characteristics 460 V, 60 Hz, 10 HP

% of Rated Load	25	50	75	100	125	150	S.F.
Power Factor	32	52	63	70	72	73	71
Efficiency	83.7	89.8	91.4	91.6	91.1	90.3	91.3
Speed	1196	1191	1186	1182	1176	1169	1178
Line amperes	8.74	10.1	12.2	14.7	17.7	21	16.5

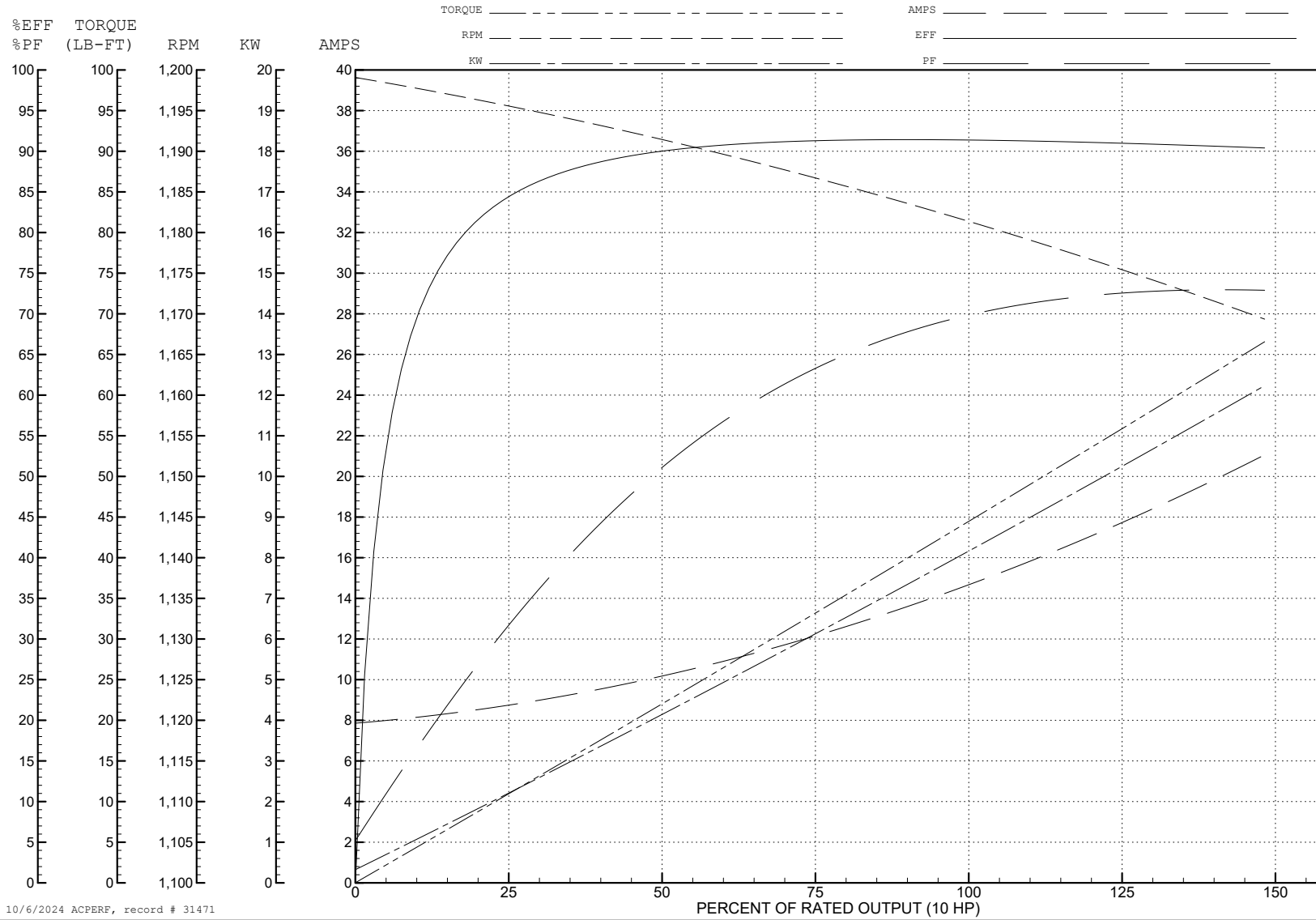
ABB Motors and Mechanical Inc.

WINDING # 09WGZ383

10 HP 3 PH 60 HZ 1182 RPM 460 V 0956M

Typical performance - not guaranteed values.

TORQUES (LB-FT): PO=146 PU=53.6 LR=73.6 LRA=95.3



10/6/2024 ACPERF, record # 31471

AC Induction Motor Performance Data

Record # 31472

Typical performance - not guaranteed values

Winding: 09WGZ383-R005		Type: 0956M	Enclosure: XPFC			
Nameplate Data			380 V, 50 Hz: High Voltage Connection			
Rated Output (HP)	10//7.5		Full Load Torque	40 LB-FT		
Volts	230/460//190/380		Start Configuration	direct on line		
Full Load Amps	29.2/14.6//27.4/13.7		Breakdown Torque	141 LB-FT		
R.P.M.	1180//980		Pull-up Torque	56.4 LB-FT		
Hz	60//50	Phase	3	Locked-rotor Torque	77.5 LB-FT	
NEMA Design Code	B		KVA Code	J	Starting Current	93.4 A
Service Factor (S.F.)	1.15		No-load Current	7.77 A		
NEMA Nom. Eff.	91	Power Factor	70		Line-line Res. @ 25°C	0.66 Ω
Rating - Duty	40C		AMB-CONT	Temp. Rise @ Rated Load	40°C	
S.F. Amps				Temp. Rise @ S.F. Load	48°C	
				Locked-rotor Power Factor	27	
				Rotor inertia	4.5 LB-FT ²	

Load Characteristics 380 V, 50 Hz, 7.5 HP

% of Rated Load	25	50	75	100	125	150	S.F.
Power Factor	31	50	61	68	71	73	70
Efficiency	82.1	88.8	90.4	90.8	90.4	89.5	90.6
Speed	996	992	987	984	978	972	980
Line amperes	8.54	9.72	11.6	13.7	16.4	19.3	15.3

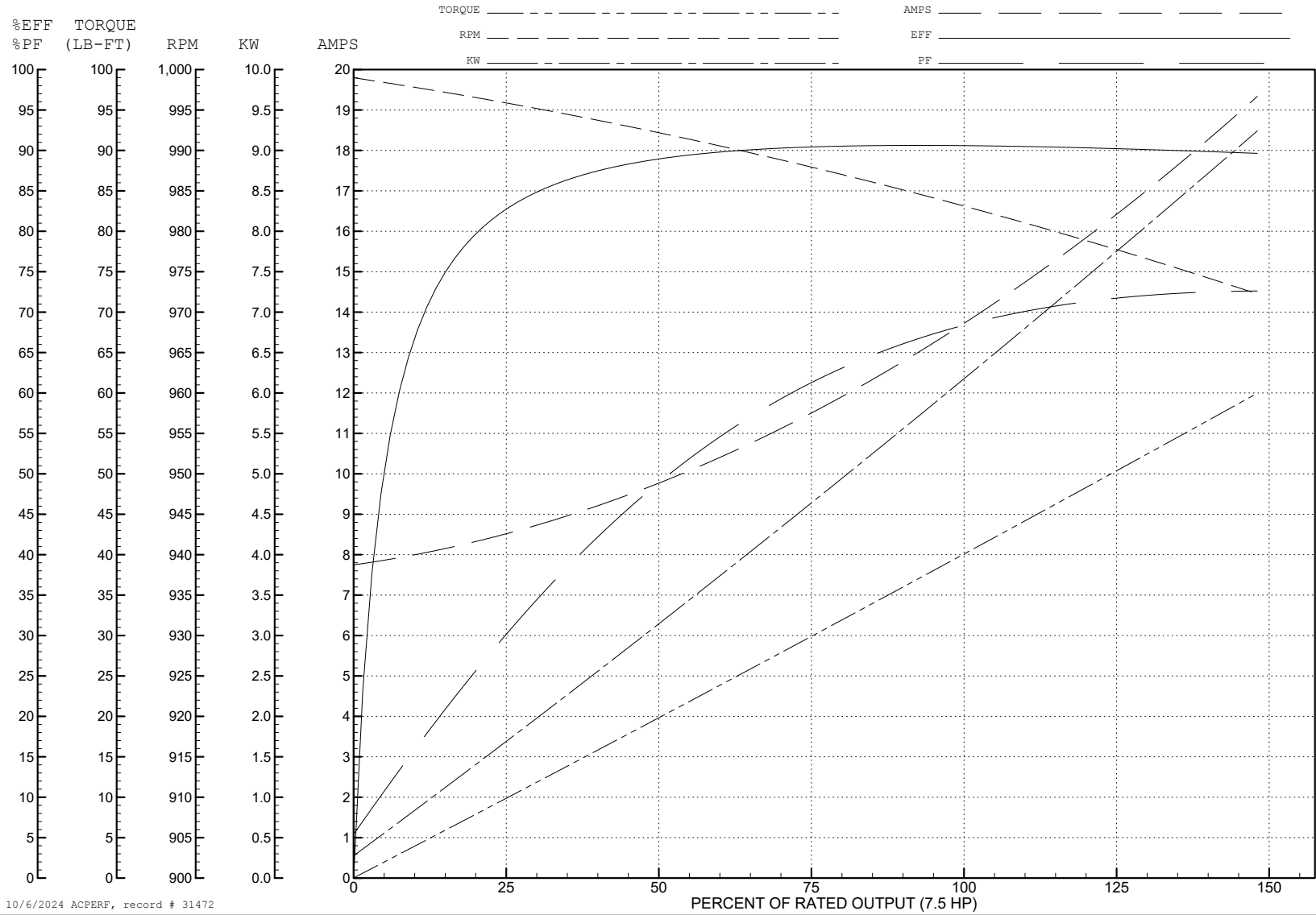
ABB Motors and Mechanical Inc.

WINDING # 09WGZ383

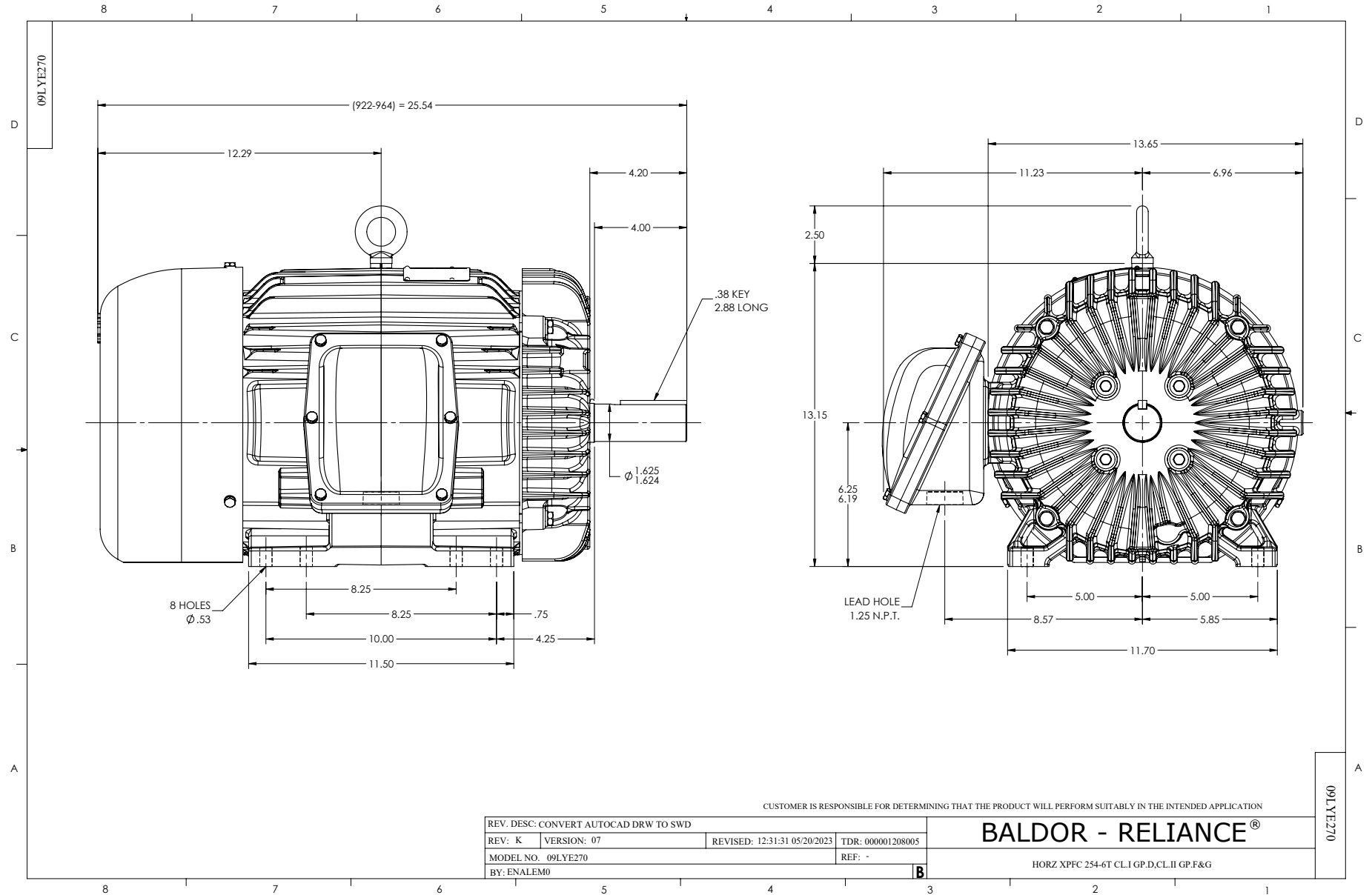
7.5 HP 3 PH 50 HZ 984 RPM 380 V 0956M

Typical performance - not guaranteed values.

TORQUES (LB-FT): PO=141 PU=56.4 LR=77.5 LRA=93.4



10/6/2024 ACPERF, record # 31472



CUSTOMER IS RESPONSIBLE FOR DETERMINING THAT THE PRODUCT WILL PERFORM SUITABLY IN THE INTENDED APPLICATION

REV. DESC: CONVERT AUTOCAD DRW TO SWD			
REV: K	VERSION: 07	REVISED: 12/31/2023	TDR: 00001208005
MODEL NO. 09LYE270		REF: -	
BY: ENALEM0		B	

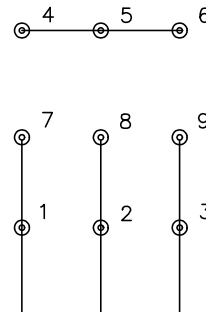
BALDOR - RELIANCE®

HORZ XPFC 254-6T CL I GP.D.CL II GP.F&G

CD0005



LOW VOLTAGE
(2Y)



LINE

HIGH VOLTAGE
(1Y)



LINE

NOTES:

1. INTERCHANGE ANY TWO LINE LEADS TO REVERSE ROTATION.
2. OPTIONAL THERMOSTATS ARE PROVIDED WHEN SPECIFIED.
3. ACTUAL NUMBER OF INTERNAL PARALLEL CIRCUITS MAY BE A MULTIPLE OF THOSE SHOWN ABOVE.
4. LEAD COLORS ARE OPTIONAL. LEADS MUST ALWAYS BE NUMBERED AS SHOWN.

CD0005

REV. DESC: REVISE TO SHOW OPTIONAL COLORS			
REV. LTR: E	BY: JLP	REVISED: 01/19/99 10:15	TDR: 0171435
S00000		FILE: AAA00005140	MDL: -
		MTL: -	

BALDOR ELECTRIC Co.

3PH, DV, 9 LEADS