

BALDOR • RELIANCE

Customer information packet

XM21742T-5

7.5HP, 1770RPM, 3PH, 60HZ, 213T, XPFC, F1
Class - CLI GP D; CLII GP F,G
Division - Division I

Specifications

Enclosure	XPFC
Frame	213T
Frame Material	Steel
Frequency	60.00 Hz
Haz Area Class and Group	CLI GP D; CLII GP F,G
Haz Area Division	Division I
Motor Letter Type	Three Phase
Output @ Frequency	7.500 HP @ 60 HZ
Phase	3
Synchronous Speed @ Frequency	1800 RPM @ 60 HZ
Voltage @ Frequency	575.0 V @ 60 HZ
Agency Approvals	CSA EEV UL
Ambient Temperature	40 °C
Auxillary Box	No Auxillary Box
Auxillary Box Lead Termination	None
Base Indicator	Rigid
Bearing Grease Type	Polyrex EM (-20F +300F)
Blower	None
Constant Torque Speed Range	6
Current @ Voltage	7.600 A @ 575.0 V
Design Code	A
Drip Cover	No Drip Cover
Duty Rating	CONT
Efficiency @ 100% Load	91.7 %
Electrically Isolated Bearing	Not Electrically Isolated
Feedback Device	NO FEEDBACK
Haz Area Temp Code	T3C
Heater Indicator	No Heater
High Voltage Full Load Amps	7.6 a
Insulation Class	F
Inverter Code	Inverter Duty

Part detail

Revision	D
Type	AC
Mech. spec.	
Base	
Status	PRD/A
Elec. spec.	37WGT929
Layout	37LYN517
Eff. date	12-09-2021
CD Diagram	CD0006
Poles	04
Leads	3#14
Proprietary	False
Created date	04-04-2019

IP Rating	NONE
KVA Code	J
Lifting Lugs	Standard Lifting Lugs
Locked Bearing Indicator	Locked Bearing
Max Speed	2700 rpm
Motor Lead Termination	Flying Leads
Motor Standards	NEMA
Motor Type	3736M
Mounting Arrangement	F1
Number of Poles	4
Overall Length	19.32 IN
Power Factor	81
Product Family	General Purpose
Pulley Face Code	Standard
Rodent Screen	None
RoHS Status	ROHS NON-COMPLIANT
Service Factor	1.00
Shaft Diameter	1.375 IN
Shaft Ground Indicator	No Shaft Grounding
Shaft Rotation	Reversible
Speed	1770 rpm
Speed Code	Single Speed
Starting Method	Direct on line
Thermal Device - Bearing	None
Thermal Device - Winding	Normally Closed Thermostat
Vibration Sensor Indicator	No Vibration Sensor
Winding Thermal 1	None
Winding Thermal 2	None

Nameplate

NP0887XPSLEV

NO.		CC	010A				
S/N		TEMP CODE	T3C				
SPEC.	37-0000-0044	INV.TYPE	PWM				
CAT.NO.	XM21742T-5	C HP FR	60	C HP TO	90		
HP	7.5	CT HZ FROM	6	CT HZ TO	60		
VOLTS	575	VT HZ FROM	6	VT HZ TO	60		
AMPS	7.6	MAG CUR	3.7				
RPM	1770	MX RPM	2700				
HZ	60	PH	3	CL	F	NOM.EFF.	91.7
SER.F.	1.00	DES	A	SL HZ	1	WK2	0.89
FRAME	213T	RATING	40C AMB-CONT				
	55C AMB @ 1.0 SF						
	1.15 SF SINEWAVE		NEMA MG-1 PT 5,IP54				

AC Induction Motor Performance Data

Record # 75260

Typical performance - not guaranteed values

Winding: 37WGT929-R023		Type: 3736M	Enclosure: TEFC
Nameplate Data		575 V, 60 Hz: Single Voltage Motor	
Rated Output (HP)	7.5	Full Load Torque	22.2 LB-FT
Volts	575	Start Configuration	direct on line
Full Load Amps	7.6	Breakdown Torque	70.4 LB-FT
R.P.M.	1770	Pull-up Torque	34.1 LB-FT
Hz	60 Phase	Locked-rotor Torque	43 LB-FT
NEMA Design Code	A KVA Code	Starting Current	58.5 A
Service Factor (S.F.)	1	No-load Current	3.7 A
NEMA Nom. Eff.	91.7 Power Factor	Line-line Res. @ 25°C	2.2 Ω
Rating - Duty	40C AMB-CONT	Temp. Rise @ Rated Load	54°C
		Locked-rotor Power Factor	37.8
		Rotor inertia	0.885 LB-FT ²

Load Characteristics 575 V, 60 Hz, 7.5 HP

% of Rated Load	25	50	75	100	125	150
Power Factor	38	61	74	81	83	84
Efficiency	87.5	91.1	92.3	91.6	90.9	89.6
Speed	1793	1786	1778	1770	1762	1752
Line amperes	4.2	5.01	6.17	7.58	9.25	11.2

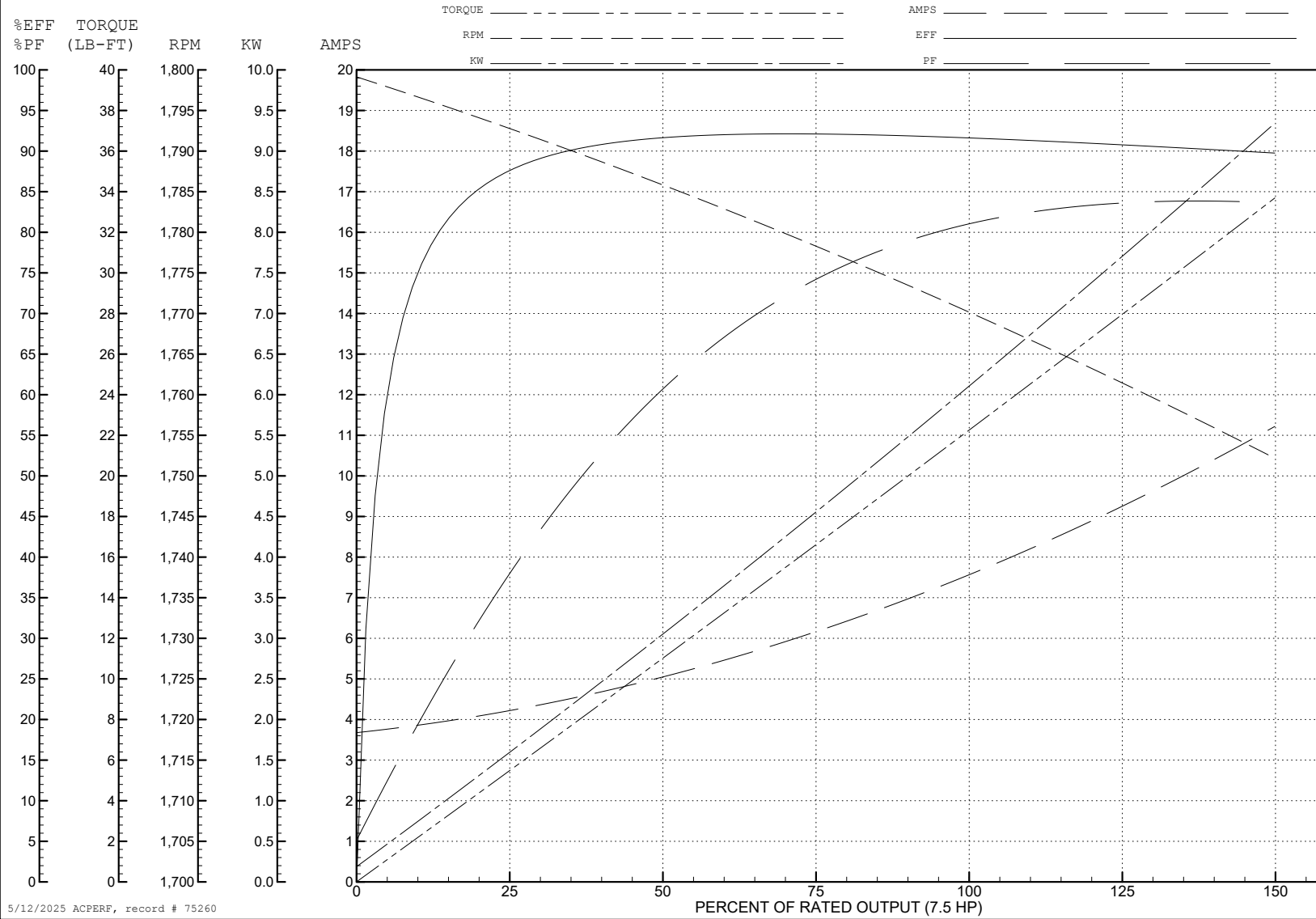
ABB Motors and Mechanical Inc.

WINDING # 37WGT929

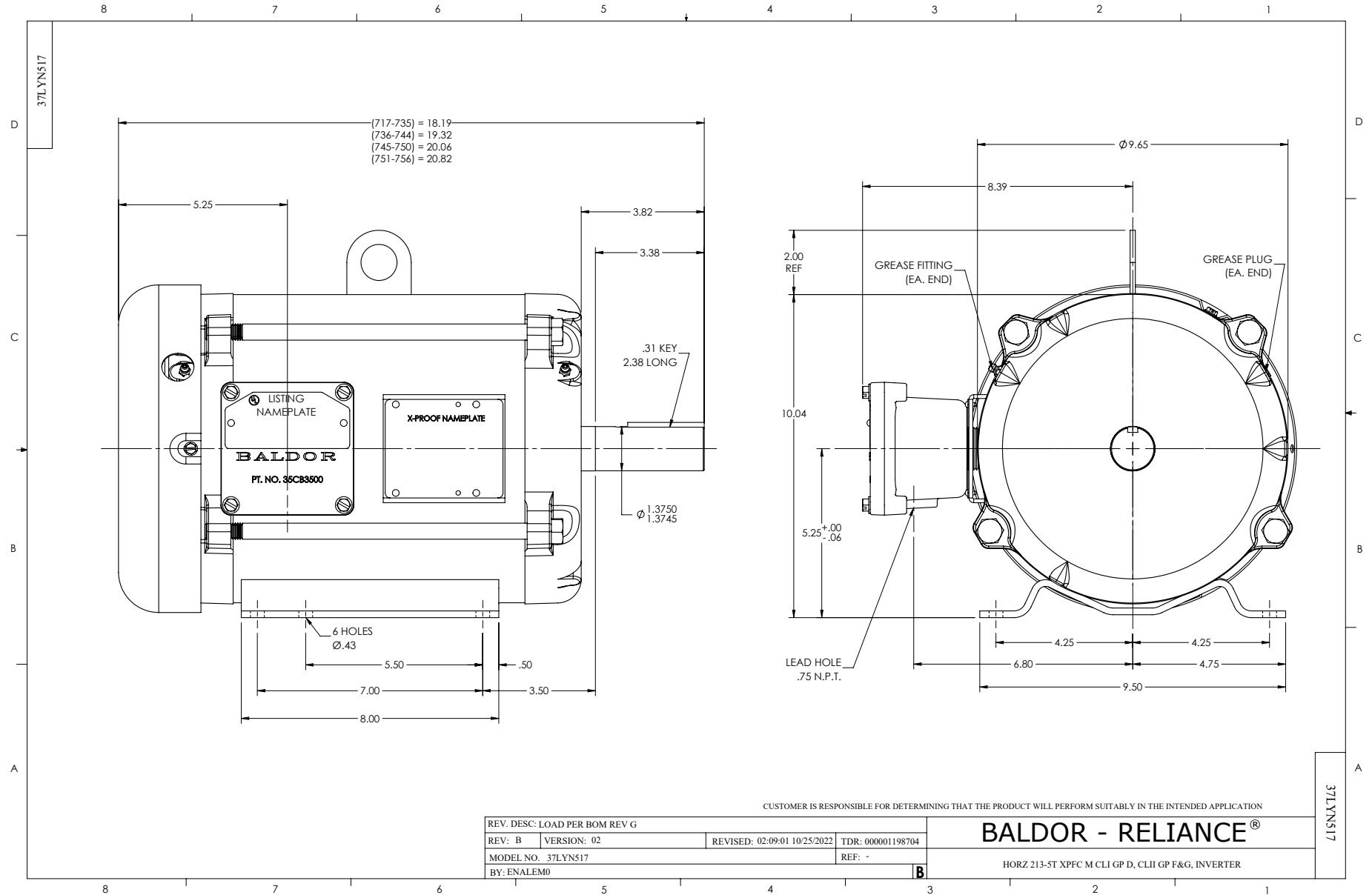
Typical performance - not guaranteed values.

7.5 HP 3 PH 60 HZ 1770 RPM 575 V 3736M

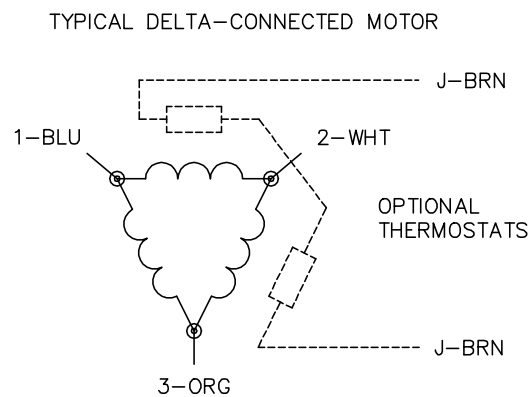
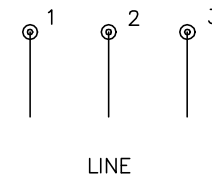
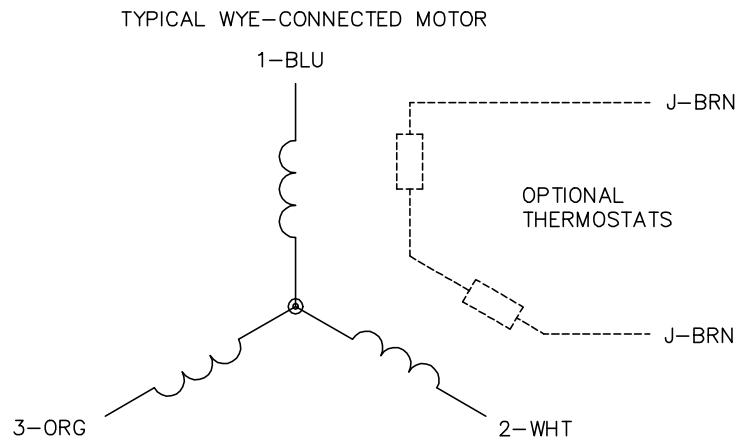
TORQUES (LB-FT): PO=70.4 PU=34.1 LR=43 LRA=58.5



5/12/2025 ACPERF, record # 75260



CD0006



NOTES:

1. THREE LEAD MOTOR MAY BE EITHER WYE CONNECTED OR DELTA CONNECTED.
2. INTERCHANGE ANY TWO LINE LEADS TO REVERSE ROTATION.
3. OPTIONAL THERMOSTATS ARE PROVIDED WHEN SPECIFIED.
4. ACTUAL NUMBER OF INTERNAL PARALLEL CIRCUITS MAY VARY.
5. LEAD COLORS ARE OPTIONAL. LEADS MUST BE NUMBERED AS SHOWN.

CD0006

REV. DESC: ADD CLASS CONN00000007		
REV. LTR: E	VERSION: 01	TDR: 000001099922
FILE: \AAA\00005\141	REVISED: 10:24:49 02/19/2019	BY: ENBRIRO
MTL: -	© □	

BALDOR - RELIANCE®

3PH, SV, 3 LEADS, WYE OR DELTA CONNECTED

SH 1 of 1