



Customer information packet

XM141522T-5

1.5HP, 3490RPM, 3PH, 60HZ, 143T, 3520M, XPFC, F
Class - CLI GP D; CLII GP F,G
Division - Division I

Specifications

Enclosure	XPFC
Frame	143T
Frame Material	Steel
Frequency	60.00 Hz
Haz Area Class and Group	CLI GP D; CLII GP F,G
Haz Area Division	Division I
Motor Letter Type	Three Phase
Output @ Frequency	1.500 HP @ 60 HZ
Phase	3
Synchronous Speed @ Frequency	3600 RPM @ 60 HZ
Voltage @ Frequency	575.0 V @ 60 HZ
Agency Approvals	UL CSA EEV
Ambient Temperature	40 °C
Auxillary Box	No Auxillary Box
Auxillary Box Lead Termination	None
Base Indicator	Rigid
Bearing Grease Type	Polyrex EM (-20F +300F)
Blower	None
Constant Torque Speed Range	6
Current @ Voltage	1.600 A @ 575.0 V
Design Code	B
Drip Cover	No Drip Cover
Duty Rating	CONT
Efficiency @ 100% Load	84.0 %
Electrically Isolated Bearing	Not Electrically Isolated
Feedback Device	NO FEEDBACK
Haz Area Temp Code	T3C
Heater Indicator	No Heater
High Voltage Full Load Amps	1.6 a
Insulation Class	F
Inverter Code	Inverter Duty

Part detail

Revision	-
Type	AC
Mech. spec.	
Base	
Status	PRD/A
Elec. spec.	35WGA0037
Layout	35LYQ558
Eff. date	04-28-2021
CD Diagram	CD0006
Poles	02
Leads	3#18
Proprietary	False
Created date	04-22-2021

IP Rating	NONE
KVA Code	L
Lifting Lugs	No Lifting Lugs
Locked Bearing Indicator	No Locked Bearing
Max Speed	5400 rpm
Motor Lead Termination	Flying Leads
Motor Standards	NEMA
Motor Type	3520M
Mounting Arrangement	F1
Number of Poles	2
Overall Length	14.34 IN
Power Factor	84
Product Family	General Purpose
Pulley Face Code	Standard
Rodent Screen	None
Service Factor	1.00
Shaft Diameter	0.875 IN
Shaft Ground Indicator	No Shaft Grounding
Shaft Rotation	Reversible
Speed	3490 rpm
Speed Code	Single Speed
Starting Method	Direct on line
Thermal Device - Bearing	None
Thermal Device - Winding	Normally Closed Thermostat
Vibration Sensor Indicator	No Vibration Sensor
Winding Thermal 1	None
Winding Thermal 2	None

Nameplate

NP0887XPSLEV

NO.		CC	010A						
S/N		TEMP CODE	T3C						
SPEC.	35-0000-1124	INV.TYPE	PWM						
CAT.NO.	XM141522T-5	C HP FR	60	C HP TO	90				
HP	1.5	CT HZ FROM	6	CT HZ TO	60				
VOLTS	575	VT HZ FROM	6	VT HZ TO	60				
AMPS	1.6	MAG CUR	.81						
RPM	3490	MX RPM	5400						
HZ	60	PH	3	CL	F	NOM.EFF.	84		
SER.F.	1.00	DES	B	SL HZ	1.8	WK2	0.06		
FRAME	143T	RATING	40C AMB-CONT						
	NEMA MG-1 PART 5, IP54								
	1.15 SF ON SINE WAVE								

AC Induction Motor Performance Data

Record # 87346

Typical performance - not guaranteed values

Winding: 35WGM760-R082		Type: 3520M		Enclosure: TEFC	
Nameplate Data			460 V, 60 Hz: High Voltage Connection		
Rated Output (HP)	1.5	Full Load Torque	2.269 LB-FT		
Volts	208-230/460	Start Configuration	direct on line		
Full Load Amps	4-3.8/1.9	Breakdown Torque	10.6 LB-FT		
R.P.M.	3500	Pull-up Torque	6.56 LB-FT		
Hz	60 Phase	3	Locked-rotor Torque	9.32 LB-FT	
NEMA Design Code	B KVA Code	L	Starting Current	19.8 A	
Service Factor (S.F.)		1.15	No-load Current	0.96 A	
NEMA Nom. Eff.	84 Power Factor	85	Line-line Res. @ 25°C	9.6914 Ω	
Rating - Duty		40 AMB-CONT	Temp. Rise @ Rated Load	40°C	
S.F. Amps			Temp. Rise @ S.F. Load	47°C	

Load Characteristics 460 V, 60 Hz, 1.5 HP

% of Rated Load	25	50	75	100	125	150	S.F.
Power Factor	47	67	78	84	88	90	86
Efficiency	70.4	80.6	83.5	84.3	83.9	82.9	84.1
Speed	3569.9	3545.8	3520.8	3493.4	3464.3	3433	3476
Line amperes	1.08	1.31	1.62	1.99	2.39	2.83	2.23

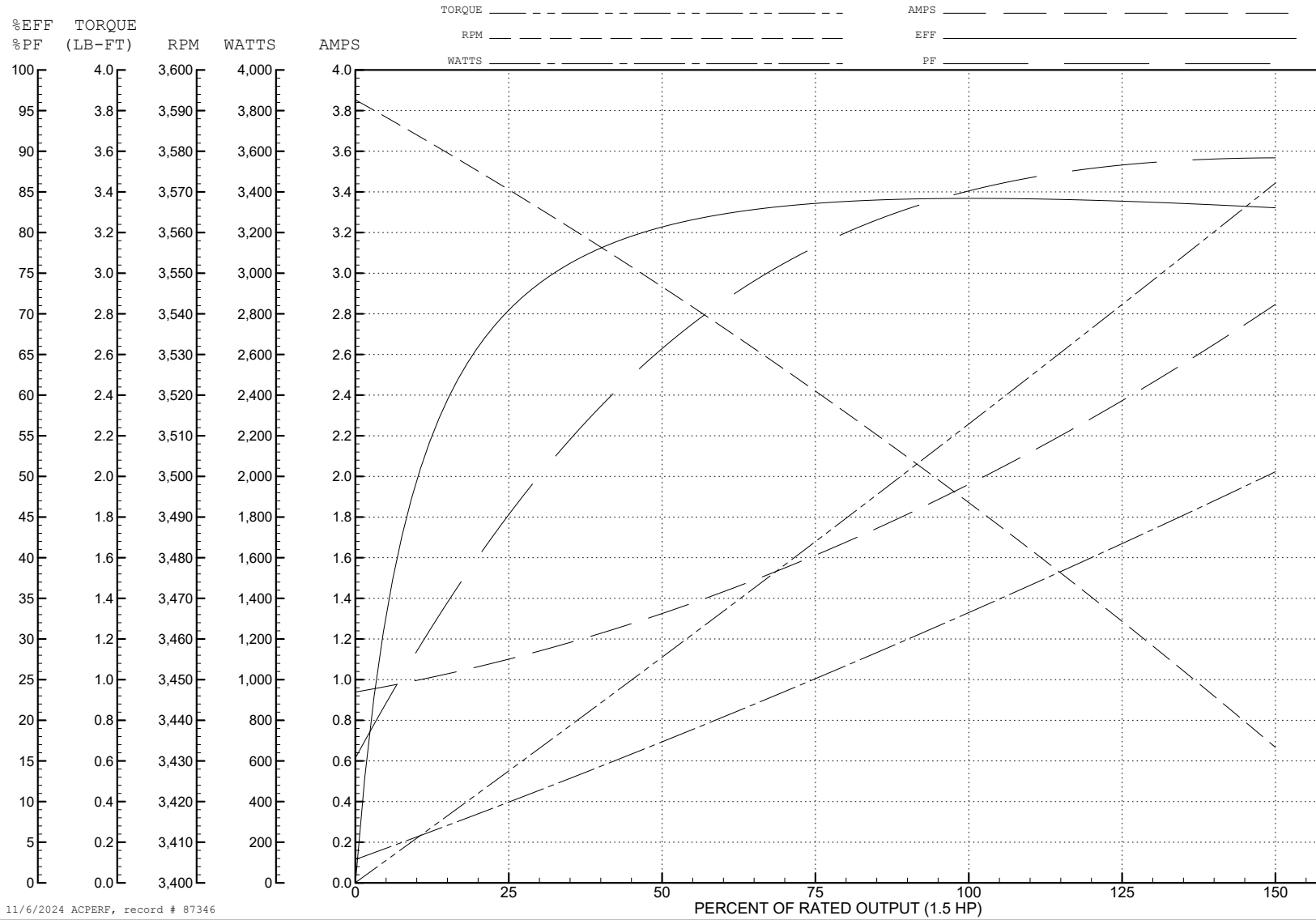
ABB Motors and Mechanical Inc.

WINDING # 35WGM760

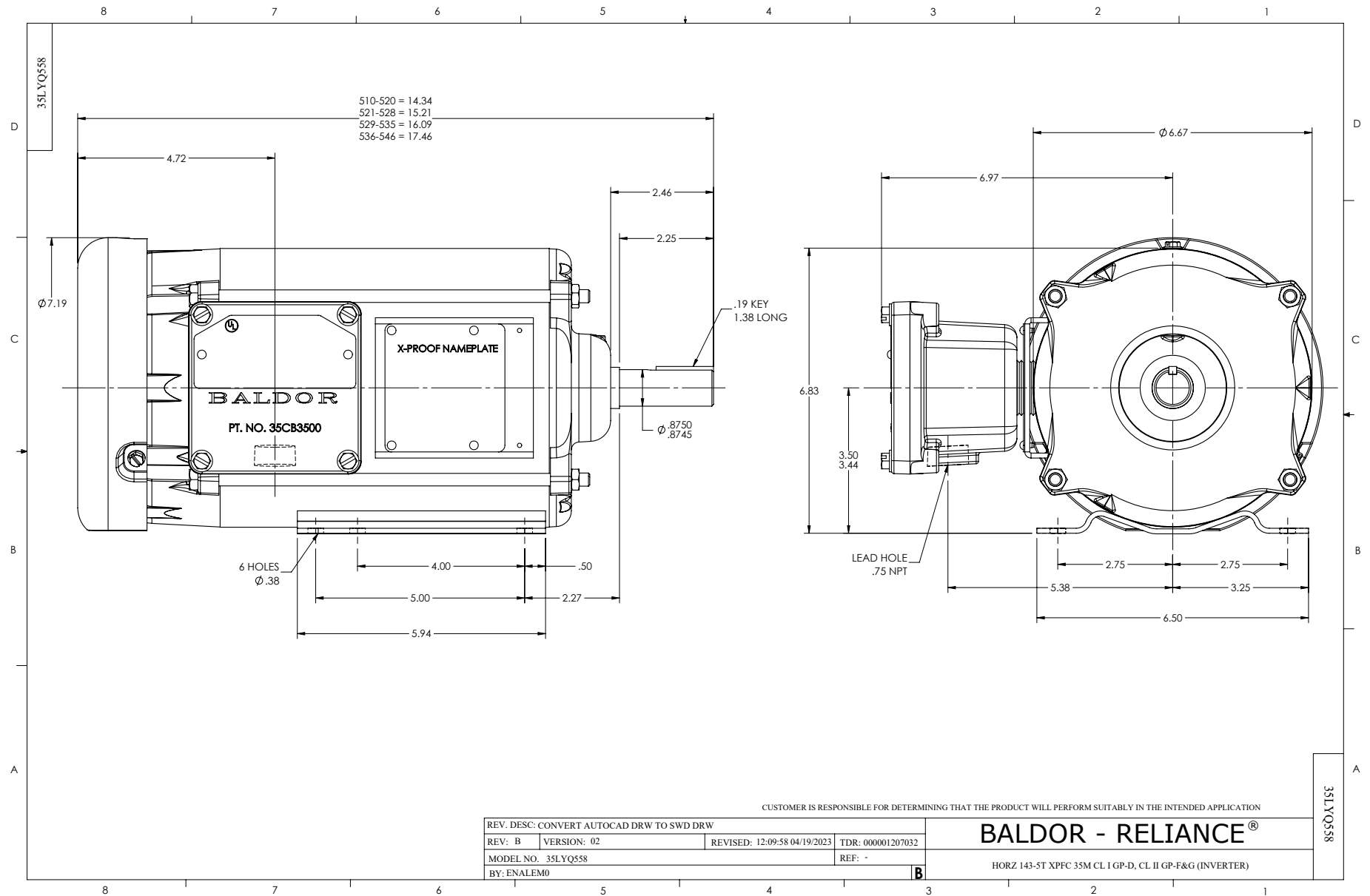
1.5 HP 3 PH 60 HZ 3500 RPM 460 V 3520M

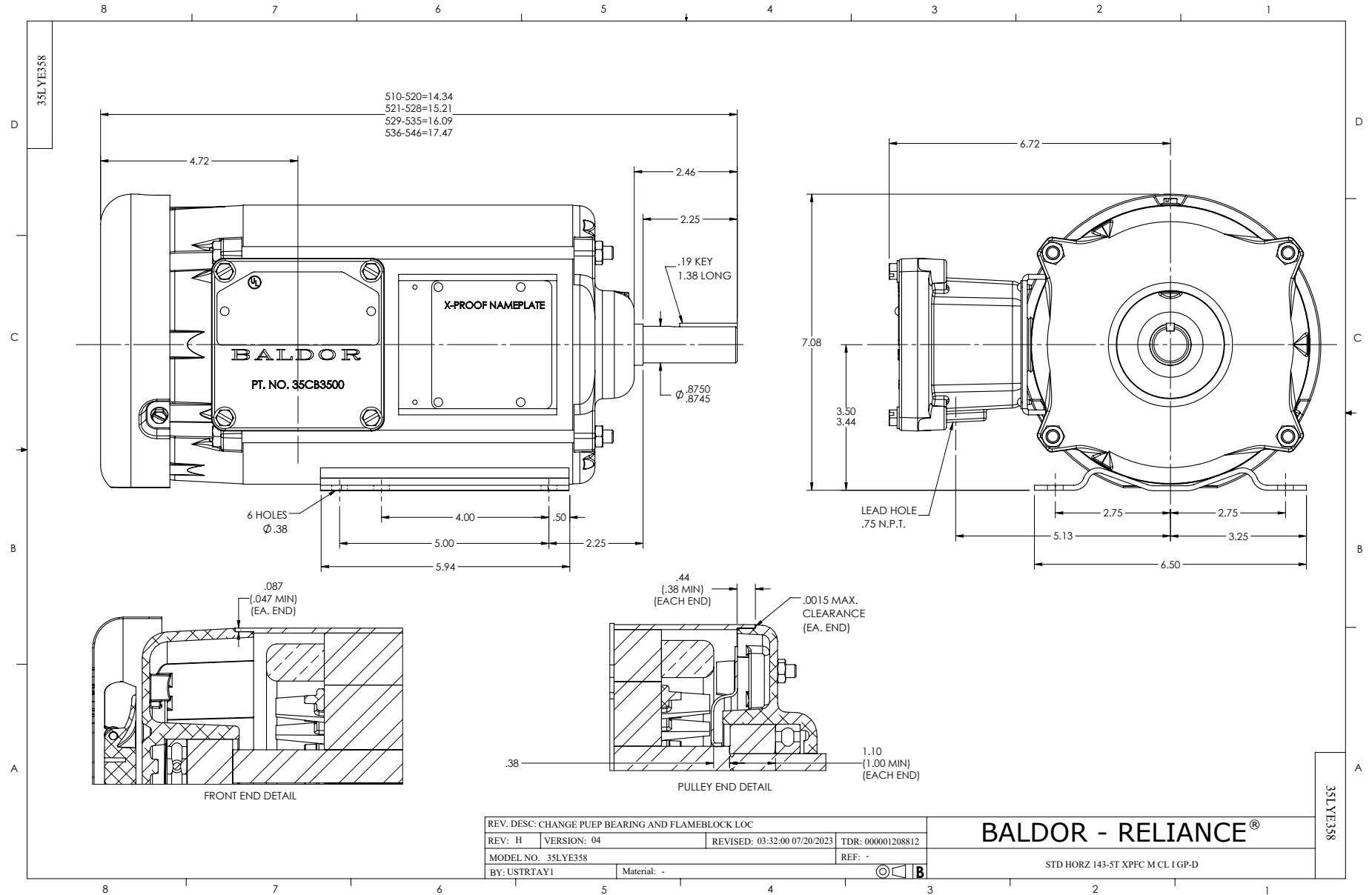
Typical performance - not guaranteed values.

TORQUES (LB-FT): PO=10.6 PU=6.56 LR=9.32 LRA=19.8

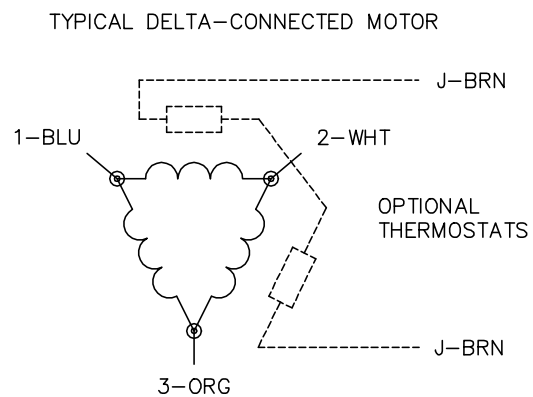
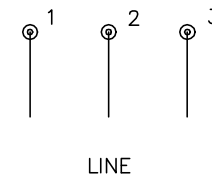
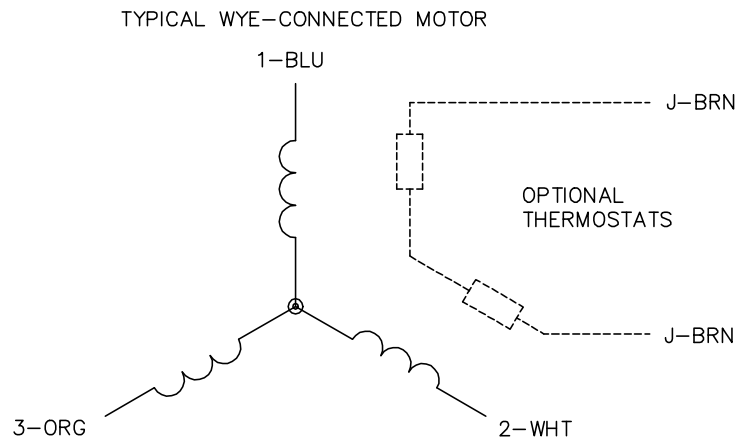


11/6/2024 ACPERF, record # 87346





CD0006



NOTES:

1. THREE LEAD MOTOR MAY BE EITHER WYE CONNECTED OR DELTA CONNECTED.
2. INTERCHANGE ANY TWO LINE LEADS TO REVERSE ROTATION.
3. OPTIONAL THERMOSTATS ARE PROVIDED WHEN SPECIFIED.
4. ACTUAL NUMBER OF INTERNAL PARALLEL CIRCUITS MAY VARY.
5. LEAD COLORS ARE OPTIONAL. LEADS MUST BE NUMBERED AS SHOWN.

CD0006

REV. DESC: ADD CLASS CONN00000007		
REV. LTR: E	VERSION: 01	TDR: 000001099922
FILE: \AAA\00005\141	REVISED: 10:24:49 02/19/2019	BY: ENBRIRO
MTL: -	© □	

BALDOR - RELIANCE®

3PH, SV, 3 LEADS, WYE OR DELTA CONNECTED

SH 1 of 1