



Customer information packet

XM14142T-5

1HP, 1774RPM, 3PH, 60HZ, 143T, 3522M, XPFC, F1

Class - CLI GP D; CLII GP F,G

Division - Division I

Specifications

Enclosure	XPFC
Frame	143T
Frame Material	Steel
Frequency	60.00 Hz
Haz Area Class and Group	CLI GP D; CLII GP F,G
Haz Area Division	Division I
Motor Letter Type	Three Phase
Output @ Frequency	1.000 HP @ 60 HZ
Phase	3
Synchronous Speed @ Frequency	1800 RPM @ 60 HZ
Voltage @ Frequency	575.0 V @ 60 HZ
Agency Approvals	CSA EEV UL
Ambient Temperature	40 °C
Auxillary Box	No Auxillary Box
Auxillary Box Lead Termination	None
Base Indicator	Rigid
Bearing Grease Type	Polyrex EM (-20F +300F)
Blower	None
Constant Torque Speed Range	1.3
Current @ Voltage	1.300 A @ 575.0 V
Design Code	B
Drip Cover	No Drip Cover
Duty Rating	CONT
Efficiency @ 100% Load	85.5 %
Electrically Isolated Bearing	Not Electrically Isolated
Feedback Device	NO FEEDBACK
Front Shaft Indicator	None
Haz Area Temp Code	T3C
Heater Indicator	No Heater
High Voltage Full Load Amps	1.3 a
Insulation Class	F

Part detail

Revision	D
Type	AC
Mech. spec.	35Q558
Base	
Status	PRD/A
Elec. spec.	35WGG119
Layout	35LYQ558
Eff. date	06-22-2023
CD Diagram	CD0006
Poles	04
Leads	3#18
Proprietary	False
Created date	01-10-2022

Inverter Code	Not Inverter
KVA Code	M
Lifting Lugs	No Lifting Lugs
Locked Bearing Indicator	No Locked Bearing
Max Speed	2700 rpm
Motor Lead Quantity/Wire Size	3 @ 18 AWG
Motor Lead Termination	Flying Leads
Motor Standards	NEMA
Motor Type	X3522M
Mounting Arrangement	F1
Number of Poles	4
Overall Length	16.09 IN
Power Factor	70
Product Family	Hazardous Location Motor
Pulley End Bearing Type	Ball
Pulley Face Code	Standard
Pulley Shaft Indicator	Standard
Rodent Screen	None
Service Factor	1.00
Shaft Diameter	0.875 IN
Shaft Ground Indicator	No Shaft Grounding
Shaft Rotation	Reversible
Shaft Slinger Indicator	No Slinger
Speed	1775 rpm
Speed Code	Single Speed
Starting Method	Direct on line
Thermal Device - Bearing	None
Thermal Device - Winding	Normally Closed Thermostat
Vibration Sensor Indicator	No Vibration Sensor
Winding Thermal 1	None
Winding Thermal 2	None

Nameplate

NP0887XPSLEV

NO.		CC	010A		
S/N		TEMP CODE	T3C		
SPEC.	35Q558G119G1	INV.TYPE	PWM		
CAT.NO.	XM14142T-5	C HP FR	60	C HP TO	90
HP	1	CT HZ FROM	1.3	CT HZ TO	60
VOLTS	575	VT HZ FROM	1.3	VT HZ TO	60
AMPS	1.3	MAG CUR			
RPM	1775	MX RPM	2700		
HZ	60	PH	3	CL	F
		NOM.EFF.	85.5		
SER.F.	1.00	DES	B	SL HZ	
		WK2	0.159		
FRAME	143T	RATING	40C AMB-CONT		
			55C AMB AT 1.00 SF SINEWAVE		
			NEMA MG-1 PART 5, IP54		
			1.15 SF SINEWAVE		

AC Induction Motor Performance Data

Record # 87429

Typical performance - not guaranteed values

Winding: 35WGG119-R003		Type: 3522M	Enclosure: XPFC
Nameplate Data		575 V, 60 Hz: Single Voltage Motor	
Rated Output (HP)	1	Full Load Torque	2.99 LB-FT
Volts	575	Start Configuration	direct on line
Full Load Amps	1.3	Breakdown Torque	13.4 LB-FT
R.P.M.	1775	Pull-up Torque	6.8 LB-FT
Hz	60 Phase	Locked-rotor Torque	8.3 LB-FT
NEMA Design Code	B KVA Code	Starting Current	10.9 A
Service Factor (S.F.)	1	No-load Current	0.87 A
NEMA Nom. Eff.	85.5 Power Factor	Line-line Res. @ 25°C	30.1 Ω
Rating - Duty	40C AMB-CONT	Temp. Rise @ Rated Load	36°C
S.F. Amps		Temp. Rise @ S.F. Load	43°C
		Locked-rotor Power Factor	63.4
		Rotor inertia	0.159 lb-ft ²

Load Characteristics 575 V, 60 Hz, 1 HP

% of Rated Load	25	50	75	100	125	150
Power Factor	31	48	61	70	76	80
Efficiency	72.1	81.6	84.9	85.8	85.7	85
Speed	1794	1787	1781	1774	1767	1758
Line amperes	0.89	0.97	1.1	1.26	1.44	1.65

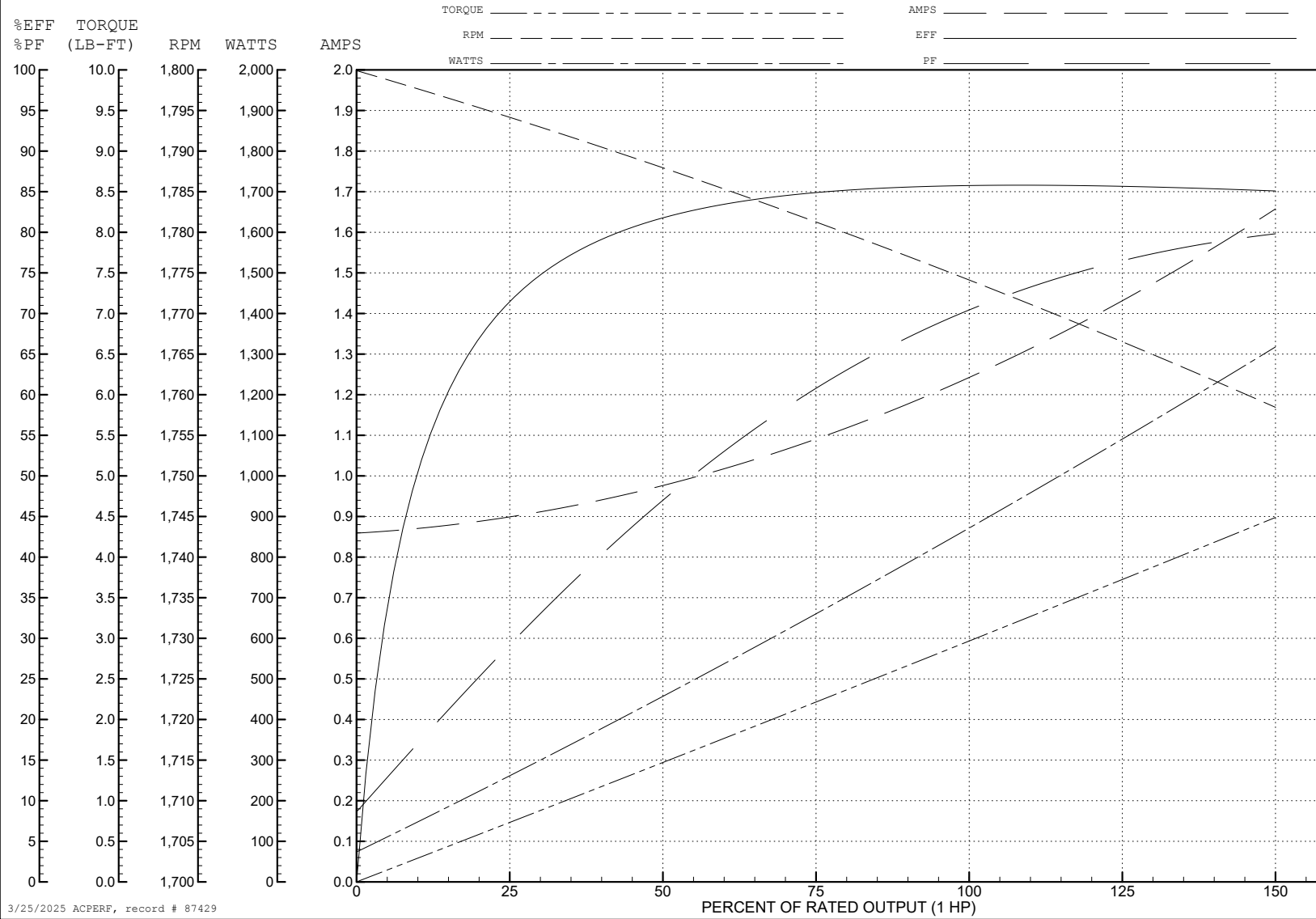
ABB Motors and Mechanical Inc.

WINDING # 35WGG119

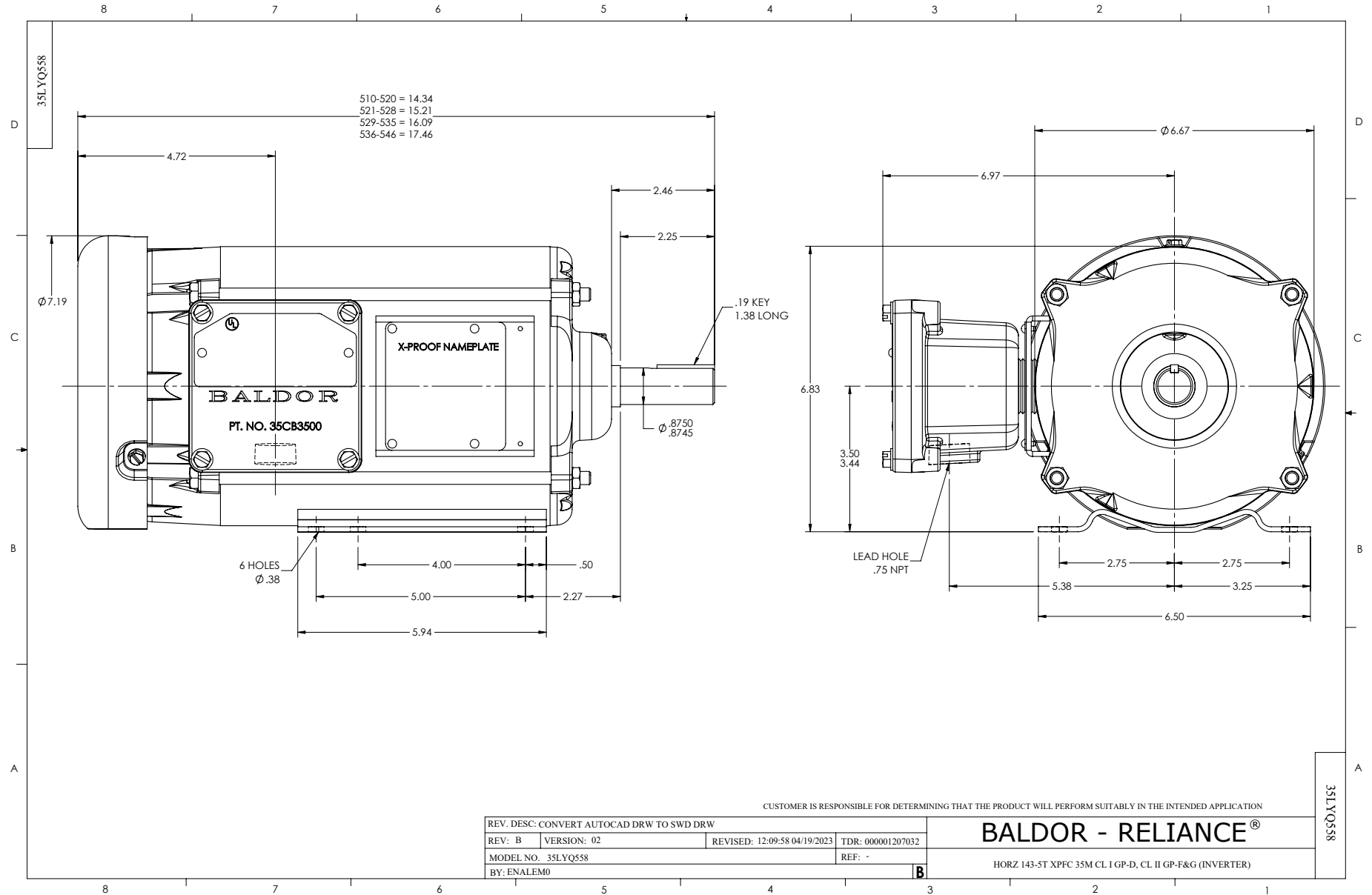
Typical performance - not guaranteed values.

1 HP 3 PH 60 HZ 1775 RPM 575 V 3522M

TORQUES (LB-FT): PO=13.4 PU=6.8 LR=8.3 LRA=10.9



3/25/2025 ACPERF, record # 87429



CD0006



NOTES:

1. THREE LEAD MOTOR MAY BE EITHER WYE CONNECTED OR DELTA CONNECTED.
2. INTERCHANGE ANY TWO LINE LEADS TO REVERSE ROTATION.
3. OPTIONAL THERMOSTATS ARE PROVIDED WHEN SPECIFIED.
4. ACTUAL NUMBER OF INTERNAL PARALLEL CIRCUITS MAY VARY.
5. LEAD COLORS ARE OPTIONAL. LEADS MUST BE NUMBERED AS SHOWN.

CD0006

REV. DESC: ADD CLASS CONN00000007		
REV. LTR: E	VERSION: 01	TDR: 000001099922
FILE: \AAA\00005\141	REVISED: 10:24:49 02/19/2019	BY: ENBRIRO
MTL: -	© □	

BALDOR - RELIANCE®

3PH, SV, 3 LEADS, WYE OR DELTA CONNECTED

SH 1 of 1