



Customer information packet

XM05142-5

1HP, 1774RPM, 3PH, 60HZ, 56, 3522M, XPFC, F1, N
Class - CLI GP D; CLII GP F,G
Division - Division I

Specifications

Enclosure	XPFC
Frame	56
Frame Material	Steel
Frequency	60.00 Hz
Motor Letter Type	Three Phase
Output @ Frequency	1.000 HP @ 60 HZ
Phase	3
Synchronous Speed @ Frequency	1800 RPM @ 60 HZ
Voltage @ Frequency	575.0 V @ 60 HZ
XP Class and Group	CLI GP D; CLII GP F,G
XP Division	Division I
Agency Approvals	CSA EEV UL
Ambient Temperature	40 °C
Auxillary Box	No Auxillary Box
Auxillary Box Lead Termination	None
Base Indicator	Rigid
Bearing Grease Type	Polyrex EM (-20F +300F)
Blower	None
Constant Torque Speed Range	1.3
Current @ Voltage	1.300 A @ 575.0 V
Design Code	B
Drip Cover	No Drip Cover
Duty Rating	CONT
Efficiency @ 100% Load	85.5 %
Electrically Isolated Bearing	Not Electrically Isolated
Feedback Device	NO FEEDBACK
Front Shaft Indicator	None
Heater Indicator	No Heater
High Voltage Full Load Amps	1.3 a
Insulation Class	F
Inverter Code	Inverter Ready

Part detail

Revision	B
Type	AC
Mech. spec.	35E356
Base	
Status	PRD/A
Elec. spec.	35WGG119
Layout	35LYE356
Eff. date	03-24-2023
CD Diagram	CD0006
Poles	04
Leads	3#18
Proprietary	False
Created date	01-10-2022

KVA Code	N
Lifting Lugs	No Lifting Lugs
Locked Bearing Indicator	No Locked Bearing
Max Speed	2700 rpm
Motor Lead Quantity/Wire Size	3 @ 18 AWG
Motor Lead Termination	Flying Leads
Motor Standards	NEMA
Motor Type	X3522M
Mounting Arrangement	F1
Number of Poles	4
Overall Length	16.03 IN
Power Factor	67
Product Family	General Purpose
Pulley End Bearing Type	Ball
Pulley Face Code	Standard
Pulley Shaft Indicator	Standard
Rodent Screen	None
Service Factor	1.00
Shaft Diameter	0.625 IN
Shaft Ground Indicator	No Shaft Grounding
Shaft Rotation	Reversible
Shaft Slinger Indicator	No Slinger
Speed	1774 rpm
Speed Code	Single Speed
Starting Method	Direct on line
Thermal Device - Bearing	None
Thermal Device - Winding	Normally Closed Thermostat
Vibration Sensor Indicator	No Vibration Sensor
Winding Thermal 1	None
Winding Thermal 2	None
XP Temp Code	T3C

Nameplate

NP0887XPSLEV										
NO.		CC	010A							
S/N		TEMP CODE	T3C							
SPEC.	35E356G119G1		INV.TYPE	PWM						
CAT.NO.	XM05142-5		C HP FR	60	C HP TO	90				
HP	1		CT HZ FROM	1.3	CT HZ TO	60				
VOLTS	575		VT HZ FROM	1.3	VT HZ TO	60				
AMPS	1.3		MAG CUR							
RPM	1775		MX RPM	2700						
HZ	60	PH	3	CL	F	NOM.EFF.	85.5			
SER.F.	1.00	DES	B	SL HZ		WK2	0.159			
FRAME	56	RATING	40C AMB-CONT							
	55C AMB AT 1.00 SF SINEWAVE									
	NEMA MG-1 PART 5, IP54		1.15 SF SINEWAVE							

AC Induction Motor Performance Data

Record # 87429

Typical performance - not guaranteed values

Winding: 35WGG119-R003		Type: 3522M		Enclosure: XPFC	
Nameplate Data			575 V, 60 Hz: Single Voltage Motor		
Rated Output (HP)		1	Full Load Torque		2.99 LB-FT
Volts		575	Start Configuration		direct on line
Full Load Amps		1.3	Breakdown Torque		13.4 LB-FT
R.P.M.		1775	Pull-up Torque		6.8 LB-FT
Hz	60 Phase	3	Locked-rotor Torque		8.3 LB-FT
NEMA Design Code	B KVA Code	M	Starting Current		10.9 A
Service Factor (S.F.)		1	No-load Current		0.87 A
NEMA Nom. Eff.	85.5 Power Factor	70	Line-line Res. @ 25°C		30.1 Ω
Rating - Duty		40C AMB-CONT	Temp. Rise @ Rated Load		36°C
S.F. Amps			Temp. Rise @ S.F. Load		43°C
			Locked-rotor Power Factor		63.4
			Rotor inertia		0.159 lb-ft ²

Load Characteristics 575 V, 60 Hz, 1 HP

% of Rated Load	25	50	75	100	125	150
Power Factor	31	48	61	70	76	80
Efficiency	72.1	81.6	84.9	85.8	85.7	85
Speed	1794	1787	1781	1774	1767	1758
Line amperes	0.89	0.97	1.1	1.26	1.44	1.65

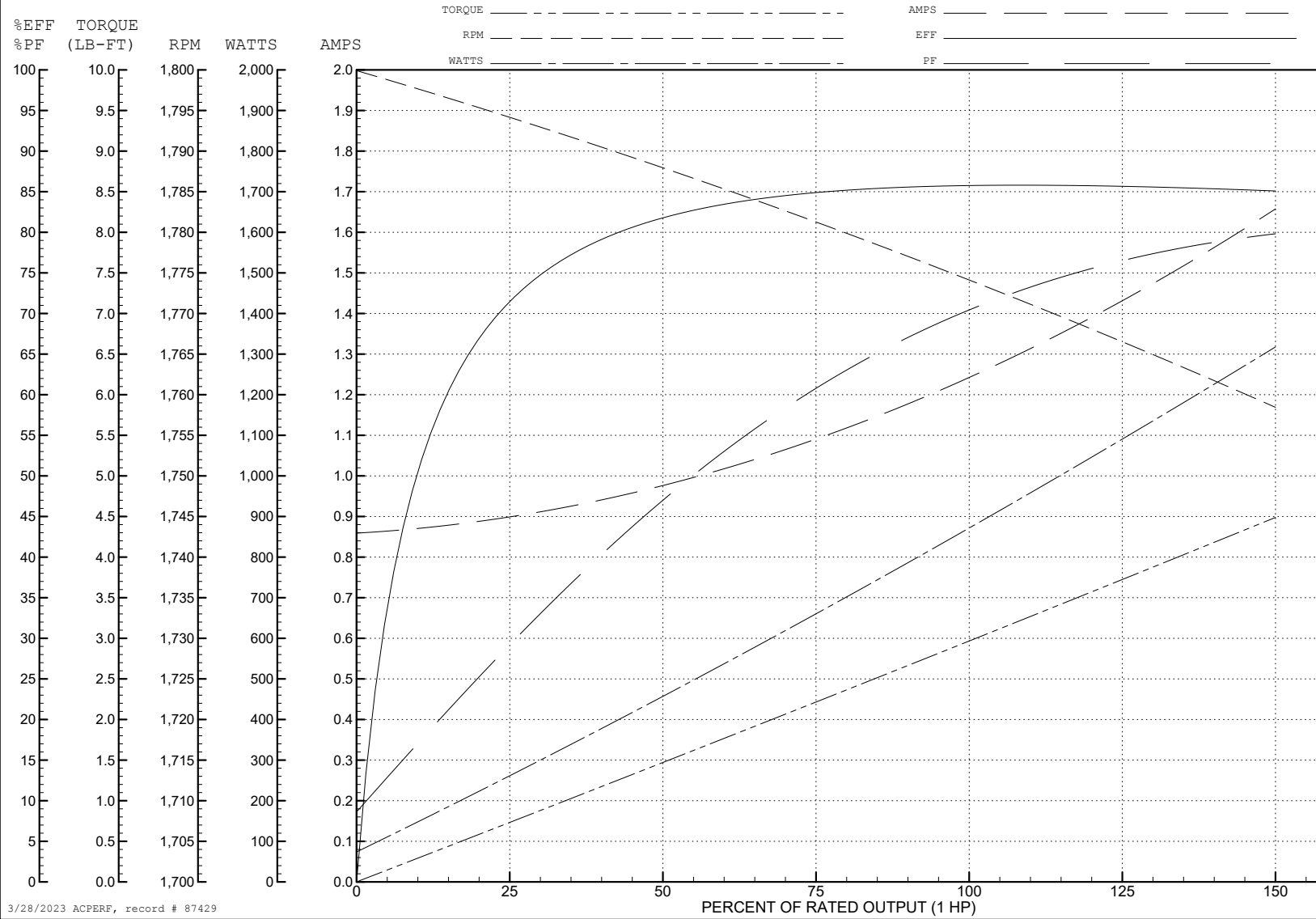
ABB Motors and Mechanical Inc.

WINDING # 35WGG119

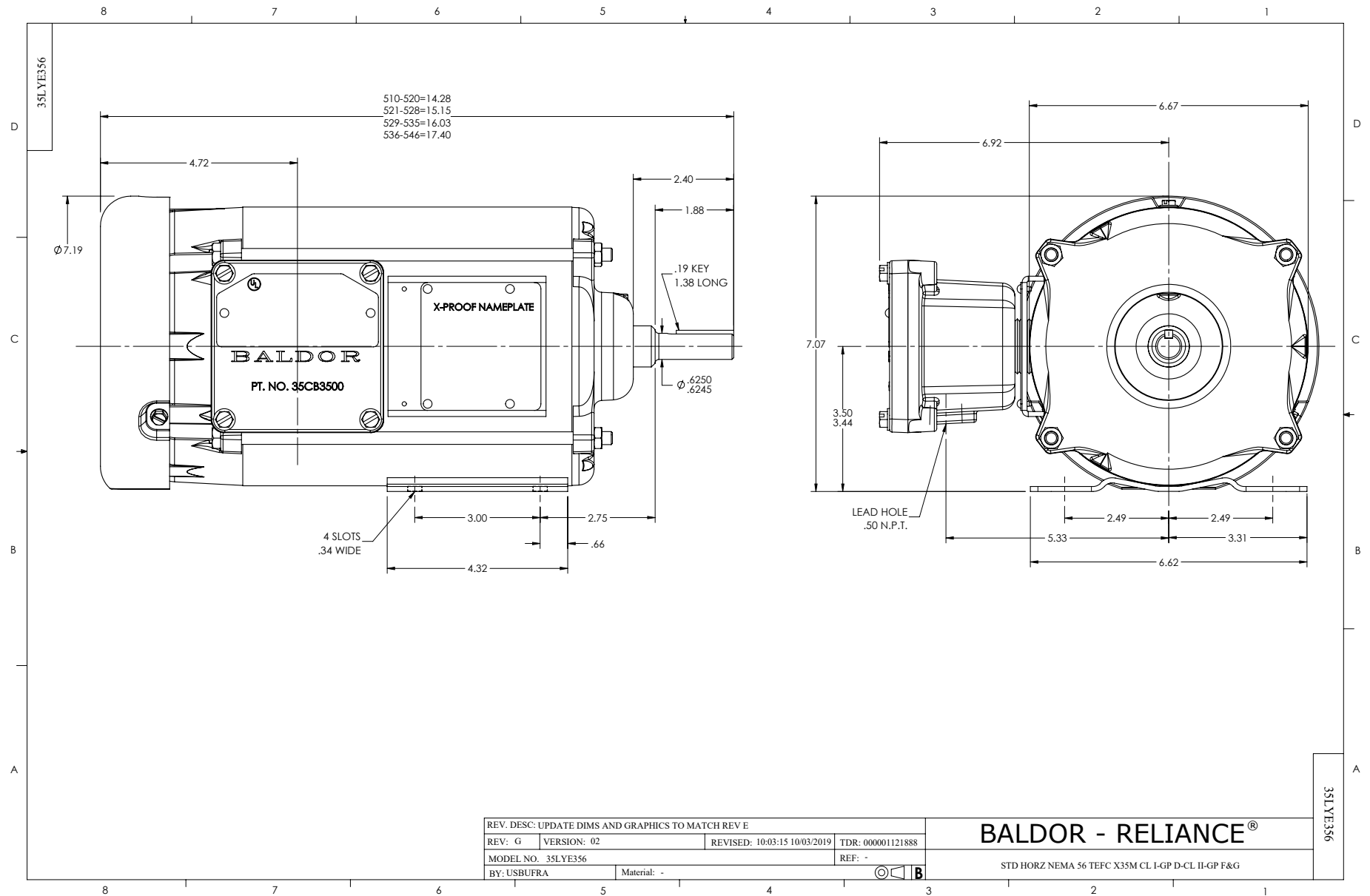
Typical performance - not guaranteed values.

1 HP 3 PH 60 HZ 1775 RPM 575 V 3522M

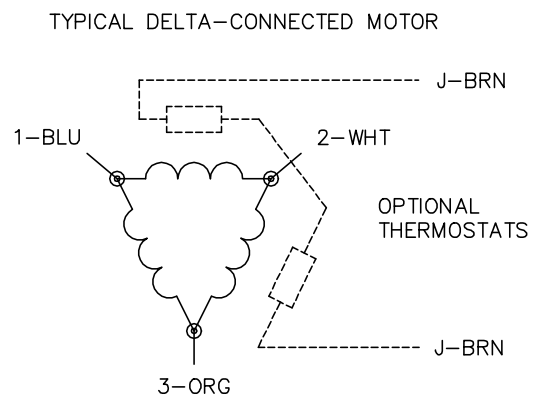
TORQUES (LB-FT): PO=13.4 PU=6.8 LR=8.3 LRA=10.9



3/28/2023 ACPERF, record # 87429



CD0006



NOTES:

1. THREE LEAD MOTOR MAY BE EITHER WYE CONNECTED OR DELTA CONNECTED.
2. INTERCHANGE ANY TWO LINE LEADS TO REVERSE ROTATION.
3. OPTIONAL THERMOSTATS ARE PROVIDED WHEN SPECIFIED.
4. ACTUAL NUMBER OF INTERNAL PARALLEL CIRCUITS MAY VARY.
5. LEAD COLORS ARE OPTIONAL. LEADS MUST BE NUMBERED AS SHOWN.

CD0006

REV. DESC: ADD CLASS CONN00000007		
REV. LTR: E	VERSION: 01	TDR: 000001099922
FILE: \AAA\00005\141	REVISED: 10:24:49 02/19/2019	BY: ENBRIRO
MTL: -	© □	

BALDOR - RELIANCE®

3PH, SV, 3 LEADS, WYE OR DELTA CONNECTED

SH 1 of 1