



Customer information packet

XM05122

1//0.75HP, 3450//2885RPM, 3PH, 60//50HZ, 56

Class - CLI GP D; CLII GP F,G

Division - Division I

Specifications

Enclosure	XPFC
Frame	56
Frame Material	Steel
Frequency	50.00 Hz 60.00 Hz
Motor Letter Type	Three Phase
Output @ Frequency	.750 HP @ 50 HZ 1.000 HP @ 60 HZ
Phase	3
Synchronous Speed @ Frequency	3600 RPM @ 60 HZ
Voltage @ Frequency	380.0 V @ 50 HZ 230.0 V @ 60 HZ 190.0 V @ 50 HZ 460.0 V @ 60 HZ
XP Class and Group	CLI GP D; CLII GP F,G
XP Division	Division I
Agency Approvals	CSA UR CSA EEV
Ambient Temperature	40 °C
Auxillary Box	No Auxillary Box
Auxillary Box Lead Termination	None
Base Indicator	Rigid
Bearing Grease Type	Polyrex EM (-20F +300F)
Blower	None
Constant Torque Speed Range	6
Current @ Voltage	2.800 A @ 230.0 V 2.600 A @ 190.0 V 1.400 A @ 460.0 V 1.300 A @ 380.0 V
Design Code	B
Drip Cover	No Drip Cover

Part detail

Revision	-
Type	AC
Mech. spec.	
Base	
Status	PRD/A
Elec. spec.	35WGS921
Layout	35LYE354
Eff. date	04-08-2021
CD Diagram	CD0005
Poles	02
Leads	9#18
Proprietary	False
Created date	03-23-2021

Duty Rating	CONT
Efficiency @ 100% Load	82.5 %
Electrically Isolated Bearing	Not Electrically Isolated
Feedback Device	NO FEEDBACK
Heater Indicator	No Heater
High Voltage Full Load Amps	1.3 a
Insulation Class	F
Inverter Code	Inverter Duty
IP Rating	NONE
KVA Code	L
Lifting Lugs	No Lifting Lugs
Locked Bearing Indicator	No Locked Bearing
Max Speed	5400 rpm
Motor Lead Termination	Flying Leads
Motor Standards	NEMA
Motor Type	3516M
Mounting Arrangement	F1
Number of Poles	2
Overall Length	14.30 IN
Power Factor	82
Product Family	General Purpose
Pulley Face Code	Standard
Rodent Screen	None
Service Factor	1.00
Shaft Diameter	0.625 IN
Shaft Ground Indicator	No Shaft Grounding
Shaft Rotation	Reversible
Speed	3450 rpm
Speed Code	Single Speed
Starting Method	Direct on line
Thermal Device - Bearing	None
Thermal Device - Winding	Normally Closed Thermostat
Vibration Sensor Indicator	No Vibration Sensor
Winding Thermal 1	None

Winding Thermal 2

None

XP Temp Code

T3C

Nameplate

NP0887XPSLEV

NO.		CC	010A		
S/N		TEMP CODE	T3C		
SPEC.	35-0000-1086	INV.TYPE	PWM		
CAT.NO.	XM05122	C HP FR	60	C HP TO	90
HP	1//0.75	CT HZ FROM	6	CT HZ TO	60
VOLTS	230/460//190/380	VT HZ FROM	6	VT HZ TO	60
AMPS	2.8/1.4//2.6/1.3	MAG CUR	1.4/.7		
RPM	3450//2885	MX RPM	5400		
HZ	60//50	PH	3	CL	F
		NOM.EFF.	82.5		
SER.F.	1.00	DES	B	SL HZ	2
		WK2	0.05		
FRAME	56	RATING	40C AMB-CONT		
	NEMA MG-1 PART 5, IP54				
	1.15 SF ON SINE WAVE				

AC Induction Motor Performance Data

Record # 58785

Typical performance - not guaranteed values

Winding: 35WGS921-R006		Type: 3516M	Enclosure: XPFC		
Nameplate Data			460 V, 60 Hz: High Voltage Connection		
Rated Output (HP)	1	Full Load Torque	1.5 LB-FT		
Volts	230/460	Start Configuration	direct on line		
Full Load Amps	2.8/1.4	Breakdown Torque	6.5 LB-FT		
R.P.M.	3450	Pull-up Torque	4.8 LB-FT		
Hz	60 Phase	3	Locked-rotor Torque	5.7 LB-FT	
NEMA Design Code	B	KVA Code	L	Starting Current	12.1 A
Service Factor (S.F.)	1	No-load Current	0.68 A		
NEMA Nom. Eff.	84	Power Factor	82	Line-line Res. @ 25°C	15.1 Ω
Rating - Duty	40C AMB-CONT		Temp. Rise @ Rated Load	33°C	
			Locked-rotor Power Factor	56.1	
			Rotor inertia	0.0443 LB-FT ²	

Load Characteristics 460 V, 60 Hz, 1 HP

% of Rated Load	25	50	75	100	125	150
Power Factor	44	65	77	84	87	89
Efficiency	70.5	80.5	83.6	84.6	84.4	83.7
Speed	3567	3539	3510	3479	3446	3410
Line amperes	0.75	0.9	1.09	1.33	1.56	1.88

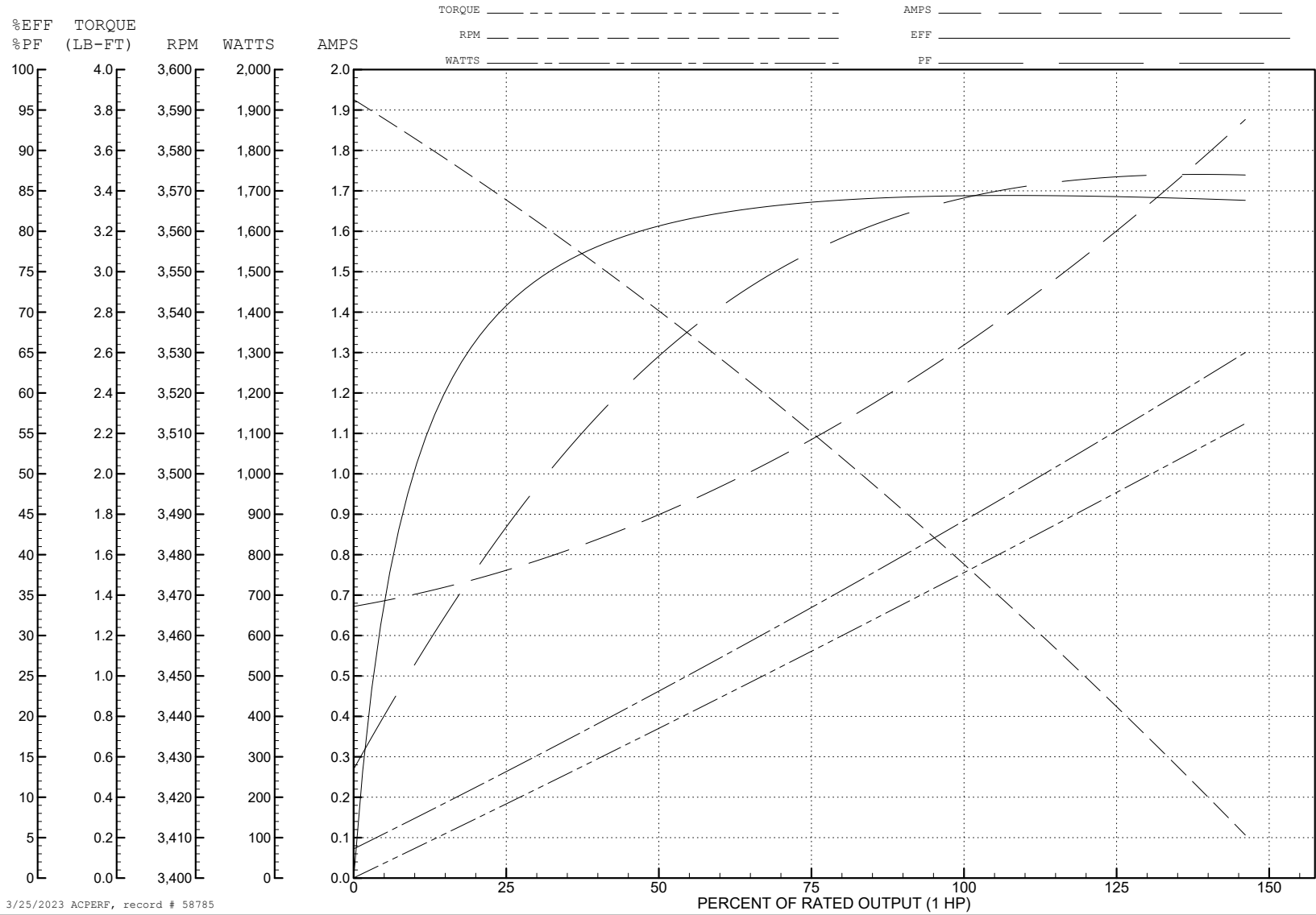
ABB Motors and Mechanical Inc.

WINDING # 35WGS921

1 HP 3 PH 60 HZ 3450 RPM 460 V 3516M

Typical performance - not guaranteed values.

TORQUES (LB-FT): PO=6.5 PU=4.8 LR=5.7 LRA=12.1



3/25/2023 ACPERF, record # 58785

AC Induction Motor Performance Data

Record # 84243

Typical performance - not guaranteed values

Winding: 35WGS921-R020		Type: 3516M	Enclosure: XPFC			
Nameplate Data			380 V, 50 Hz: High Voltage Connection			
Rated Output (HP)	1//.75		Full Load Torque	1.35 LB-FT		
Volts	230/460//190/380		Start Configuration	direct on line		
Full Load Amps	2.8/1.4//2.6/1.3		Breakdown Torque	5.97 LB-FT		
R.P.M.	3450//2885		Pull-up Torque	4.9 LB-FT		
Hz	60//50	Phase	3	Locked-rotor Torque	5.82 LB-FT	
NEMA Design Code	B		KVA Code	L	Starting Current	11.24 A
Service Factor (S.F.)	1		No-load Current	0.664 A		
NEMA Nom. Eff.	84	Power Factor	82		Line-line Res. @ 25°C	15.2 Ω
Rating - Duty	40C AMB-CONT		Temp. Rise @ Rated Load	29°C		
			Locked-rotor Power Factor	56.1		
			Rotor inertia	0.0443 lb-ft ²		

Load Characteristics 380 V, 50 Hz, 0.75 HP

% of Rated Load	25	50	75	100	125	150
Power Factor	43	63	76	82	87	87
Efficiency	70.4	80.7	83.7	83.9	84.1	83
Speed	2970	2945	2918	2890	2860	2827
Line amperes	0.717	0.846	1.01	1.23	1.44	1.73

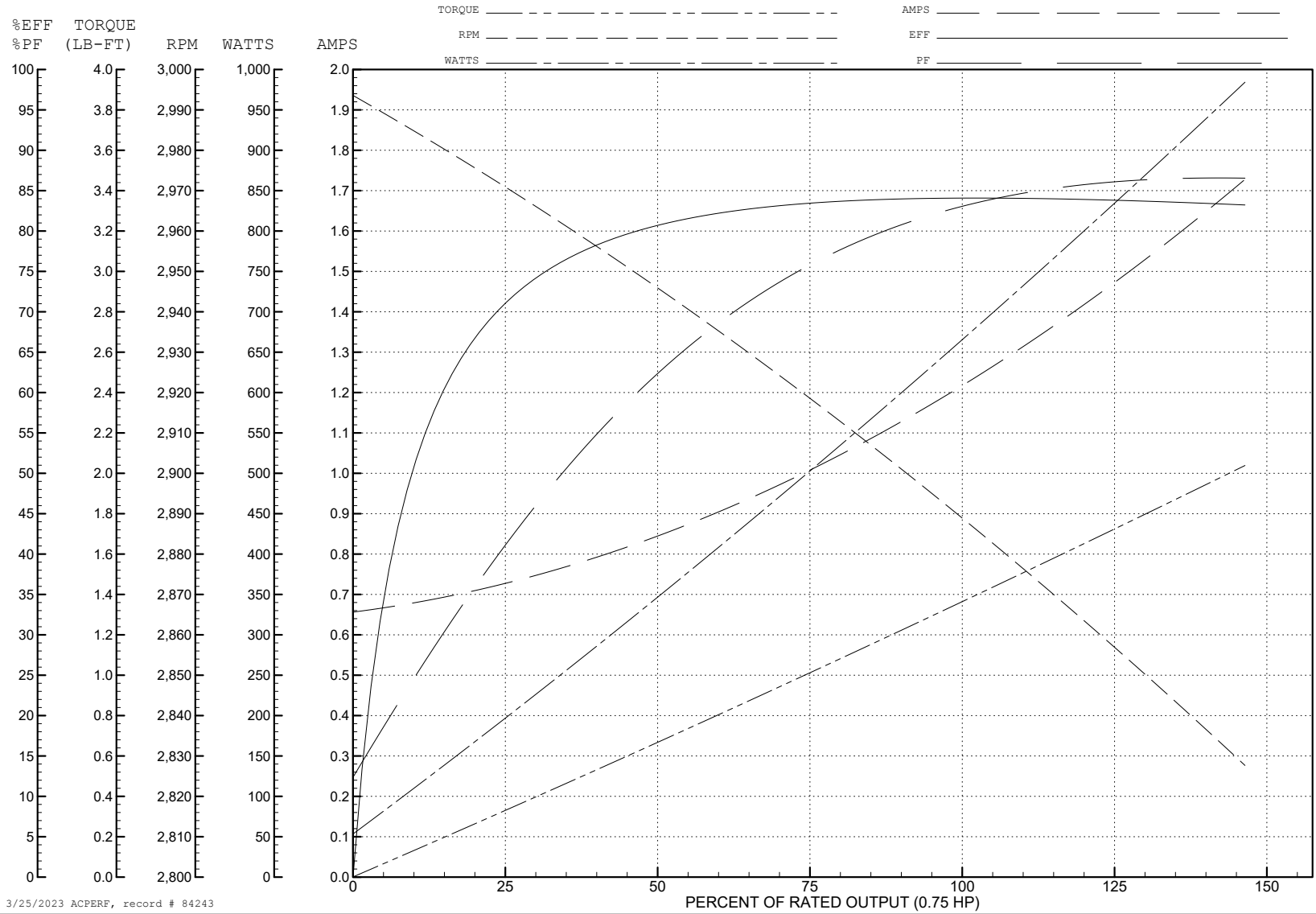
ABB Motors and Mechanical Inc.

WINDING # 35WGS921

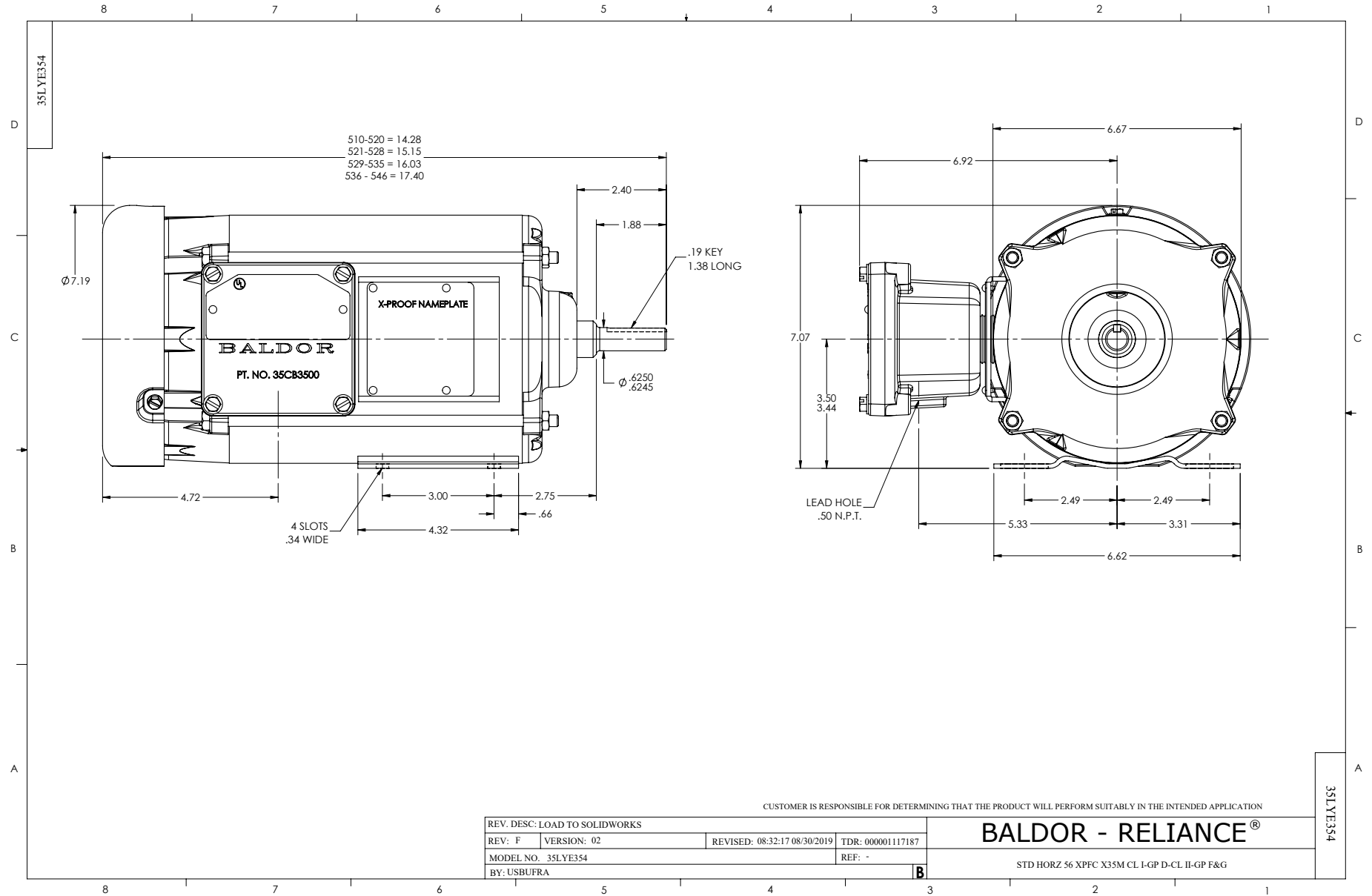
0.75 HP 3 PH 50 HZ 2890 RPM 380 V 3516M

Typical performance - not guaranteed values.

TORQUES (LB-FT): PO=5.97 PU=4.9 LR=5.82 LRA=11.24



3/25/2023 ACPERF, record # 84243



CD0005

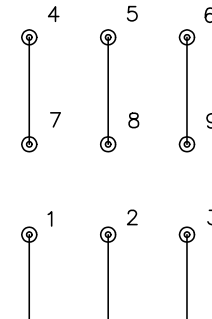


LOW VOLTAGE
(2Y)



LINE

HIGH VOLTAGE
(1Y)



LINE

NOTES:

1. INTERCHANGE ANY TWO LINE LEADS TO REVERSE ROTATION.
2. OPTIONAL THERMOSTATS ARE PROVIDED WHEN SPECIFIED.
3. ACTUAL NUMBER OF INTERNAL PARALLEL CIRCUITS MAY BE A MULTIPLE OF THOSE SHOWN ABOVE.
4. LEAD COLORS ARE OPTIONAL. LEADS MUST ALWAYS BE NUMBERED AS SHOWN.

CD0005

REV. DESC: REVISE TO SHOW OPTIONAL COLORS			
REV. LTR: E	BY: JLP	REVISED: 01/19/99 10:15	TDR: 0171435
S00000		FILE: AAA00005140	MDL: -
		MTL: -	

BALDOR ELECTRIC Co.

3PH, DV, 9 LEADS