



Customer information packet

XM05122-5

1HP, 3450RPM, 3PH, 60HZ, 56, 3516M, XPFC, F1
Class - CLI GP D; CLII GP F,G
Division - Division I

Specifications

Enclosure	XPFC
Frame	56
Frame Material	Steel
Frequency	60.00 Hz
Motor Letter Type	Three Phase
Output @ Frequency	1.000 HP @ 60 HZ
Phase	3
Synchronous Speed @ Frequency	3600 RPM @ 60 HZ
Voltage @ Frequency	575.0 V @ 60 HZ
XP Class and Group	CLI GP D; CLII GP F,G
XP Division	Division I
Agency Approvals	UL CSA EEV
Ambient Temperature	40 °C
Auxillary Box	No Auxillary Box
Auxillary Box Lead Termination	None
Base Indicator	Rigid
Bearing Grease Type	Polyrex EM (-20F +300F)
Blower	None
Constant Torque Speed Range	6
Current @ Voltage	1.100 A @ 575.0 V
Design Code	B
Drip Cover	No Drip Cover
Duty Rating	CONT
Efficiency @ 100% Load	84.0 %
Electrically Isolated Bearing	Not Electrically Isolated
Feedback Device	NO FEEDBACK
Heater Indicator	No Heater
High Voltage Full Load Amps	1.1 a
Insulation Class	F
Inverter Code	Inverter Duty
IP Rating	NONE

Part detail

Revision	-
Type	AC
Mech. spec.	
Base	
Status	PRD/A
Elec. spec.	35WGT463
Layout	35LYE354
Eff. date	04-08-2021
CD Diagram	CD0006
Poles	02
Leads	3#18
Proprietary	False
Created date	03-26-2021

KVA Code	L
Lifting Lugs	No Lifting Lugs
Locked Bearing Indicator	No Locked Bearing
Max Speed	5400 rpm
Motor Lead Termination	Flying Leads
Motor Standards	NEMA
Motor Type	3516M
Mounting Arrangement	F1
Number of Poles	2
Overall Length	14.28 IN
Power Factor	82
Product Family	General Purpose
Pulley Face Code	Standard
Rodent Screen	None
Service Factor	1.00
Shaft Diameter	0.625 IN
Shaft Ground Indicator	No Shaft Grounding
Shaft Rotation	Reversible
Speed	3450 rpm
Speed Code	Single Speed
Starting Method	Direct on line
Thermal Device - Bearing	None
Thermal Device - Winding	Normally Closed Thermostat
Vibration Sensor Indicator	No Vibration Sensor
Winding Thermal 1	None
Winding Thermal 2	None
XP Temp Code	T3C

Nameplate

NP0887XPSLEV

NO.		CC	010A		
S/N		TEMP CODE	T3C		
SPEC.	35-0000-1098	INV.TYPE	PWM		
CAT.NO.	XM05122-5	C HP FR	60	C HP TO	90
HP	1	CT HZ FROM	6	CT HZ TO	60
VOLTS	575	VT HZ FROM	6	VT HZ TO	60
AMPS	1.1	MAG CUR	.5		
RPM	3450	MX RPM	5400		
HZ	60	PH	3	CL	F
		NOM.EFF.	84		
SER.F.	1.00	DES	B	SL HZ	2
		WK2	0.05		
FRAME	56	RATING	40C AMB-CONT		
	NEMA MG-1 PART 5, IP54				
	1.15 SF ON SINE WAVE				

AC Induction Motor Performance Data

Record # 83957

Typical performance - not guaranteed values

Winding: 35WGT463-R006		Type: 3516M		Enclosure: XPFC	
Nameplate Data			575 V, 60 Hz: Single Voltage Motor		
Rated Output (HP)	1	Full Load Torque	1.5 LB-FT		
Volts	575	Start Configuration	direct on line		
Full Load Amps	1.1	Breakdown Torque	6.5 LB-FT		
R.P.M.	3450	Pull-up Torque	4.8 LB-FT		
Hz	60	Phase	3	Locked-rotor Torque	5.7 LB-FT
NEMA Design Code	B	KVA Code	L	Starting Current	9.7 A
Service Factor (S.F.)	1	No-load Current	0.54 A		
NEMA Nom. Eff.	84	Power Factor	82	Line-line Res. @ 25°C	24.1 Ω
Rating - Duty	40C AMB-CONT		Temp. Rise @ Rated Load	43°C	
			Locked-rotor Power Factor	56.4	
			Rotor inertia	0.0443 lb-ft ²	

Load Characteristics 575 V, 60 Hz, 1 HP

% of Rated Load	25	50	75	100	125	150
Power Factor	45	65	77	83	87	87
Efficiency	70.3	80.5	83.9	84.6	84.6	83.7
Speed	3567	3539	3510	3479	3446	3410
Line amperes	0.6	0.72	0.87	1.06	1.25	1.5

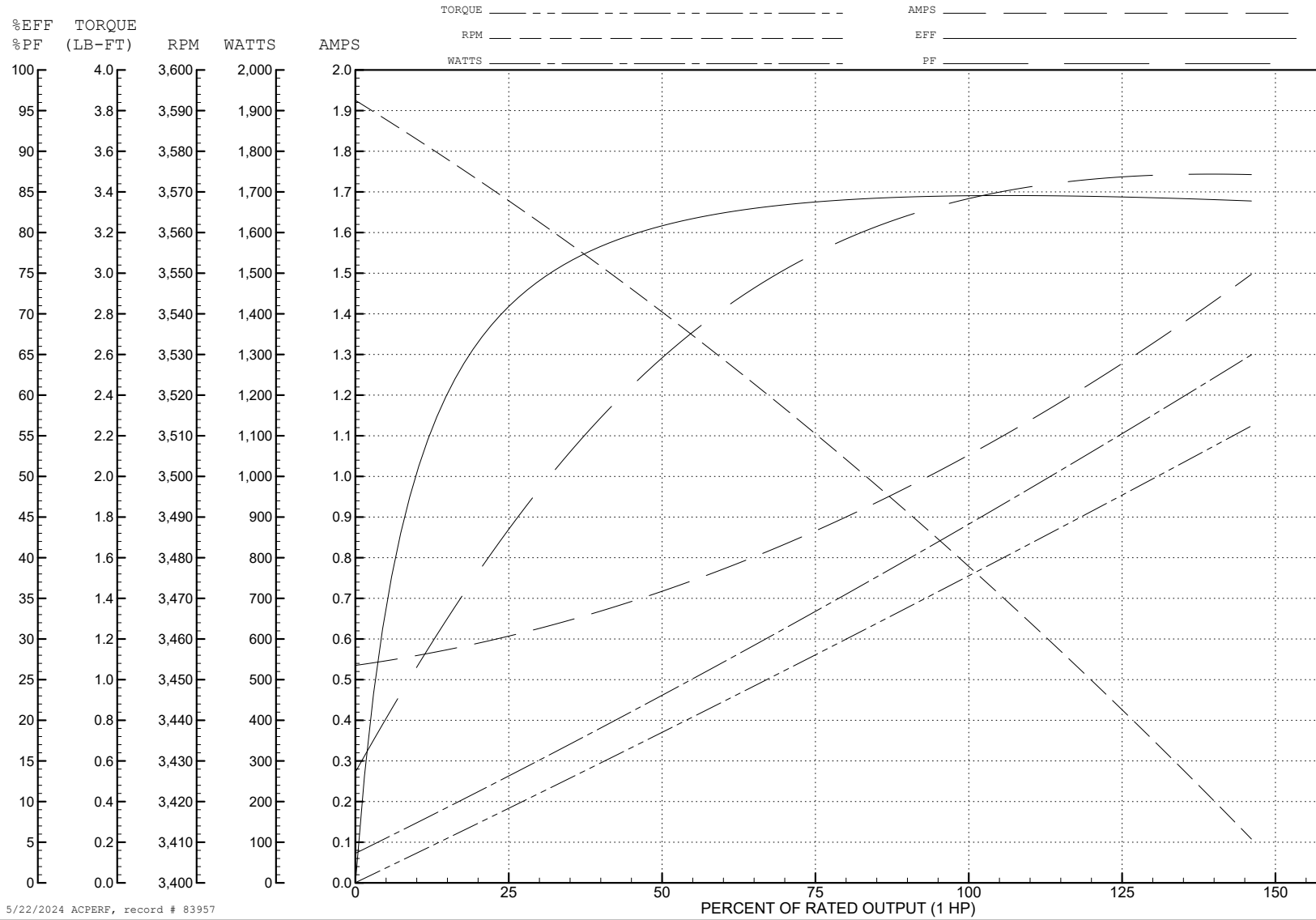
ABB Motors and Mechanical Inc.

WINDING # 35WGT463

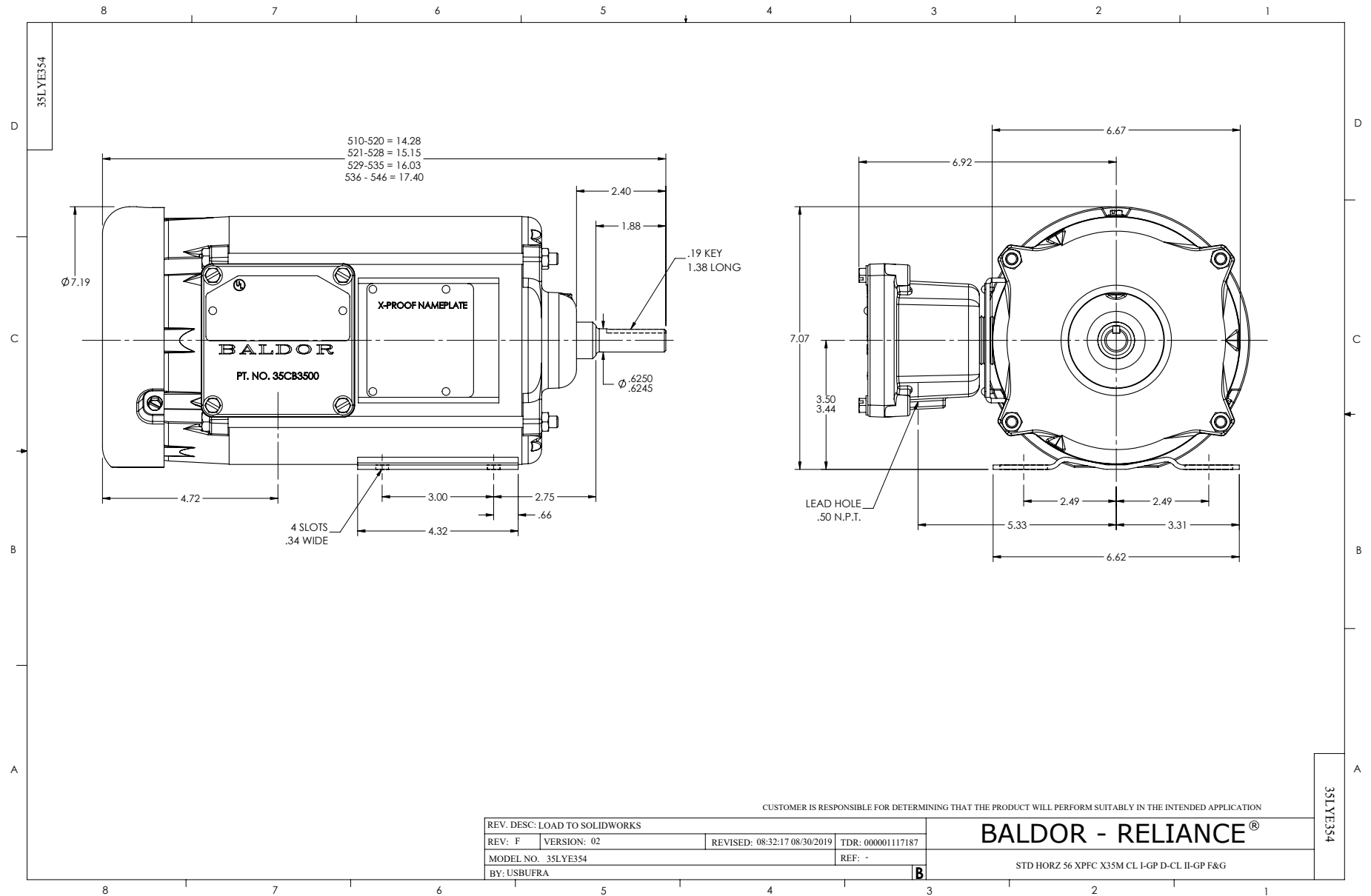
1 HP 3 PH 60 HZ 3450 RPM 575 V 3516M

Typical performance - not guaranteed values.

TORQUES (LB-FT): PO=6.5 PU=4.8 LR=5.7 LRA=9.7



5/22/2024 ACPERF, record # 83957



CD0006



NOTES:

1. THREE LEAD MOTOR MAY BE EITHER WYE CONNECTED OR DELTA CONNECTED.
2. INTERCHANGE ANY TWO LINE LEADS TO REVERSE ROTATION.
3. OPTIONAL THERMOSTATS ARE PROVIDED WHEN SPECIFIED.
4. ACTUAL NUMBER OF INTERNAL PARALLEL CIRCUITS MAY VARY.
5. LEAD COLORS ARE OPTIONAL. LEADS MUST BE NUMBERED AS SHOWN.

CD0006

REV. DESC: ADD CLASS CONN00000007		
REV. LTR: E	VERSION: 01	TDR: 000001099922
FILE: \AAA\00005\141	REVISED: 10:24:49 02/19/2019	BY: ENBRIRO
MTL: -		© □

BALDOR - RELIANCE®

3PH, SV, 3 LEADS, WYE OR DELTA CONNECTED

SH 1 of 1