

BALDOR • RELIANCE

Customer information packet

XM050742-5

.75HP, 1765RPM, 3PH, 60HZ, 56, 3514M, XPFC, F1

Class - CLI GP D; CLII GP F,G

Division - Division I

Specifications

Enclosure	XPFC
Frame	56
Frame Material	Steel
Frequency	60.00 Hz
Haz Area Class and Group	CLI GP D; CLII GP F,G
Haz Area Division	Division I
Motor Letter Type	Three Phase
Output @ Frequency	.750 HP @ 60 HZ
Phase	3
Synchronous Speed @ Frequency	1800 RPM @ 60 HZ
Voltage @ Frequency	575.0 V @ 60 HZ
Agency Approvals	CSA EEV UL
Ambient Temperature	40 °C
Auxillary Box	No Auxillary Box
Auxillary Box Lead Termination	None
Base Indicator	Rigid
Bearing Grease Type	Polyrex EM (-20F +300F)
Blower	None
Constant Torque Speed Range	6
Current @ Voltage	.960 A @ 575.0 V
Design Code	B
Drip Cover	No Drip Cover
Duty Rating	CONT
Efficiency @ 100% Load	82.5 %
Electrically Isolated Bearing	Not Electrically Isolated
Feedback Device	NO FEEDBACK
Front Shaft Indicator	None
Haz Area Temp Code	T3C
Heater Indicator	No Heater
High Voltage Full Load Amps	1.0 a
Insulation Class	F

Part detail

Revision	A
Type	AC
Mech. spec.	35E354
Base	
Status	PRD/A
Elec. spec.	35WGG123
Layout	35LYE354
Eff. date	10-05-2023
CD Diagram	CD0006
Poles	04
Leads	3#18
Proprietary	False
Created date	02-23-2023

Inverter Code	Inverter Ready
KVA Code	K
Lifting Lugs	No Lifting Lugs
Locked Bearing Indicator	No Locked Bearing
Max Speed	2700 rpm
Motor Lead Quantity/Wire Size	3 @ 18 AWG
Motor Lead Termination	Flying Leads
Motor Standards	NEMA
Motor Type	X3514M
Mounting Arrangement	F1
Number of Poles	4
Overall Length	14.28 IN
Power Factor	73
Product Family	Hazardous Location Motor
Pulley End Bearing Type	Ball
Pulley Face Code	Standard
Pulley Shaft Indicator	Standard
Rodent Screen	None
Service Factor	1.15
Shaft Diameter	0.625 IN
Shaft Ground Indicator	No Shaft Grounding
Shaft Rotation	Reversible
Speed	1765 rpm
Speed Code	Single Speed
Starting Method	Direct on line
Thermal Device - Bearing	None
Thermal Device - Winding	Normally Closed Thermostat
Vibration Sensor Indicator	No Vibration Sensor
Winding Thermal 1	None
Winding Thermal 2	None

Nameplate

NP0887XPSLEV

NO.		CC	
S/N		TEMP CODE	T3C
SPEC.	35E354G123	INV.TYPE	PWM
CAT.NO.	XM050742-5	C HP FR	60
HP	.75	C HP TO	90
VOLTS	575	CT HZ FROM	6
AMPS	.96	CT HZ TO	60
RPM	1765	VT HZ FROM	6
HZ	60	VT HZ TO	60
SER.F.	1.15	MAG CUR	.66
FRAME	56	MX RPM	2700
	DES B	NOM.EFF.	82.5
	SL HZ 1.2	WK2	0.101
	RATING 40C AMB-CONT		
	SFA 1.05		
	1.15 SF ON SINE WAVE		

AC Induction Motor Performance Data

Record # 36641

Typical performance - not guaranteed values

Winding: 35WGT499-R005		Type: 3516M	Enclosure: TEFC		
Nameplate Data			575 V, 60 Hz: Single Voltage Motor		
Rated Output (HP)	.75	Full Load Torque	2.3 LB-FT		
Volts	575	Start Configuration	direct on line		
Full Load Amps	.9	Breakdown Torque	7.95 LB-FT		
R.P.M.	1725	Pull-up Torque	5.46 LB-FT		
Hz	60 Phase	3	Locked-rotor Torque	5.95 LB-FT	
NEMA Design Code	B	KVA Code	H	Starting Current	6.3 A
Service Factor (S.F.)		1.15	No-load Current	0.6 A	
NEMA Nom. Eff.	75.5	Power Factor	78	Line-line Res. @ 25°C	44.6 Ω
Rating - Duty		40C	AMB-CONT	Temp. Rise @ Rated Load	35°C
S.F. Amps				Temp. Rise @ S.F. Load	40°C
				Locked-rotor Power Factor	71
				Rotor inertia	0.0949 LB-FT ²

Load Characteristics 575 V, 60 Hz, 0.75 HP

% of Rated Load	25	50	75	100	125	150	S.F.
Power Factor	39	57	71	79	84	87	82
Efficiency	60	72.8	77.4	78.9	79	78	79
Speed	1785	1773	1760	1746	1730	1712	1736
Line amperes	0.624	0.696	0.793	0.92	1.07	1.24	1.01

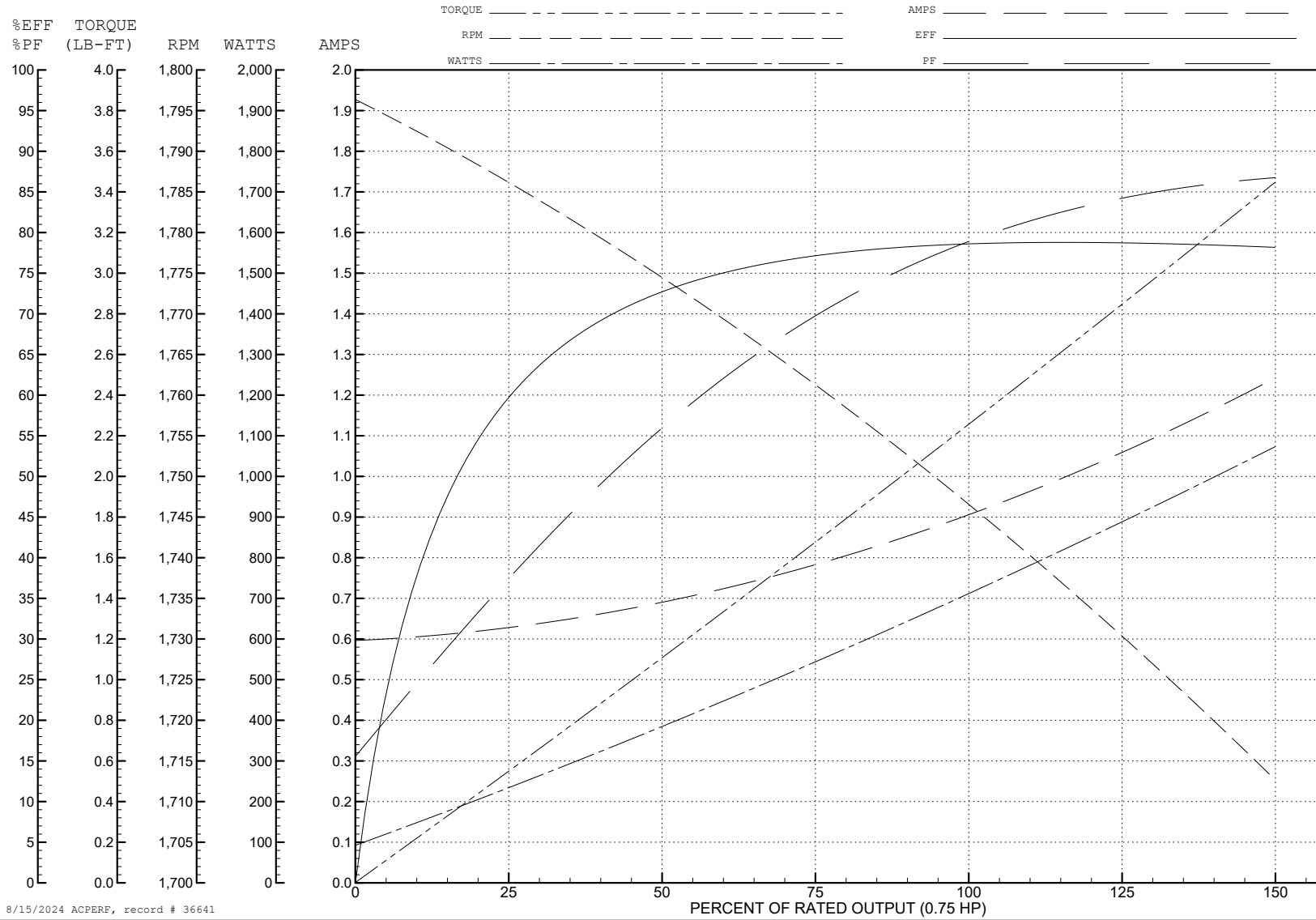
ABB Motors and Mechanical Inc.

WINDING # 35WGT499

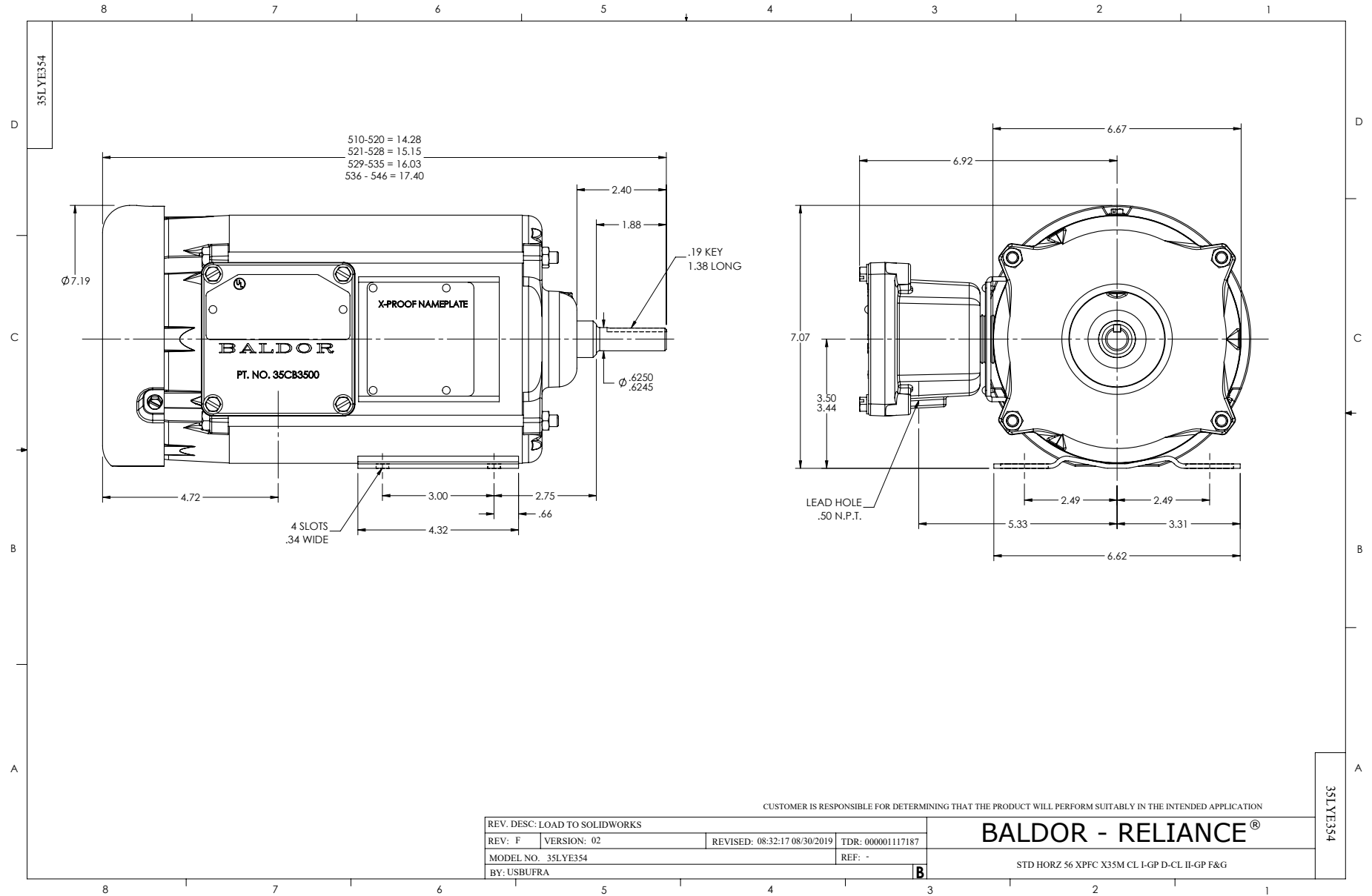
Typical performance - not guaranteed values.

0.75 HP 3 PH 60 HZ 1725 RPM 575 V 3516M

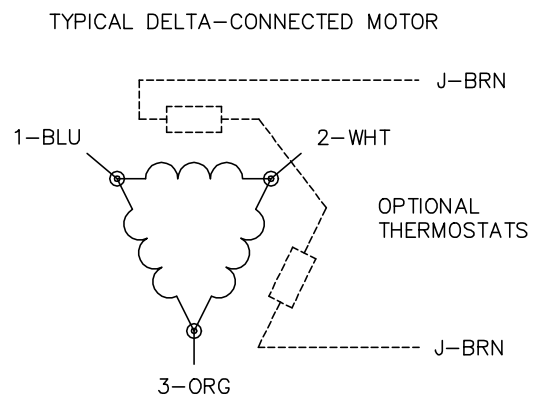
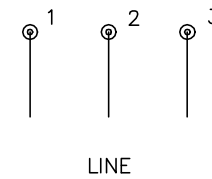
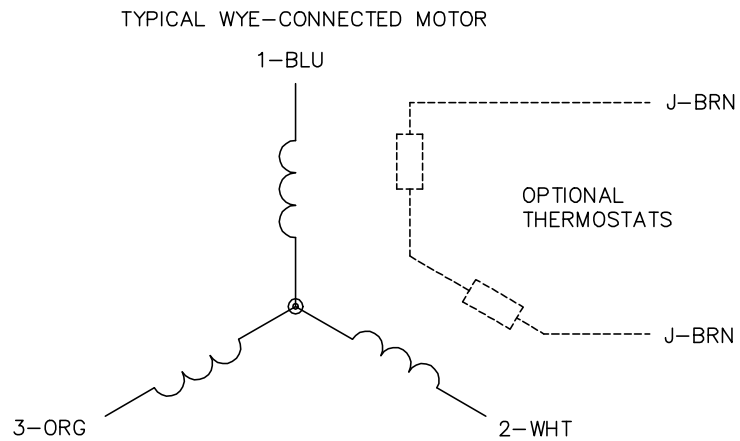
TORQUES (LB-FT): PO=7.95 PU=5.46 LR=5.95 LRA=6.3



8/15/2024 ACPERF, record # 36641



CD0006



NOTES:

1. THREE LEAD MOTOR MAY BE EITHER WYE CONNECTED OR DELTA CONNECTED.
2. INTERCHANGE ANY TWO LINE LEADS TO REVERSE ROTATION.
3. OPTIONAL THERMOSTATS ARE PROVIDED WHEN SPECIFIED.
4. ACTUAL NUMBER OF INTERNAL PARALLEL CIRCUITS MAY VARY.
5. LEAD COLORS ARE OPTIONAL. LEADS MUST BE NUMBERED AS SHOWN.

CD0006

REV. DESC: ADD CLASS CONN00000007		
REV. LTR: E	VERSION: 01	TDR: 000001099922
FILE: \AAA\00005\141	REVISED: 10:24:49 02/19/2019	BY: ENBRIRO
MTL: -	© □	

BALDOR - RELIANCE®

3PH, SV, 3 LEADS, WYE OR DELTA CONNECTED

SH 1 of 1