



Customer information packet

XM050362A

.33HP, 1140RPM, 3PH, 60HZ, 56, 3512M, XPFC, F1

Class - CLI GP D; CLII GP F,G

Division - Division I

Specifications

Enclosure	XPFC
Frame	56
Frame Material	Steel
Frequency	60.00 Hz
Haz Area Class and Group	CLI GP D; CLII GP F,G
Haz Area Division	Division I
Motor Letter Type	Three Phase
Output @ Frequency	.330 HP @ 60 HZ
Phase	3
Synchronous Speed @ Frequency	1200 RPM @ 60 HZ
Voltage @ Frequency	460.0 V @ 60 HZ 208.0 V @ 60 HZ 230.0 V @ 60 HZ
Agency Approvals	CSA UL
Ambient Temperature	40 °C
Auxillary Box	No Auxillary Box
Auxillary Box Lead Termination	None
Base Indicator	Rigid
Bearing Grease Type	Polyrex EM (-20F +300F)
Blower	None
Current @ Voltage	.800 A @ 460.0 V 1.600 A @ 230.0 V 1.700 A @ 208.0 V
Design Code	B
Drip Cover	No Drip Cover
Duty Rating	CONT
Efficiency @ 100% Load	70.0 %
Electrically Isolated Bearing	Not Electrically Isolated
Feedback Device	NO FEEDBACK
Haz Area Temp Code	T4
Heater Indicator	No Heater

Part detail

Revision	C
Type	AC
Mech. spec.	
Base	
Status	PRD/A
Elec. spec.	35WVGZ008
Layout	35LYE354
Eff. date	05-01-2024
CD Diagram	CD0007
Poles	06
Leads	12#18
Proprietary	False
Created date	03-10-2021

High Voltage Full Load Amps	0.8 a
Insulation Class	B
Inverter Code	Not Inverter
IP Rating	NONE
KVA Code	K
Lifting Lugs	No Lifting Lugs
Locked Bearing Indicator	No Locked Bearing
Motor Lead Termination	Flying Leads
Motor Standards	NEMA
Motor Type	3512M
Mounting Arrangement	F1
Number of Poles	6
Overall Length	14.28 IN
Power Factor	57
Product Family	General Purpose
Pulley Face Code	Standard
Rodent Screen	None
Service Factor	1.00
Shaft Diameter	0.625 IN
Shaft Ground Indicator	No Shaft Grounding
Shaft Rotation	Reversible
Speed	1140 rpm
Speed Code	Single Speed
Starting Method	Direct on line
Thermal Device - Bearing	None
Vibration Sensor Indicator	No Vibration Sensor
Winding Thermal 1	Automatic Thermal Overload
Winding Thermal 1 Location	SB
Winding Thermal 2	None

Nameplate

NP0016XPSL					
NO.		CC			
SER. #					
SPEC	35-0000-1066				
CAT.NO.	XM050362A				
H.P.	.33	T. CODE	T4		
VOLTS	208-230/460				
AMPS	1.7-1.6/.8				
R.P.M.	1140 35WGZ008				
HZ	60	PH	3	CLASS	B
SER.F.	1.00	DES	B	CODE	K
RATING	40C AMB-CONT				
FRAME	56	NEMA NOM. EFF	70		
	PF	57			
BLANK	NEMA MG-1 PART 5, IP54				

AC Induction Motor Performance Data

Record # 10398

Typical performance - not guaranteed values

Winding: 35WGZ008-R002		Type: 3512M		Enclosure: XPFC	
Nameplate Data			460 V, 60 Hz: High Voltage Connection		
Rated Output (HP)	.33	Full Load Torque	1.5 LB-FT		
Volts	208-230/460	Start Configuration	direct on line		
Full Load Amps	1.7-1.6/.8	Breakdown Torque	6 LB-FT		
R.P.M.	1140	Pull-up Torque	4.5 LB-FT		
Hz	60 Phase	3	Locked-rotor Torque	4.6 LB-FT	
NEMA Design Code	B KVA Code	K	Starting Current	4.1 A	
Service Factor (S.F.)		1	No-load Current	0.7 A	
NEMA Nom. Eff.	70 Power Factor	57	Line-line Res. @ 25°C	56.6 Ω	
Rating - Duty	40C AMB-CONT		Temp. Rise @ Rated Load	32°C	
			Locked-rotor Power Factor	72.4	
			Rotor inertia	0.0712 LB-FT ²	

Load Characteristics 460 V, 60 Hz, 0.33 HP

% of Rated Load	25	50	75	100	125	150
Power Factor	27	37	47	54	63	68
Efficiency	40.9	58	64.4	68.1	69.2	69
Speed	1190	1180	1171	1160	1150	1139
Line amperes	0.72	0.74	0.78	0.84	0.89	0.97

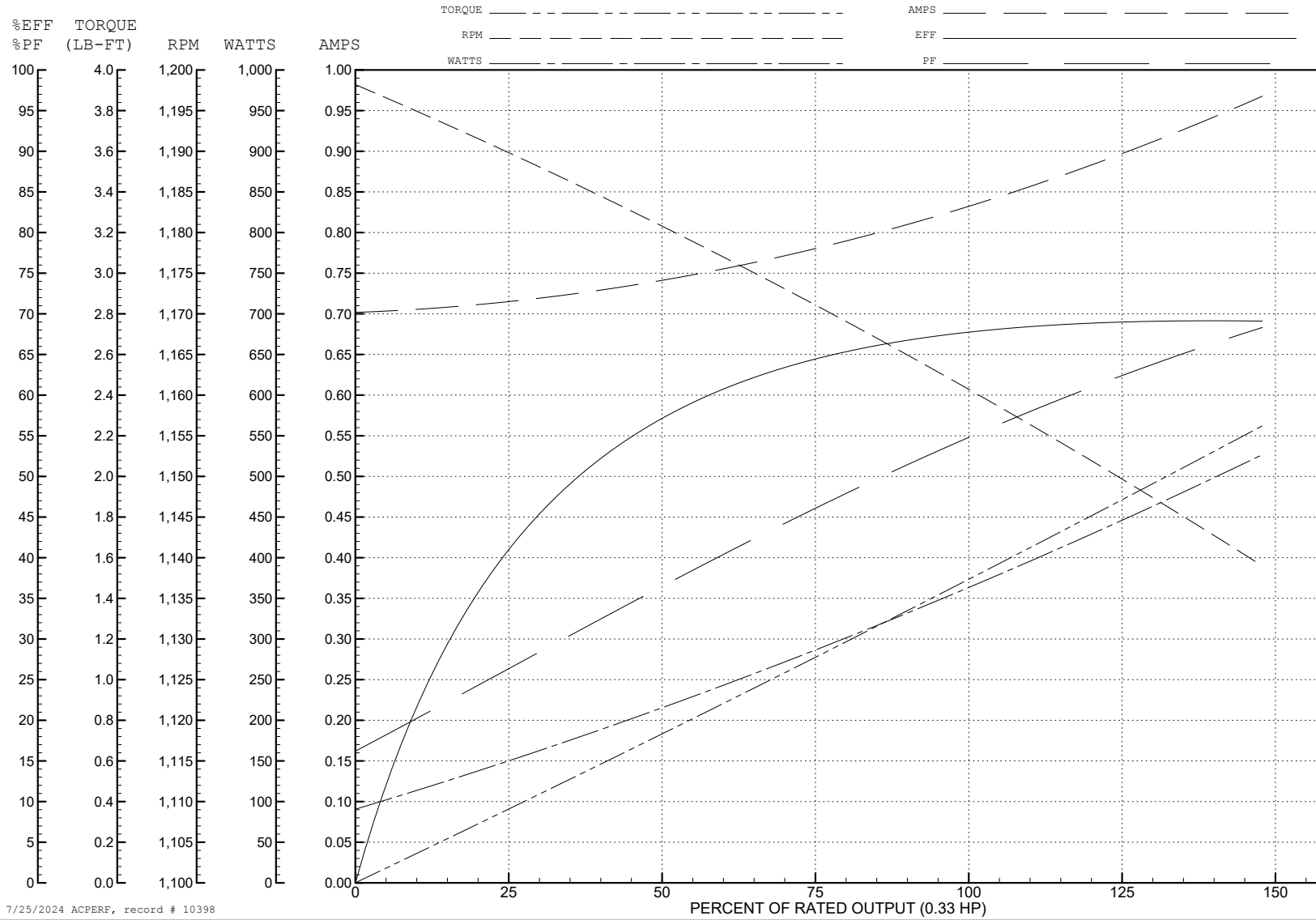
ABB Motors and Mechanical Inc.

WINDING # 35WGZ008

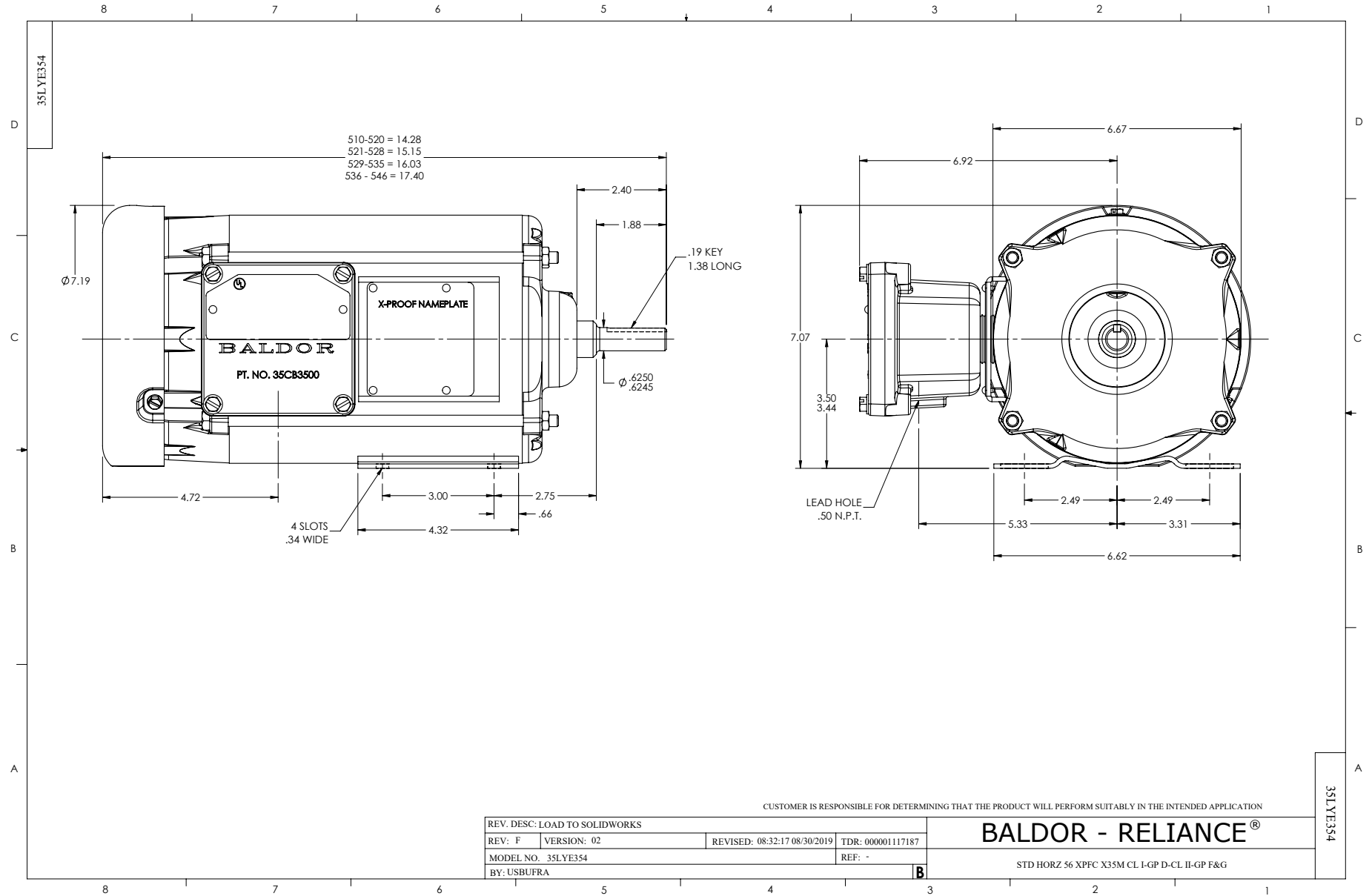
0.33 HP 3 PH 60 HZ 1140 RPM 460 V 3512M

Typical performance - not guaranteed values.

TORQUES (LB-FT) : PO=6 PU=4.5 LR=4.6 LRA=4.1



7/25/2024 ACPERF, record # 10398



CUSTOMER IS RESPONSIBLE FOR DETERMINING THAT THE PRODUCT WILL PERFORM SUITABLY IN THE INTENDED APPLICATION

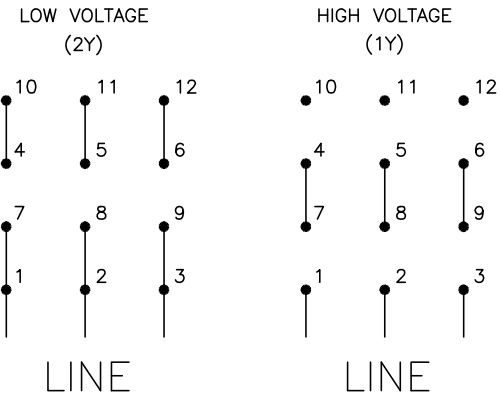
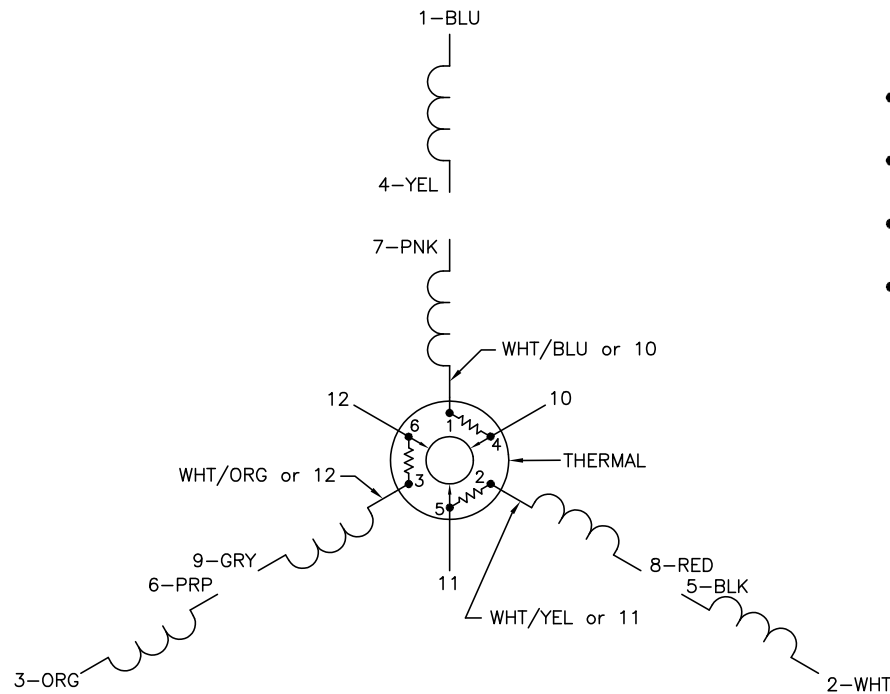
REV. DESC: LOAD TO SOLIDWORKS		REVISED: 08/32:17 08/30/2019		TDR: 000001117187
REV: F	VERSION: 02			REF: -
MODEL NO. 35LYE354				
BY: USBUFRA				

BALDOR - RELIANCE®

STD HORZ 56 XPFC X35M CL I-GP D-CL II-GP F&G

35LYE354

CD0007



NOTES:

1. INTERCHANGE ANY TWO LINE LEADS TO REVERSE ROTATION.
2. ACTUAL NUMBER OF INTERNAL PARALLEL CIRCUITS MAY VARY.
3. LEAD COLORS ARE OPTIONAL. LEADS MUST ALWAYS BE NUMBERED AS SHOWN.

CD0007

REV. DESC: ADDED "CK" PLANT CODE			
REV. LTR: E	BY: EAH	REVISED: 05/06/99 17:1	TDR: 0181040
L00000		FILE: AAA00008370	MDL: -
		MTL: -	

BALDOR ELECTRIC Co.

3PH, DV, THERMAL, 12 LEADS