



Customer information packet

XM050342A

0.333HP, 1725RPM, 3PH, 60HZ, 56, XPFC, F1

Class - CLI GP D; CLII GP F,G

Division - Division I

Specifications

Enclosure	XPFC
Frame	56
Frame Material	Steel
Frequency	60.00 Hz
Haz Area Class and Group	CLI GP D; CLII GP F,G
Haz Area Division	Division I
Motor Letter Type	Three Phase
Output @ Frequency	.330 HP @ 60 HZ
Phase	3
Synchronous Speed @ Frequency	1800 RPM @ 60 HZ
Voltage @ Frequency	460.0 V @ 60 HZ 208.0 V @ 60 HZ 230.0 V @ 60 HZ
Agency Approvals	CSA UL
Ambient Temperature	40 °C
Auxillary Box	No Auxillary Box
Auxillary Box Lead Termination	None
Base Indicator	Rigid
Bearing Grease Type	Polyrex EM (-20F +300F)
Blower	None
Current @ Voltage	.800 A @ 460.0 V 1.600 A @ 230.0 V 1.800 A @ 208.0 V
Design Code	B
Drip Cover	No Drip Cover
Duty Rating	CONT
Efficiency @ 100% Load	67.0 %
Electrically Isolated Bearing	Not Electrically Isolated
Feedback Device	NO FEEDBACK
Haz Area Temp Code	T3C
Heater Indicator	No Heater

Part detail

Revision	F
Type	AC
Mech. spec.	
Base	
Status	PRD/A
Elec. spec.	34WG5723
Layout	34LY5323
Eff. date	05-01-2024
CD Diagram	CD0007
Poles	04
Leads	12#18
Proprietary	False
Created date	08-05-2020

High Voltage Full Load Amps	0.8 a
Insulation Class	B
Inverter Code	Not Inverter
IP Rating	NONE
KVA Code	L
Lifting Lugs	No Lifting Lugs
Locked Bearing Indicator	No Locked Bearing
Motor Lead Termination	Flying Leads
Motor Standards	NEMA
Motor Type	3413M
Mounting Arrangement	F1
Number of Poles	4
Overall Length	13.22 IN
Power Factor	57
Product Family	Hazardous Location Motor
Pulley Face Code	Standard
Rodent Screen	None
Service Factor	1.00
Shaft Diameter	0.625 IN
Shaft Ground Indicator	No Shaft Grounding
Shaft Rotation	Reversible
Speed	1725 rpm
Speed Code	Single Speed
Starting Method	Direct on line
Thermal Device - Bearing	None
Thermal Device - Winding	None
Vibration Sensor Indicator	No Vibration Sensor
Winding Thermal 1	Automatic Thermal Overload
Winding Thermal 1 Location	EP
Winding Thermal 2	None

Nameplate

NP0016XPSL					
NO.		CC			
SER. #					
SPEC	34-0000-0383				
CAT.NO.	XM050342A				
H.P.	.33	T. CODE	T3C		
VOLTS	208-230/460				
AMPS	1.8-1.6/.8				
R.P.M.	1725 34WG5723				
HZ	60	PH	3	CLASS	B
SER.F.	1.00	DES	B	CODE	L
RATING	40C AMB-CONT				
FRAME	56	NEMA NOM. EFF	67		
	PF	57			
BLANK	NEMA MG-1 PART 5, IP54				

AC Induction Motor Performance Data

Record # 6820

Typical performance - not guaranteed values

Winding: 34WG5723-R001		Type: 3413M		Enclosure: XPFC	
Nameplate Data			460 V, 60 Hz: High Voltage Connection		
Rated Output (HP)	.33		Full Load Torque	1 LB-FT	
Volts	208-230/460		Start Configuration	direct on line	
Full Load Amps	1.8-1.6/.8		Breakdown Torque	4.7 LB-FT	
R.P.M.	1725		Pull-up Torque	3.35 LB-FT	
Hz	60 Phase	3	Locked-rotor Torque	3.75 LB-FT	
NEMA Design Code	B KVA Code	L	Starting Current	4.4 A	
Service Factor (S.F.)	1		No-load Current	0.7 A	
NEMA Nom. Eff.	67 Power Factor	57	Line-line Res. @ 25°C	49.1 Ω	
Rating - Duty	40C AMB-CONT		Temp. Rise @ Rated Load	47°C	

Load Characteristics 460 V, 60 Hz, 0.33 HP

% of Rated Load	25	50	75	100	125	150
Power Factor	28	40	50	57	64	69
Efficiency	44	59	65	68	68	67
Speed	1788	1770	1760	1745	1730	1710
Line amperes	0.7	0.73	0.77	0.8	0.85	1

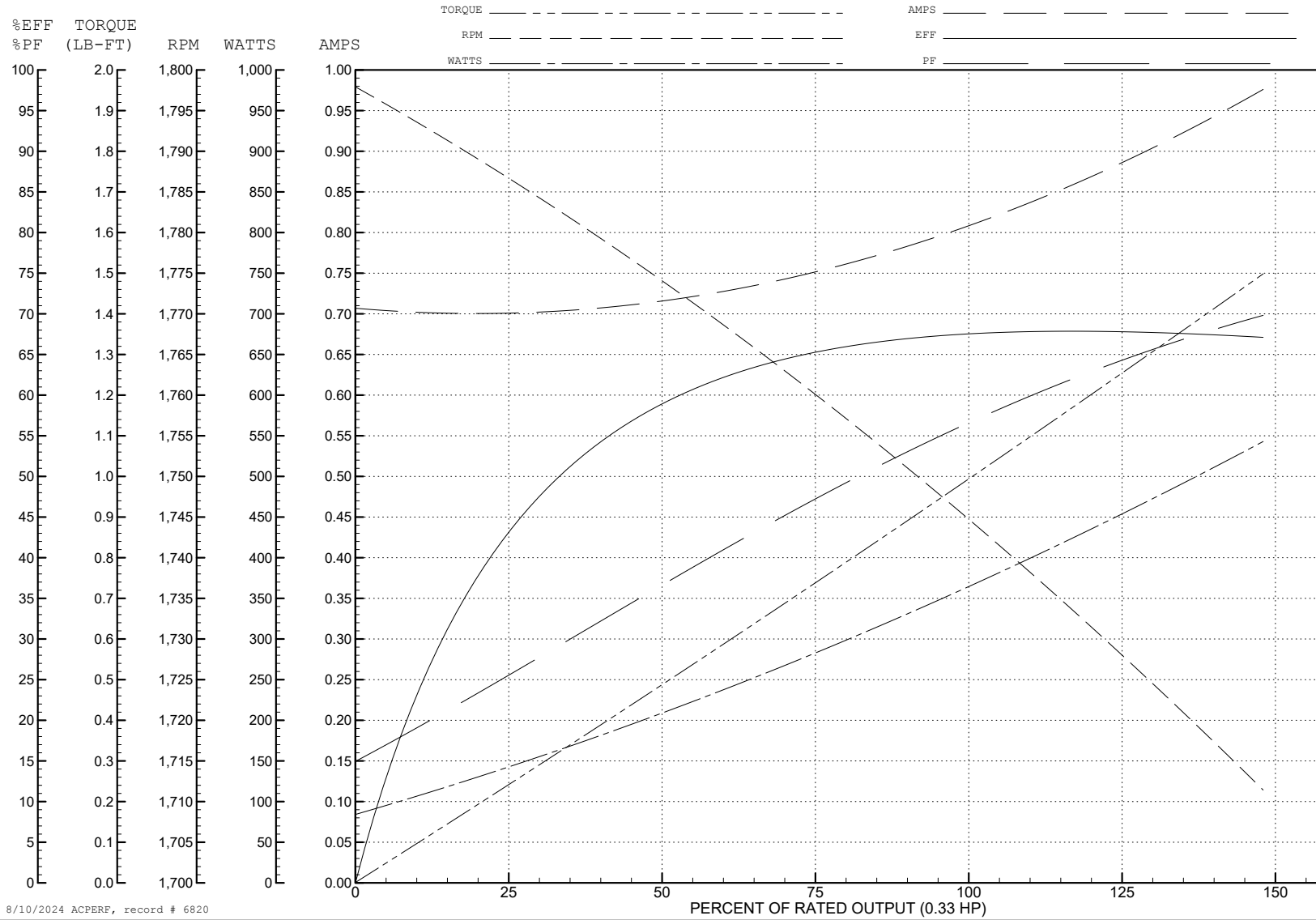
ABB Motors and Mechanical Inc.

WINDING # 34WG5723

0.33 HP 3 PH 60 HZ 1725 RPM 460 V 3413M

Typical performance - not guaranteed values.

TORQUES (LB-FT): PO=4.7 PU=3.35 LR=3.75 LRA=4.4



8/10/2024 ACPERF, record # 6820

AC Induction Motor Performance Data

Record # 65177

Typical performance - not guaranteed values

Winding: 34WG5723-R001		Type: 3413M		Enclosure: XPFC	
Nameplate Data			230 V, 60 Hz: Low Voltage Connection		
Rated Output (HP)	.33	Full Load Torque	1 LB-FT		
Volts	208-230/460	Start Configuration	direct on line		
Full Load Amps	1.8-1.6/.8	Breakdown Torque	4.7 LB-FT		
R.P.M.	1725	Pull-up Torque	3.35 LB-FT		
Hz	60	Locked-rotor Torque	3.75 LB-FT		
NEMA Design Code	B	Starting Current	8.8 A		
Service Factor (S.F.)	1	No-load Current	1.4 A		
NEMA Nom. Eff.	67	Line-line Res. @ 25°C	12.2 Ω		
Rating - Duty	40C AMB-CONT	Temp. Rise @ Rated Load	47°C		
		Locked-rotor Power Factor	69.4		
		Rotor inertia	0.031 LB-FT ²		

Load Characteristics 230 V, 60 Hz, 0.33 HP

% of Rated Load	25	50	75	100	125	150
Power Factor	26	37	47	57	67	68
Efficiency	44.1	59	65.1	67.9	67.9	66.9
Speed	1788	1770	1760	1745	1730	1710
Line amperes	1.4	1.46	1.54	1.6	1.7	2

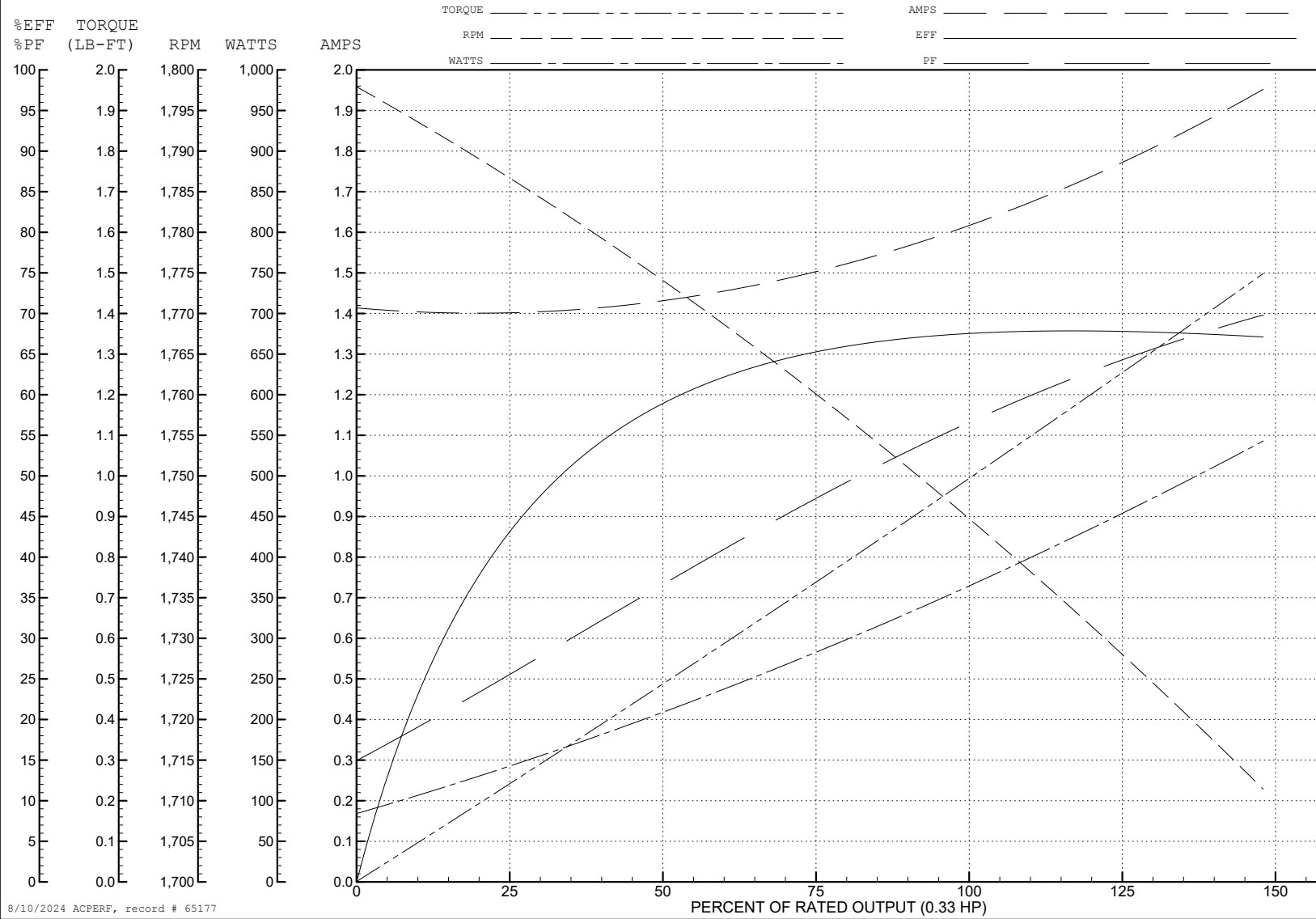
ABB Motors and Mechanical Inc.

WINDING # 34WG5723

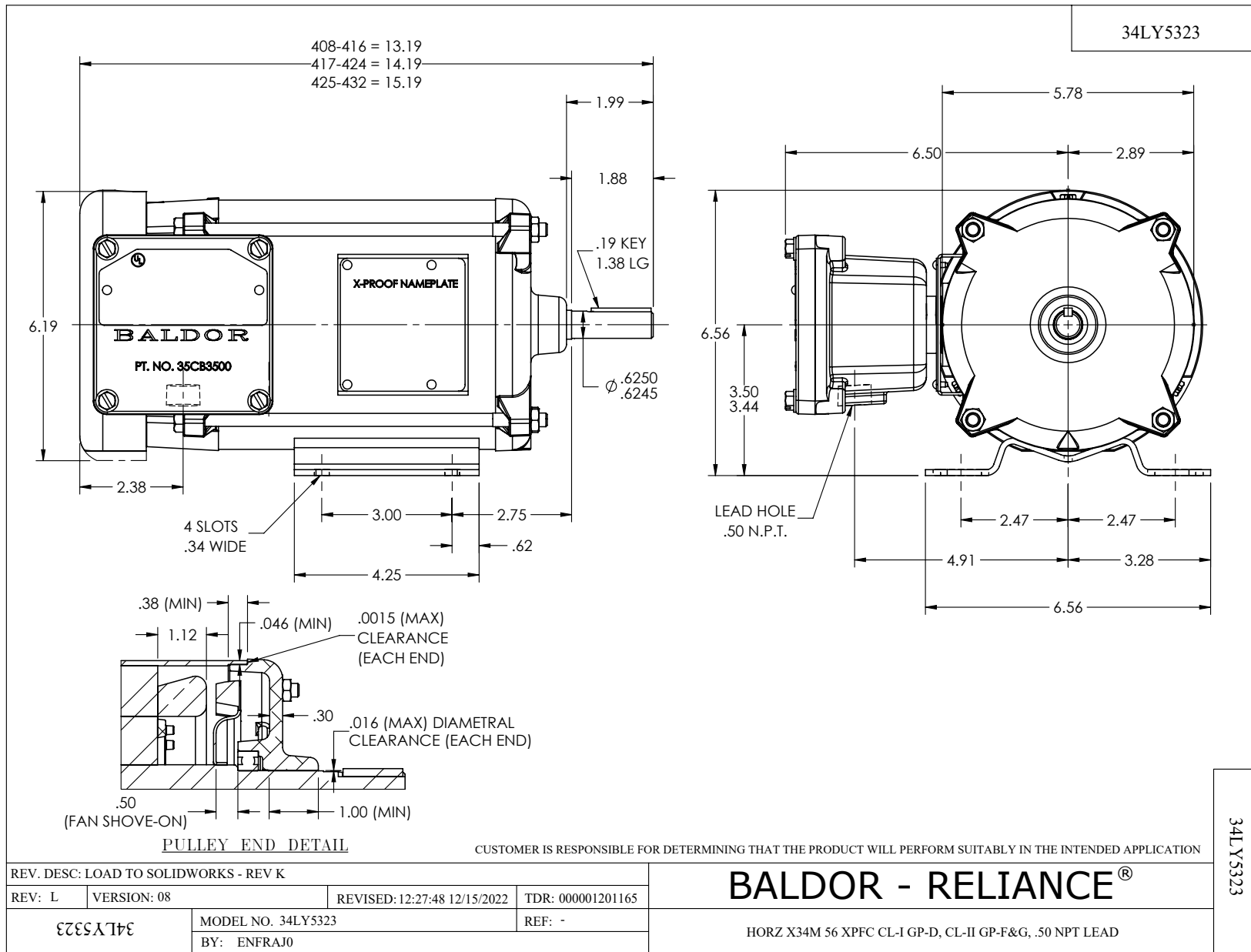
0.33 HP 3 PH 60 HZ 1725 RPM 230 V 3413M

Typical performance - not guaranteed values.

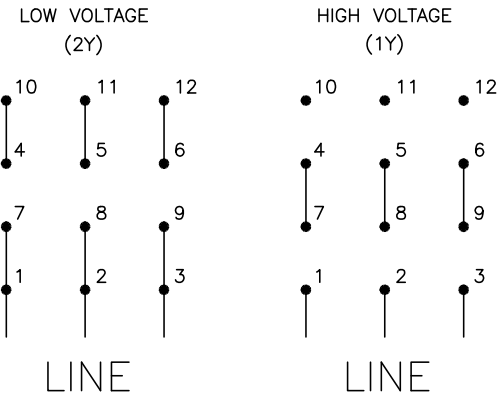
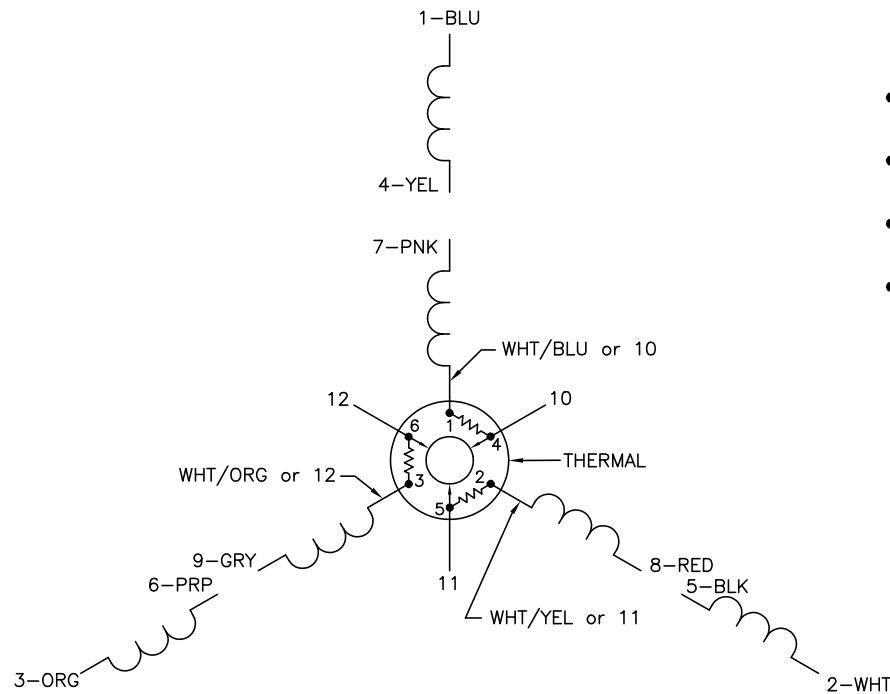
TORQUES (LB-FT): PO=4.7 PU=3.35 LR=3.75 LRA=8.8



8/10/2024 ACPERF, record # 65177



CD0007



NOTES:

1. INTERCHANGE ANY TWO LINE LEADS TO REVERSE ROTATION.
2. ACTUAL NUMBER OF INTERNAL PARALLEL CIRCUITS MAY VARY.
3. LEAD COLORS ARE OPTIONAL. LEADS MUST ALWAYS BE NUMBERED AS SHOWN.

CD0007

REV. DESC: ADDED "CK" PLANT CODE			
REV. LTR: E	BY: EAH	REVISED: 05/06/99 17:1	TDR: 0181040
L00000		FILE: AAA00008370	MDL: -
		MTL: -	

BALDOR ELECTRIC Co.

3PH, DV, THERMAL, 12 LEADS