

BALDOR • RELIANCE

Customer information packet

XL14142T

1HP, 1750RPM, 1PH, 60HZ, 143T, 3528L, XPFC, F1

Class - CLI GP D; CLII GP F,G

Division - Division I

Specifications

Enclosure	XPFC
Frame	143T
Frame Material	Steel
Frequency	60.00 Hz
Haz Area Class and Group	CLI GP D; CLII GP F,G
Haz Area Division	Division I
Motor Letter Type	Cap Start, Induction Run
Output @ Frequency	1.000 HP @ 60 HZ
Phase	1
Synchronous Speed @ Frequency	1800 RPM @ 60 HZ
Voltage @ Frequency	115.0 V @ 60 HZ 230.0 V @ 60 HZ
Agency Approvals	CSA UL
Ambient Temperature	40 °C
Auxillary Box	No Auxillary Box
Auxillary Box Lead Termination	None
Base Indicator	Rigid
Bearing Grease Type	Polyrex EM (-20F +300F)
Blower	None
Current @ Voltage	6.300 A @ 230.0 V 12.500 A @ 115.0 V
Design Code	L
Drip Cover	No Drip Cover
Duty Rating	CONT
Efficiency @ 100% Load	74.0 %
Electrically Isolated Bearing	Not Electrically Isolated
Feedback Device	NO FEEDBACK
Front Shaft Indicator	None
Heater Indicator	No Heater
High Voltage Full Load Amps	6.3 a
Insulation Class	F

Part detail

Revision	C
Type	AC
Mech. spec.	35E358
Base	
Status	PRD/A
Elec. spec.	35WGG376
Layout	35LYE361
Eff. date	09-19-2024
CD Diagram	CD0001
Poles	04
Leads	6#18 Y
Proprietary	False
Created date	02-23-2023

Inverter Code	Not Inverter
KVA Code	L
Lifting Lugs	No Lifting Lugs
Locked Bearing Indicator	No Locked Bearing
Motor Lead Quantity/Wire Size	6 @ 18 AWG
Motor Lead Termination	Flying Leads
Motor Standards	NEMA
Motor Type	X3528L
Mounting Arrangement	F1
Number of Poles	4
Overall Length	15.21 IN
Power Factor	69
Product Family	General Purpose
Pulley End Bearing Type	Ball
Pulley Face Code	Standard
Pulley Shaft Indicator	Standard
Rodent Screen	None
Service Factor	1.15
Shaft Diameter	0.875 IN
Shaft Ground Indicator	No Shaft Grounding
Shaft Rotation	Reversible
Speed	1750 rpm
Speed Code	Single Speed
Starting Method	Direct on line
Thermal Device - Bearing	None
Thermal Device - Winding	Normally Closed Thermostat
Vibration Sensor Indicator	No Vibration Sensor
Winding Thermal 1	None
Winding Thermal 2	None

Nameplate

NP1426XPSL					
NO.		CC			
SER.					
SPEC.	35E358G376				
CAT.NO.	XL14142T				
HP	1	T. CODE			
VOLTS	115/230				
AMPS	12.5/6.3				
RPM	1750				
HZ	60	PH	1	CL	F
SER.F.	1.15	DES	L	CODE	L
RATING	40C AMB-CONT				
FRAME	143T	NEMA-NOM-EFF			74
		PF	69		
BLANK	SFA 13.9/6.95				

AC Induction Motor Performance Data

Record # 88163

Typical performance - not guaranteed values

Winding: 35WGX945-R010		Type: 3524L		Enclosure: XPFC	
Nameplate Data			115 V, 60 Hz: Low Voltage Connection		
Rated Output (HP)	1	Full Load Torque	3 LB-FT		
Volts	115/230	Start Configuration	Unknown		
Full Load Amps	12.2/6.1	Breakdown Torque	7.96 LB-FT		
R.P.M.	1750	Pull-up Torque	6.57 LB-FT		
Hz	60 Phase	1	Locked-rotor Torque	10.5 LB-FT	
NEMA Design Code	L	KVA Code	L	Starting Current	73.5 A
Service Factor (S.F.)	1.15		No-load Current	8.04 A	
NEMA Nom. Eff.	68	Power Factor	74	Line-line Res. @ 25°C	0.549 Ω A Ph 1.66 Ω B Ph
Rating - Duty	40C AMB-CONT		Temp. Rise @ Rated Load	63°C	
S.F. Amps			Temp. Rise @ S.F. Load	72°C	
			Locked-rotor Power Factor	90.9	
			Rotor inertia	0.142 lb-ft ²	

Load Characteristics 115 V, 60 Hz, 1 HP

% of Rated Load	25	50	75	100	125	150	S.F.
Power Factor	37	53	65	73	79	82	77
Efficiency	53	67.4	73	75.1	75.3	74.4	75.2
Speed	1788	1778	1767	1754	1740	1724	1746
Line amperes	8.38	9.15	10.3	11.8	13.7	15.9	12.9

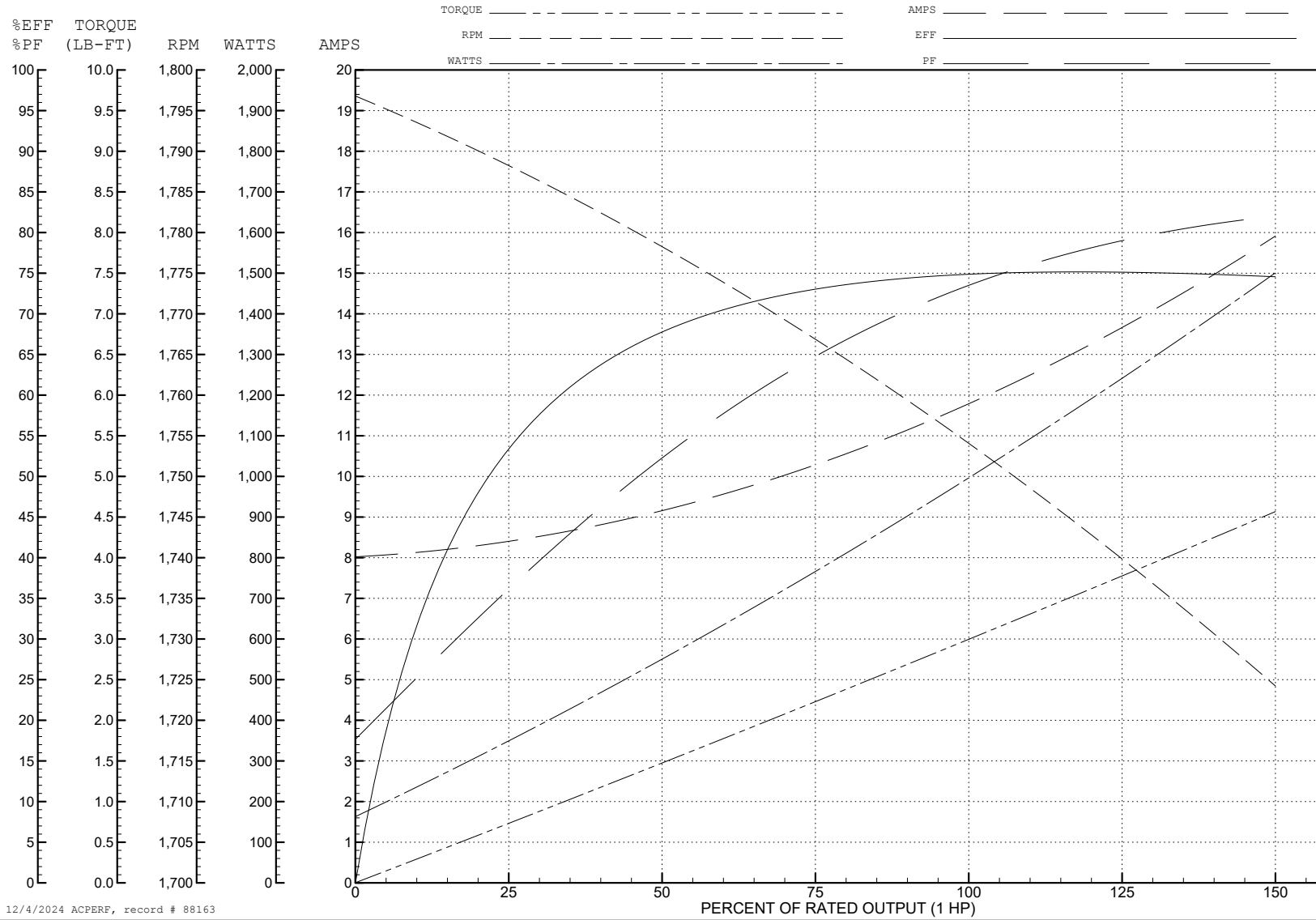
ABB Motors and Mechanical Inc.

WINDING # 35WGX945

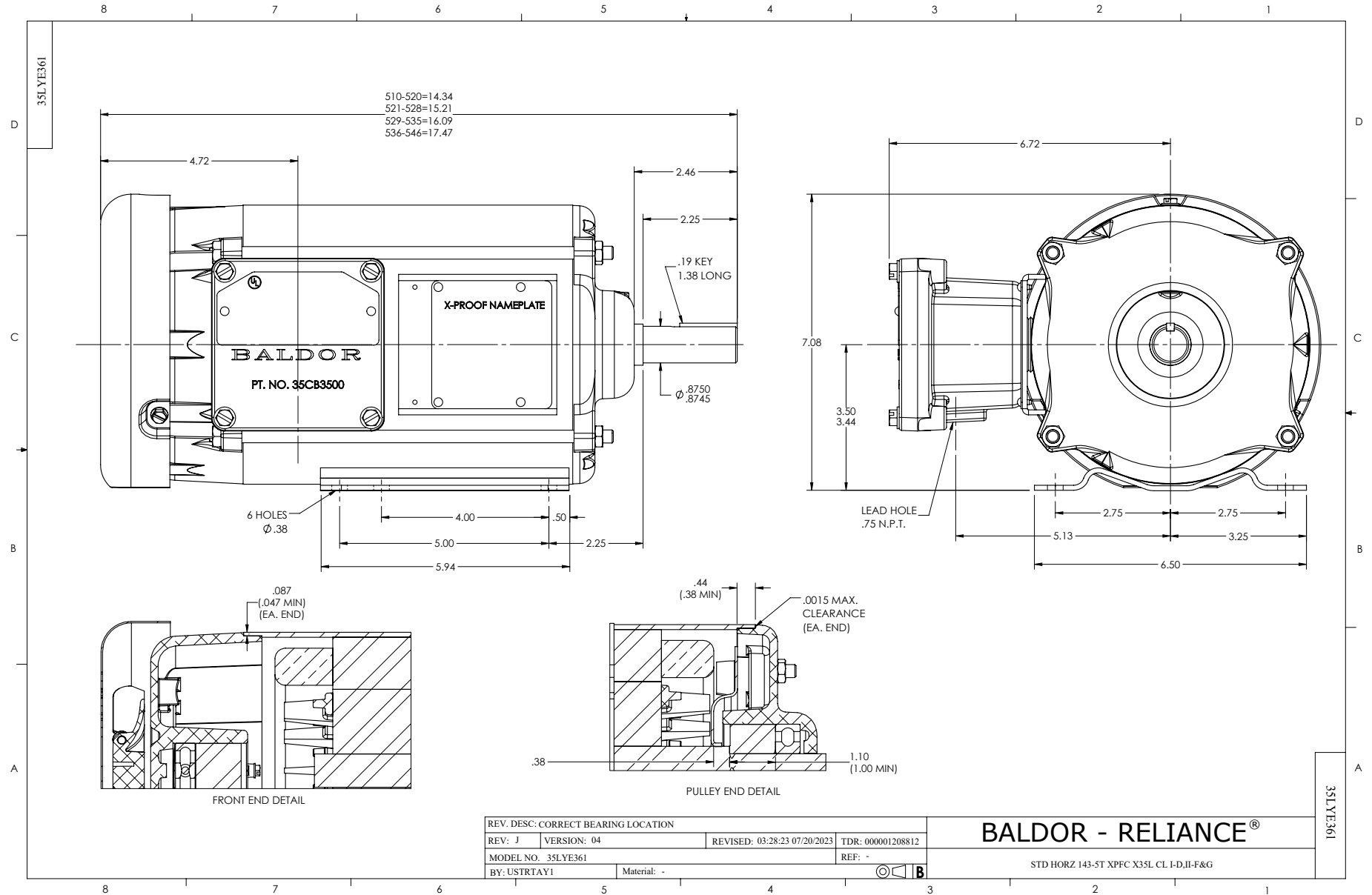
Typical performance - not guaranteed values.

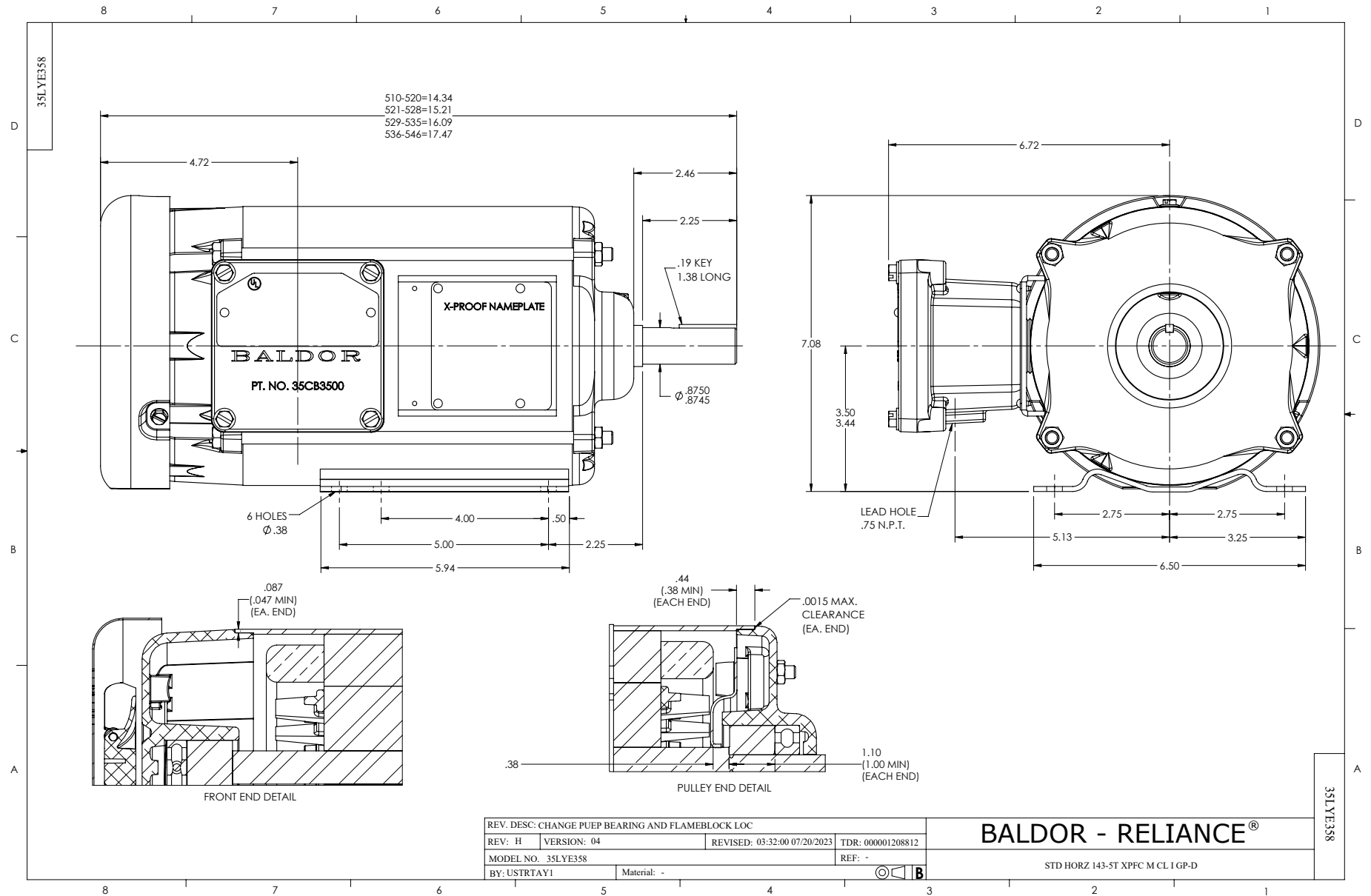
1 HP 1 PH 60 HZ 1750 RPM 115 V 3524L

TORQUES (LB-FT): PO=7.96 PU=6.57 LR=10.5 LRA=73.5

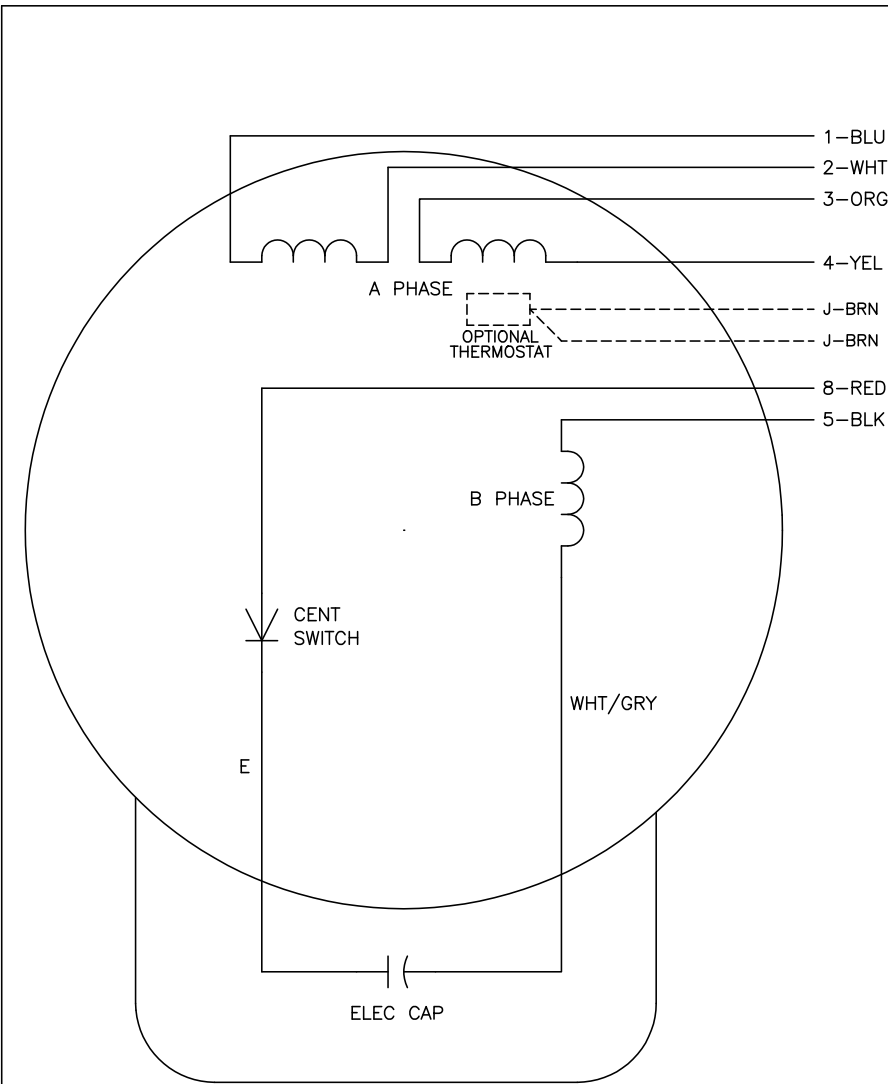


12/4/2024 ACPERF, record # 88163





CD0001



	LINE A	LINE B	JOIN
HIGH STD	1	4,5	2,3,8
HIGH OPP	1	4,8	2,3,5
LOW STD	1,3,8	2,4,5	-
LOW OPP	1,3,5	2,4,8	-

NOTES:

1. STANDARD ROTATION IS CCW FACING END OPPOSITE SHAFT EXTENSION.
2. OPTIONAL THERMOSTAT IS PROVIDED WHEN SPECIFIED.
3. MULTIPLE CAPACITORS ARE CONNECTED IN PARALLEL UNLESS OTHERWISE SPECIFIED.
4. LEAD COLORS ARE OPTIONAL. LEADS MUST ALWAYS BE NUMBERED AS SHOWN.

REV. DESC: REVISE TO SHOW OPTIONAL COLORS			
REV. LTR: D	BY: JLP	REVISED: 04/08/99 1:16	TDR: 0178636
100000		FILE: AAA00007405	MDL: -
		MTL: -	

BALDOR ELECTRIC Co.

TYPE L, DV, REV, 6 LEADS

CD0001