



Customer information packet

XL050745A

0.75HP, 1750RPM, 1PH, 60HZ, 56, 3528L, XPFC, F1

Class - CLI GP C,D; CLII GP F,G

Division - Division I

Specifications

Enclosure	XPFC
Frame	56
Frame Material	Steel
Frequency	60.00 Hz
Haz Area Class and Group	CLI GP C,D; CLII GP F,G
Haz Area Division	Division I
Motor Letter Type	Cap Start, Induction Run
Output @ Frequency	.750 HP @ 60 HZ
Phase	1
Synchronous Speed @ Frequency	1800 RPM @ 60 HZ
Voltage @ Frequency	115.0 V @ 60 HZ 230.0 V @ 60 HZ
Agency Approvals	CSA UL
Ambient Temperature	40 °C
Auxillary Box	No Auxillary Box
Auxillary Box Lead Termination	None
Base Indicator	Rigid
Bearing Grease Type	Polyrex EM (-20F +300F)
Blower	None
Current @ Voltage	10.800 A @ 115.0 V 5.400 A @ 230.0 V
Design Code	N
Drip Cover	No Drip Cover
Duty Rating	CONT
Efficiency @ 100% Load	70.0 %
Electrically Isolated Bearing	Not Electrically Isolated
Feedback Device	NO FEEDBACK
Haz Area Temp Code	T4
Heater Indicator	No Heater
High Voltage Full Load Amps	5.4 a
Insulation Class	B

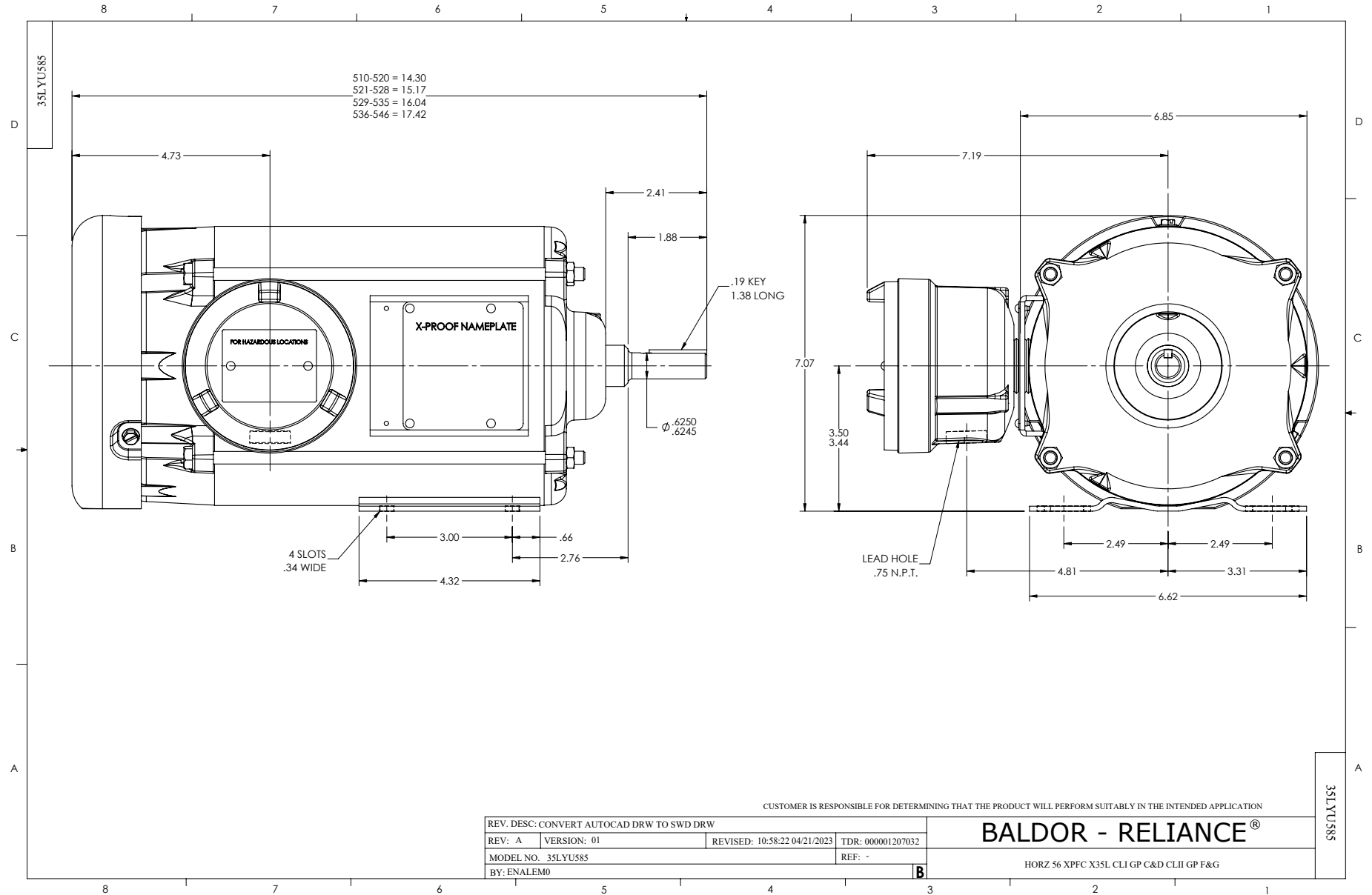
Part detail

Revision	C
Type	AC
Mech. spec.	
Base	
Status	PRD/A
Elec. spec.	35WGA040
Layout	35LYU585
Eff. date	03-01-2023
CD Diagram	CD0008
Poles	04
Leads	6#18,1#14 4TH
Proprietary	False
Created date	05-07-2021

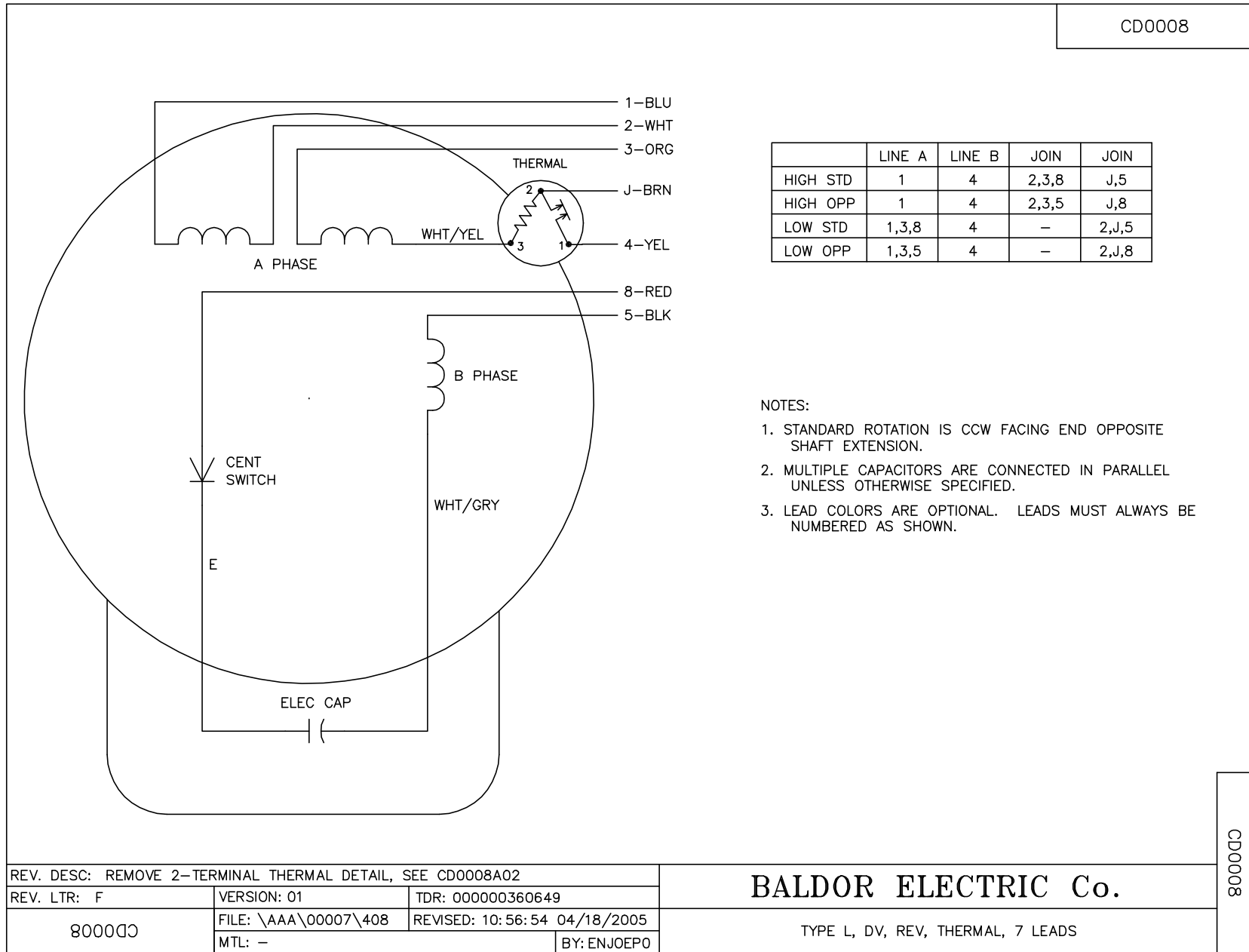
Inverter Code	Not Inverter
IP Rating	NONE
KVA Code	M
Lifting Lugs	No Lifting Lugs
Locked Bearing Indicator	No Locked Bearing
Motor Lead Termination	Flying Leads
Motor Standards	NEMA
Motor Type	3528L
Mounting Arrangement	F1
Number of Poles	4
Overall Length	15.17 IN
Power Factor	68
Product Family	General Purpose
Pulley Face Code	Standard
Rodent Screen	None
Service Factor	1.00
Shaft Diameter	0.625 IN
Shaft Ground Indicator	No Shaft Grounding
Shaft Rotation	Reversible
Speed	1750 rpm
Speed Code	Single Speed
Starting Method	Direct on line
Thermal Device - Bearing	None
Thermal Device - Winding	None
Vibration Sensor Indicator	No Vibration Sensor
Winding Thermal 1	Automatic Thermal Overload
Winding Thermal 1 Location	EP
Winding Thermal 2	None

Nameplate

NP0301XPSL										
NO.		CC								
SER.										
SPEC.	35-0000-1160									
CAT.NO.	XL050745A									
HP	.75		T. CODE	T4						
VOLTS	115/230									
AMPS	10.8/5.4									
RPM	1750 35WGA0040									
HZ	60		PH	1	CL	B				
SER.F.	1.00		DES	N	CODE	M				
RATING	40C AMB-CONT									
FRAME	56		NEMA-NOM-EFF						70	
USABLE AT 208V	N/A	PF	68							
BLANK	NEMA MG-1 PART 5, IP54									



CD0008



REV. DESC: REMOVE 2-TERMINAL THERMAL DETAIL, SEE CD0008A02		
REV. LTR: F	VERSION: 01	TDR: 000000360649
800000	FILE: \AAA\00007\408	REVISED: 10:56:54 04/18/2005
	MTL: -	BY: ENJOEPO

BALDOR ELECTRIC Co.

TYPE L, DV, REV, THERMAL, 7 LEADS

CD0008