



Customer information packet

XL050562A

.5HP, 1140RPM, 1PH, 60HZ, 56, 3528L, XPFC, F1

Class - CLI GP D; CLII GP F,G

Division - Division I

Specifications

Enclosure	XPFC
Frame	56
Frame Material	Steel
Frequency	60.00 Hz
Haz Area Class and Group	CLI GP D; CLII GP F,G
Haz Area Division	Division I
Motor Letter Type	Cap Start, Induction Run
Output @ Frequency	.500 HP @ 60 HZ
Phase	1
Synchronous Speed @ Frequency	1200 RPM @ 60 HZ
Voltage @ Frequency	115.0 V @ 60 HZ 230.0 V @ 60 HZ
Agency Approvals	CSA UL
Ambient Temperature	40 °C
Auxillary Box	No Auxillary Box
Auxillary Box Lead Termination	None
Base Indicator	Rigid
Bearing Grease Type	Polyrex EM (-20F +300F)
Blower	None
Current @ Voltage	4.000 A @ 230.0 V 8.000 A @ 115.0 V
Design Code	N
Drip Cover	No Drip Cover
Duty Rating	CONT
Efficiency @ 100% Load	59.0 %
Electrically Isolated Bearing	Not Electrically Isolated
Feedback Device	NO FEEDBACK
Haz Area Temp Code	T3C
Heater Indicator	No Heater
High Voltage Full Load Amps	4.0 a
Insulation Class	B

Part detail

Revision	D
Type	AC
Mech. spec.	
Base	
Status	PRD/A
Elec. spec.	35WG0528
Layout	35LYE353
Eff. date	05-01-2024
CD Diagram	CD0008
Poles	06
Leads	6#18,1#16 #4TH
Proprietary	False
Created date	05-03-2021

Inverter Code	Not Inverter
IP Rating	NONE
KVA Code	L
Lifting Lugs	No Lifting Lugs
Locked Bearing Indicator	No Locked Bearing
Motor Lead Termination	Flying Leads
Motor Standards	NEMA
Motor Type	3528L
Mounting Arrangement	F1
Number of Poles	6
Overall Length	15.15 IN
Power Factor	63
Product Family	General Purpose
Pulley Face Code	Standard
Rodent Screen	None
Service Factor	1.00
Shaft Diameter	0.625 IN
Shaft Ground Indicator	No Shaft Grounding
Shaft Rotation	Reversible
Speed	1140 rpm
Speed Code	Single Speed
Starting Method	Direct on line
Thermal Device - Bearing	None
Thermal Device - Winding	None
Vibration Sensor Indicator	No Vibration Sensor
Winding Thermal 1	Automatic Thermal Overload
Winding Thermal 1 Location	SB
Winding Thermal 2	None

Nameplate

NP0016XPSL				
NO.		CC		
SER. #				
SPEC	35-0000-1157			
CAT.NO.	XL050562A			
H.P.	.5	T. CODE	T3C	
VOLTS	115/230			
AMPS	8/4			
R.P.M.	1140 35WG0528			
HZ	60	PH	1	CLASS B
SER.F.	1.00	DES	N	CODE L
RATING	40C AMB-CONT			
FRAME	56	NEMA NOM. EFF	59	
	PF	63		
BLANK	NEMA MG-1 PART 5, IP54			

AC Induction Motor Performance Data

Record # 20315

Typical performance - not guaranteed values

Winding: 35WG0528-R003		Type: 3528L		Enclosure: XPFC	
Nameplate Data			230 V, 60 Hz: High Voltage Connection		
Rated Output (HP)	.5		Full Load Torque	2.25 LB-FT	
Volts	115/230		Start Configuration	direct on line	
Full Load Amps	8/4		Breakdown Torque	5 LB-FT	
R.P.M.	1140		Pull-up Torque	4.75 LB-FT	
Hz	60	Phase	1	Locked-rotor Torque	6.5 LB-FT
NEMA Design Code	N	KVA Code	L	Starting Current	19 A
Service Factor (S.F.)	1		No-load Current	3.5 A	
NEMA Nom. Eff.	59	Power Factor	63	Line-line Res. @ 25°C	4.83 Ω A Ph 3.14 Ω B Ph
Rating - Duty	40C AMB-CONT		Temp. Rise @ Rated Load	48°C	

Load Characteristics 230 V, 60 Hz, 0.5 HP

% of Rated Load	25	50	75	100	125	150	S.F.
Power Factor	28	41	49	59	65	69	65
Efficiency	39.7	57	62.3	64.7	64.9	63.4	64.9
Speed	1189	1178	1170	1156	1144	1130	1144
Line amperes	3.5	3.7	3.9	4.3	4.8	5.3	4.8

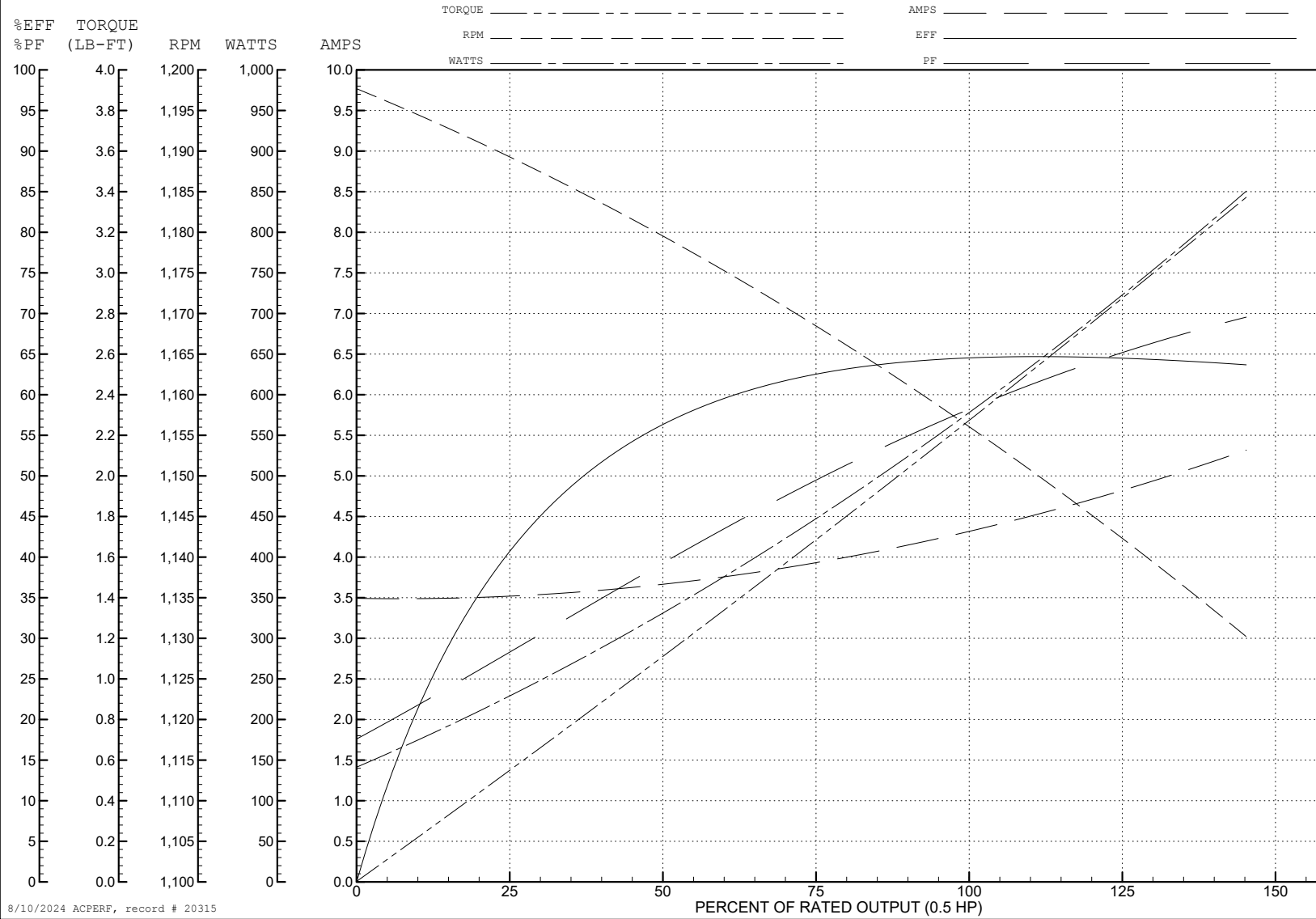
ABB Motors and Mechanical Inc.

WINDING # 35WG0528

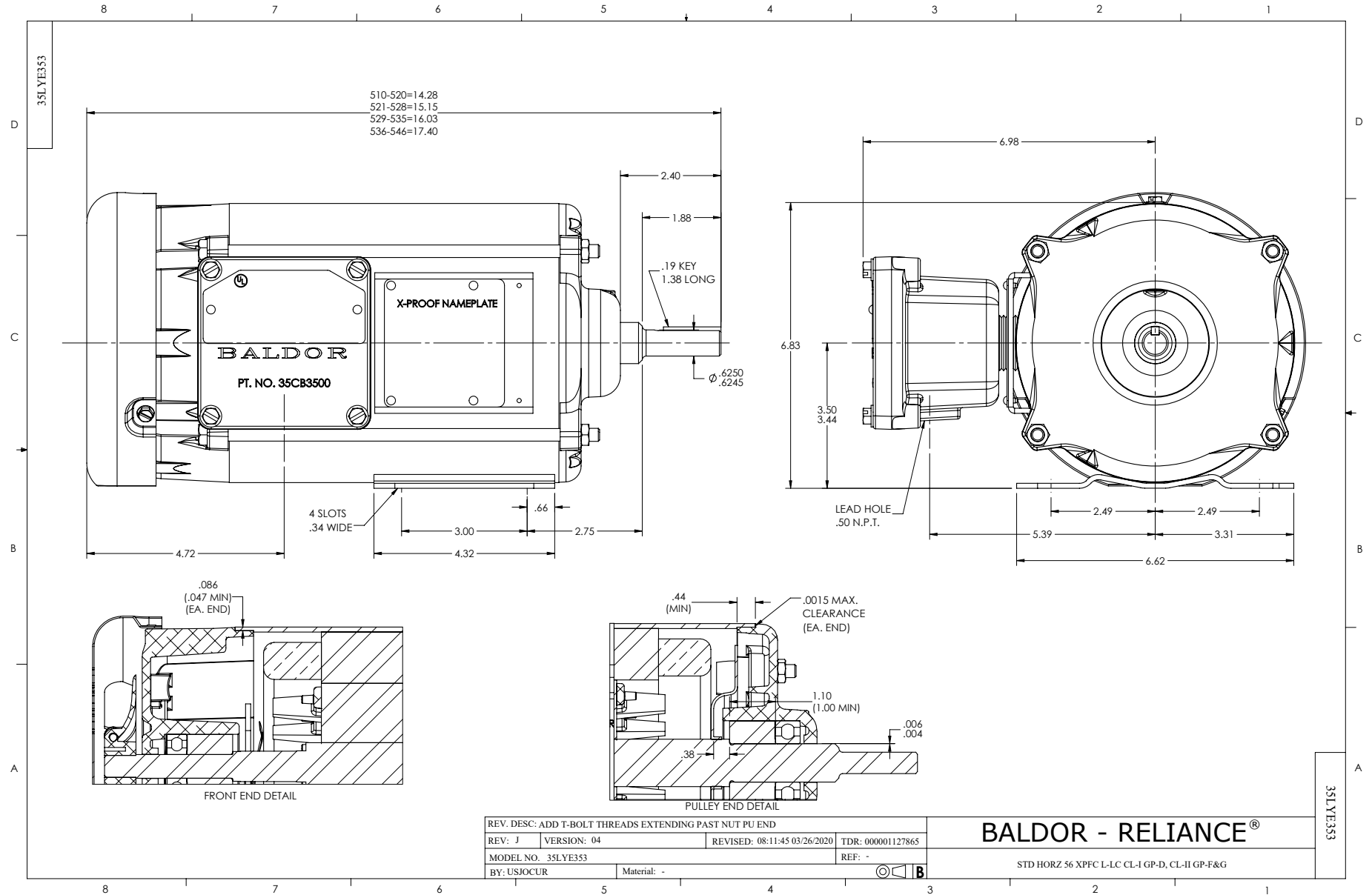
0.5 HP 1 PH 60 HZ 1140 RPM 230 V 3528L

Typical performance - not guaranteed values.

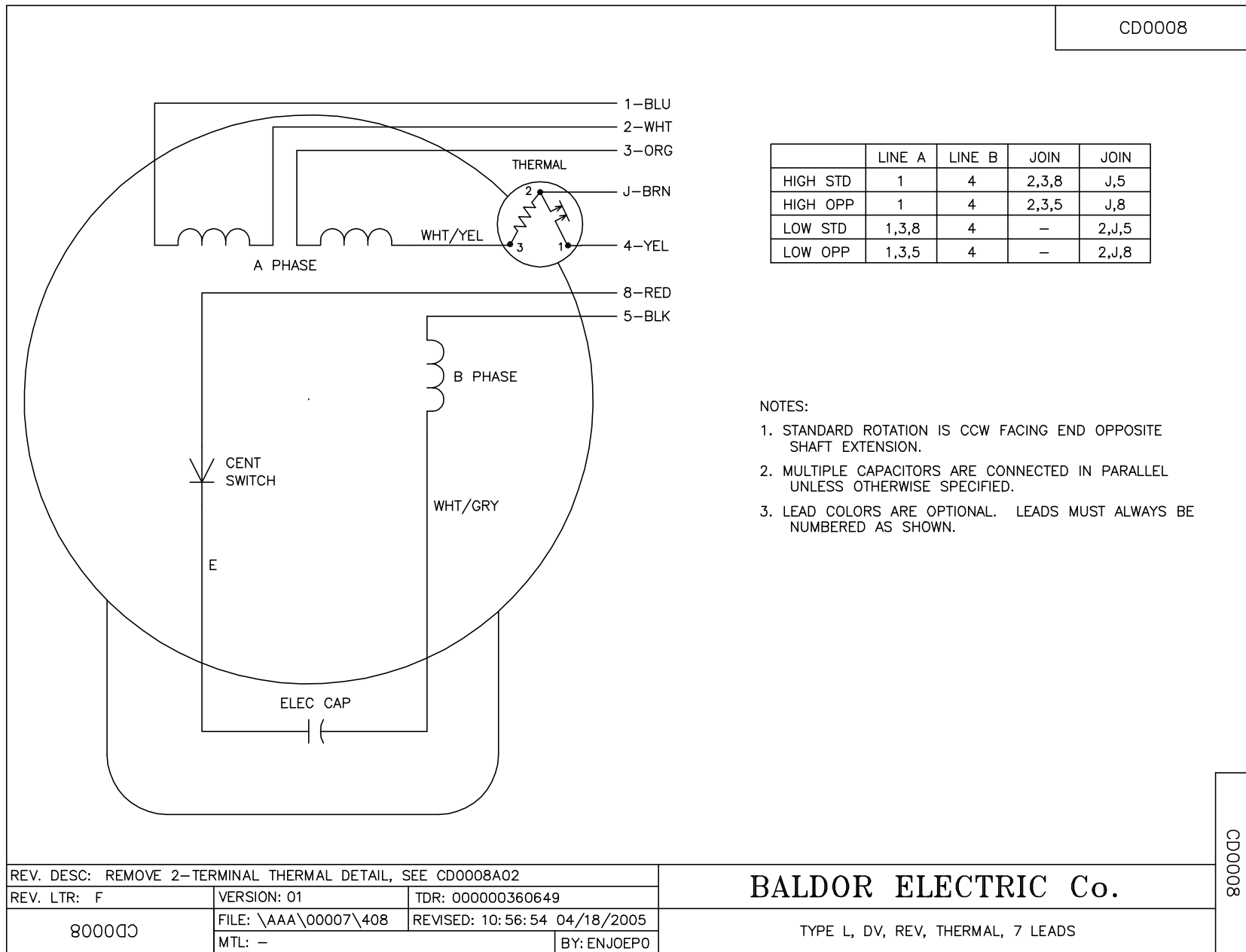
TORQUES (LB-FT): PO=5 PU=4.75 LR=6.5 LRA=19



8/10/2024 ACPERF, record # 20315



CD0008



	LINE A	LINE B	JOIN	JOIN
HIGH STD	1	4	2,3,8	J,5
HIGH OPP	1	4	2,3,5	J,8
LOW STD	1,3,8	4	-	2,J,5
LOW OPP	1,3,5	4	-	2,J,8

NOTES:

1. STANDARD ROTATION IS CCW FACING END OPPOSITE SHAFT EXTENSION.
2. MULTIPLE CAPACITORS ARE CONNECTED IN PARALLEL UNLESS OTHERWISE SPECIFIED.
3. LEAD COLORS ARE OPTIONAL. LEADS MUST ALWAYS BE NUMBERED AS SHOWN.

REV. DESC: REMOVE 2-TERMINAL THERMAL DETAIL, SEE CD0008A02		
REV. LTR: F	VERSION: 01	TDR: 000000360649
800000	FILE: \AAA\00007\408	REVISED: 10:56:54 04/18/2005
	MTL: -	BY: ENJOEPO

BALDOR ELECTRIC Co.

TYPE L, DV, REV, THERMAL, 7 LEADS

CD0008