

ABB BALDOR RELIANCE III

Customer information packet

XL050242A

.25HP, 1725RPM, 1PH, 60HZ, 56, 3414L, XPFC, F1

Class - CLI GP D; CLII GP F,G

Division - Division I

Specifications

Enclosure	XPFC
Frame	56
Frame Material	Steel
Frequency	60.00 Hz
Haz Area Class and Group	CLI GP D; CLII GP F,G
Haz Area Division	Division I
Motor Letter Type	Cap Start, Induction Run
Output @ Frequency	.250 HP @ 60 HZ
Phase	1
Synchronous Speed @ Frequency	1800 RPM @ 60 HZ
Voltage @ Frequency	230.0 V @ 60 HZ 115.0 V @ 60 HZ 208.0 V @ 60 HZ
Agency Approvals	CSA UL
Ambient Temperature	40 °C
Auxiliary Box	NO AUXILLARY BOX
Auxiliary Box Lead Termination	None
Base Indicator	Rigid
Bearing Grease Type	Polyrex EM (-20F +300F)
Blower	None
Current @ Voltage	2.000 A @ 208.0 V 2.100 A @ 230.0 V 4.200 A @ 115.0 V
Design Code	N
Drip Cover	No Drip Cover
Duty Rating	CONT
Efficiency @ 100% Load	62.0 %
Electrically Isolated Bearing	Not Electrically Isolated
Feedback Device	NO FEEDBACK
Haz Area Temp Code	T3C
Heater Indicator	No Heater

Part Detail

Revision	E
Type	AC
Mech. spec.	
Base	
Status	PRD/A
Elec. spec.	34WGY855
Layout	34LY5492
Eff. date	09-12-2024
CD Diagram	CD0565
Poles	04
Leads	7#18
Proprietary	False
Created date	04-21-2021

High Voltage Full Load Amps	2.0 a
Insulation Class	B
Inverter Code	Not Inverter
IP Rating	NONE
KVA Code	L
Lifting Lugs	No Lifting Lugs
Locked Bearing Indicator	No Locked Bearing
Motor Lead Termination	Flying Leads
Motor Standards	NEMA
Motor Type	3414L
Mounting Arrangement	F1
Number of Poles	4
Overall Length	13.22 IN
Power Factor	64
Product Family	Hazardous Location Motor
Pulley Face Code	Standard
Rodent Screen	None
Service Factor	1.00
Shaft Diameter	0.625 IN
Shaft Ground Indicator	No Shaft Grounding
Shaft Rotation	Reversible
Speed	1725 rpm
Speed Code	Single Speed
Starting Method	Direct on line
Thermal Device - Bearing	None
Thermal Device - Winding	None
Vibration Sensor Indicator	No Vibration Sensor
Winding Thermal 1	Automatic Thermal Overload
Winding Thermal 1 Location	EP
Winding Thermal 2	None

Nameplate

NP0016XPSL				
NO.		CC		
SER. #				
SPEC	34-0000-0416			
CAT.NO.	XL050242A			
H.P.	.25	T. CODE	T3C	
VOLTS	115/208-230			
AMPS	4.2/2-2.1			
R.P.M.	1725 34WGY855			
HZ	60	PH	1	CLASS B
SER.F.	1.00	DES	N	CODE L
RATING	40C AMB-CONT			
FRAME	56	NEMA NOM. EFF		62
	PF	64		
BLANK	NEMA MG-1 PART 5, IP54			

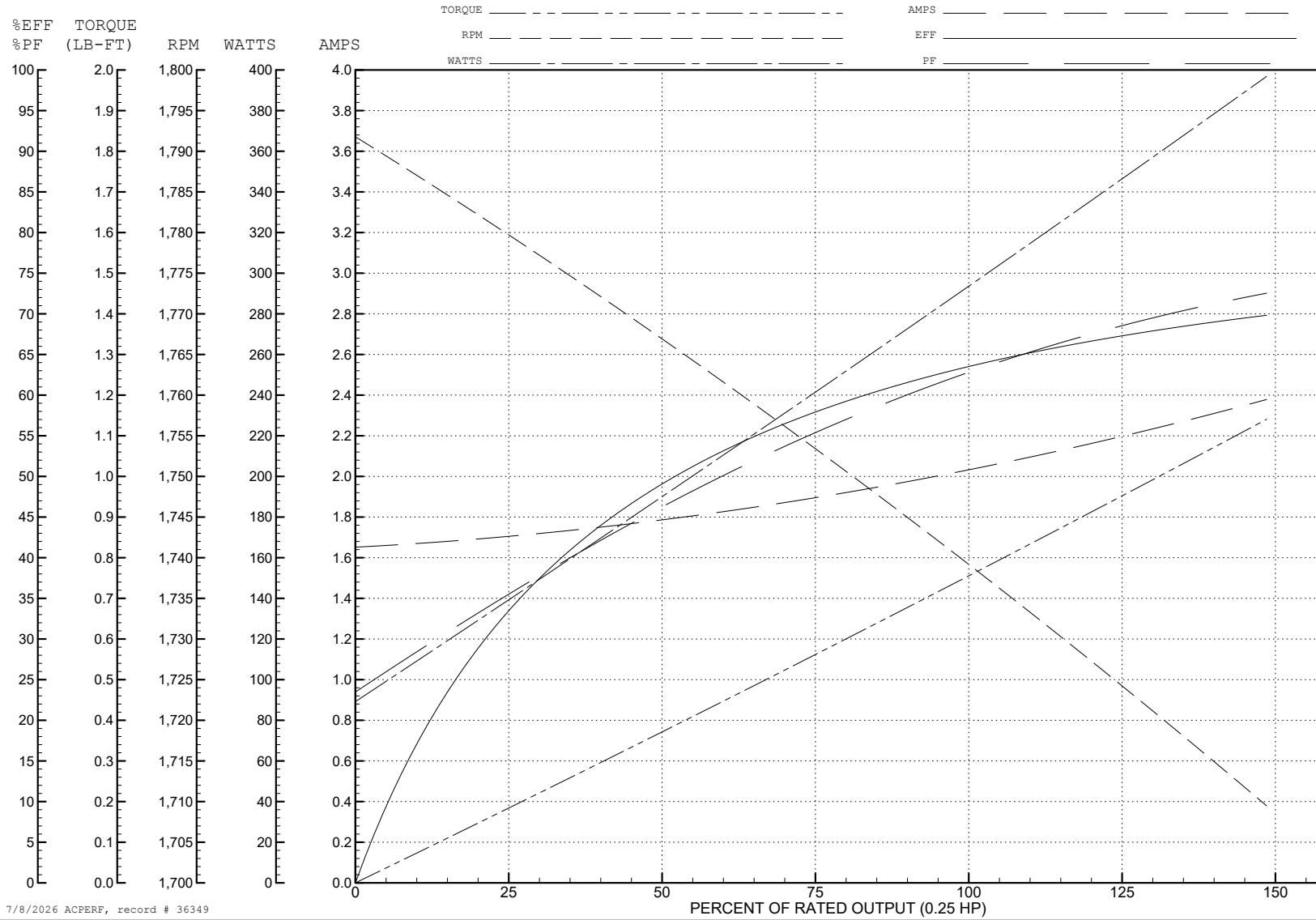
ABB Motors and Mechanical Inc.

WINDING # 34WGY855

0.25 HP 1 PH 60 HZ 1725 RPM 230 V 3414L

Typical performance - not guaranteed values.

TORQUES (LB-FT): PO=2.38 PU=1.68 LR=2.83 LRA=10.8



7/8/2026 ACPERF, record # 36349

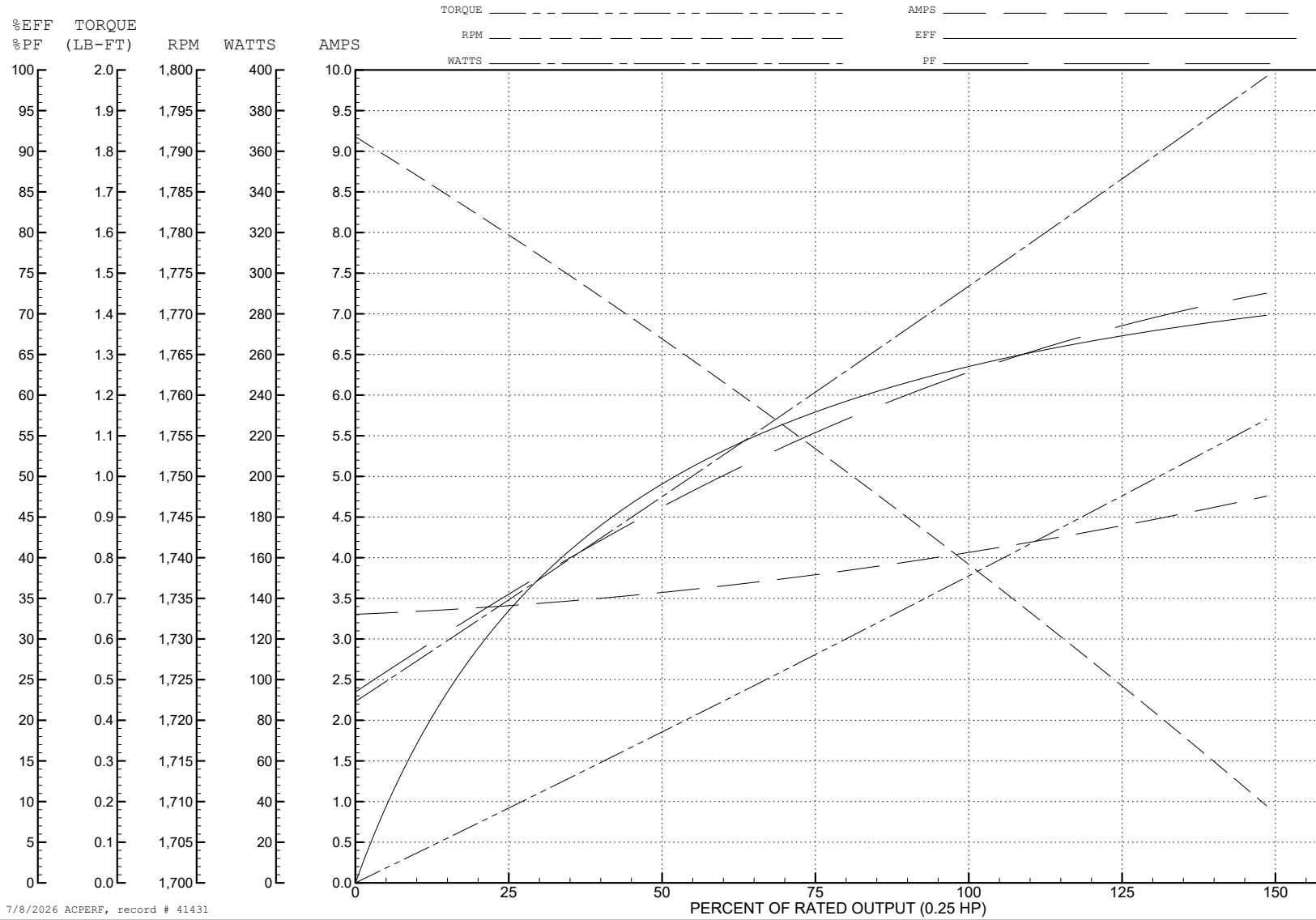
ABB Motors and Mechanical Inc.

WINDING # 34WGY855

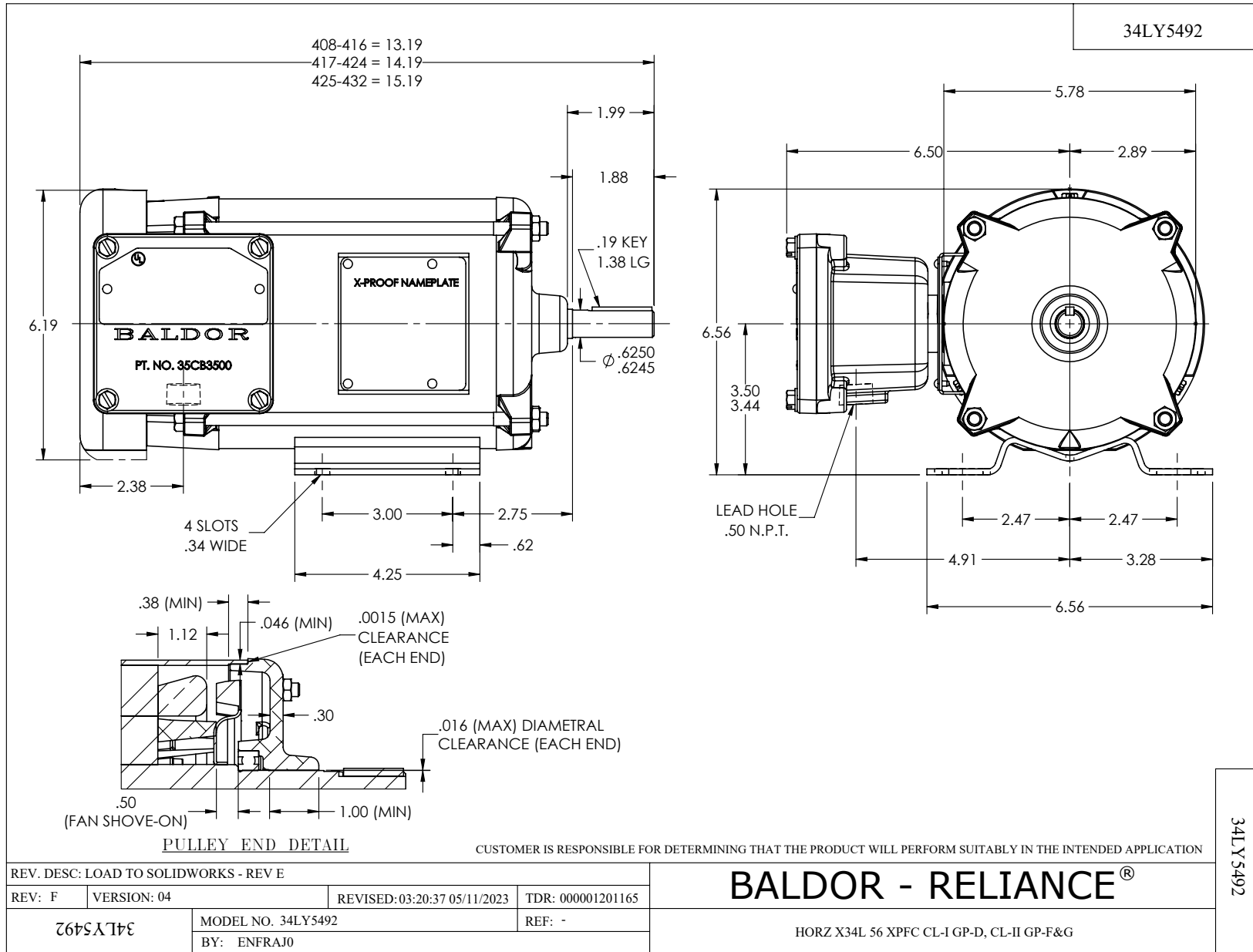
0.25 HP 1 PH 60 HZ 1725 RPM 115 V 3414L

Typical performance - not guaranteed values.

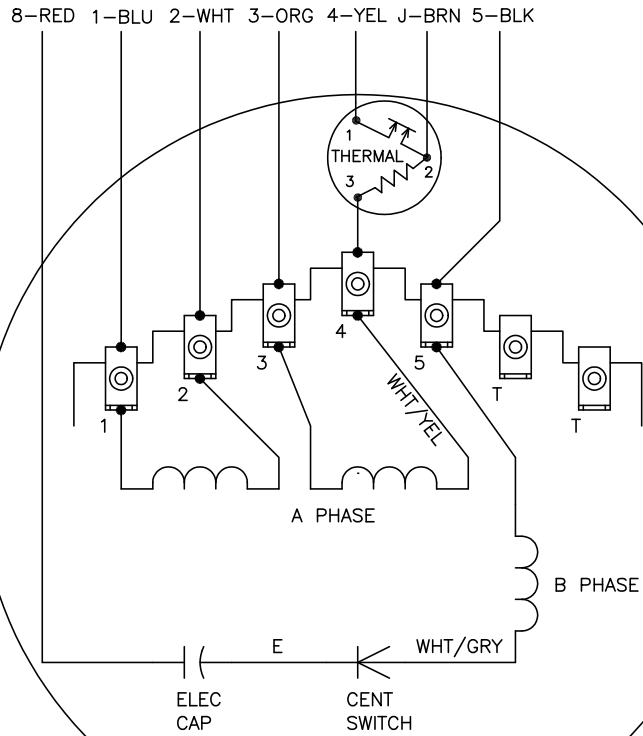
TORQUES (LB-FT): PO=2.38 PU=1.68 LR=2.83 LRA=21.6



7/8/2026 ACPERF, record # 41431



CD0565

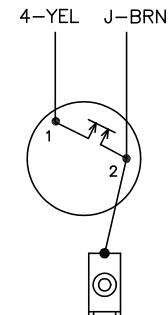


	LINE A	LINE B	JOIN	JOIN
HIGH STD	1	4	2,3,8	J,5
HIGH OPP	1	4	2,3,5	J,8
LOW STD	1,3,8	4	-	2,J,5
LOW OPP	1,3,5	4	-	2,J,8

NOTES:

1. STANDARD ROTATION IS CCW FACING END OPPOSITE SHAFT EXTENSION.
2. MULTIPLE CAPACITORS ARE CONNECTED IN PARALLEL UNLESS OTHERWISE SPECIFIED.
3. LEAD COLORS ARE OPTIONAL. LEADS MUST ALWAYS BE NUMBERED AS SHOWN.

CONNECTIONS FOR TWO-TERMINAL THERMAL



REV. DESC: REVISE TO SHOW OPTIONAL COLORS			
REV. LTR: C	BY: JLP	REVISED: 04/08/99 3: 25	TDR: 0178636
99000		FILE: AAA00014311	MDL: -
		MTL: -	

BALDOR ELECTRIC Co.

TYPE L, DV, REV, THERMAL, 7 LD, 34XP

CD0565