

BALDOR • RELIANCE

Customer information packet

XL040342A

.33HP, 1725RPM, 1PH, 60HZ, 48, 3414L, XPFC, F1

Class - CLI GP D; CLII GP F,G

Division - Division I

Specifications

Enclosure	XPFC
Frame	48
Frame Material	Steel
Frequency	60.00 Hz
Haz Area Class and Group	CLI GP D; CLII GP F,G
Haz Area Division	Division I
Motor Letter Type	Cap Start, Induction Run
Output @ Frequency	.330 HP @ 60 HZ
Phase	1
Synchronous Speed @ Frequency	1800 RPM @ 60 HZ
Voltage @ Frequency	230.0 V @ 60 HZ 115.0 V @ 60 HZ 208.0 V @ 60 HZ
Agency Approvals	CSA UL
Ambient Temperature	40 °C
Auxillary Box	No Auxillary Box
Auxillary Box Lead Termination	None
Base Indicator	Rigid
Bearing Grease Type	Polyrex EM (-20F +300F)
Blower	None
Current @ Voltage	3.000 A @ 230.0 V 3.200 A @ 208.0 V 6.000 A @ 115.0 V
Design Code	N
Drip Cover	No Drip Cover
Duty Rating	CONT
Efficiency @ 100% Load	60.0 %
Electrically Isolated Bearing	Not Electrically Isolated
Feedback Device	NO FEEDBACK
Haz Area Temp Code	T3C
Heater Indicator	No Heater

Part detail

Revision	D
Type	AC
Mech. spec.	
Base	
Status	PRD/A
Elec. spec.	34WG5597
Layout	34LY6414
Eff. date	05-01-2024
CD Diagram	CD0565
Poles	04
Leads	7#18
Proprietary	False
Created date	04-21-2021

High Voltage Full Load Amps	3.0 a
Insulation Class	B
Inverter Code	Not Inverter
IP Rating	NONE
KVA Code	L
Lifting Lugs	No Lifting Lugs
Locked Bearing Indicator	No Locked Bearing
Motor Lead Termination	Flying Leads
Motor Standards	NEMA
Motor Type	3414L
Mounting Arrangement	F1
Number of Poles	4
Overall Length	12.84 IN
Power Factor	60
Product Family	Hazardous Location Motor
Pulley Face Code	Standard
Rodent Screen	None
Service Factor	1.00
Shaft Diameter	0.500 IN
Shaft Ground Indicator	No Shaft Grounding
Shaft Rotation	Reversible
Speed	1725 rpm
Speed Code	Single Speed
Starting Method	Direct on line
Thermal Device - Bearing	None
Thermal Device - Winding	None
Vibration Sensor Indicator	No Vibration Sensor
Winding Thermal 1	Automatic Thermal Overload
Winding Thermal 1 Location	ES
Winding Thermal 2	None

Nameplate

NP0016XPSL					
NO.		CC			
SER. #					
SPEC	34-0000-0414				
CAT.NO.	XL040342A				
H.P.	.33	T. CODE	T3C		
VOLTS	115/208-230				
AMPS	6/3.2-3				
R.P.M.	1725 34WG5597				
HZ	60	PH	1	CLASS	B
SER.F.	1.00	DES	N	CODE	L
RATING	40C AMB-CONT				
FRAME	48	NEMA NOM. EFF	60		
	PF	60			
BLANK	NEMA MG-1 PART 5, IP54				

AC Induction Motor Performance Data

Record # 6785

Typical performance - not guaranteed values

Winding: 34WG5597-R002		Type: 3414L		Enclosure: XPFC	
Nameplate Data			230 V, 60 Hz: High Voltage Connection		
Rated Output (HP)	.33		Full Load Torque	1 LB-FT	
Volts	115/208-230		Start Configuration	direct on line	
Full Load Amps	6/3.2-3		Breakdown Torque	2.95 LB-FT	
R.P.M.	1725		Pull-up Torque	2.55 LB-FT	
Hz	60	Phase	1	Locked-rotor Torque	3.6 LB-FT
NEMA Design Code	N	KVA Code	L	Starting Current	13 A
Service Factor (S.F.)	1		No-load Current	2.6 A	
NEMA Nom. Eff.	60	Power Factor	60	Line-line Res. @ 25°C	6.32 Ω A Ph 4.93 Ω B Ph
Rating - Duty	40C AMB-CONT		Temp. Rise @ Rated Load	59°C	

Load Characteristics 230 V, 60 Hz, 0.33 HP

% of Rated Load	25	50	75	100	125	150
Power Factor	31	41	52	60	67	73
Efficiency	33	41	52	60	61.5	61.5
Speed	1780	1760	1745	1725	1705	1680
Line amperes	2.6	2.7	2.8	3	3.3	3.7

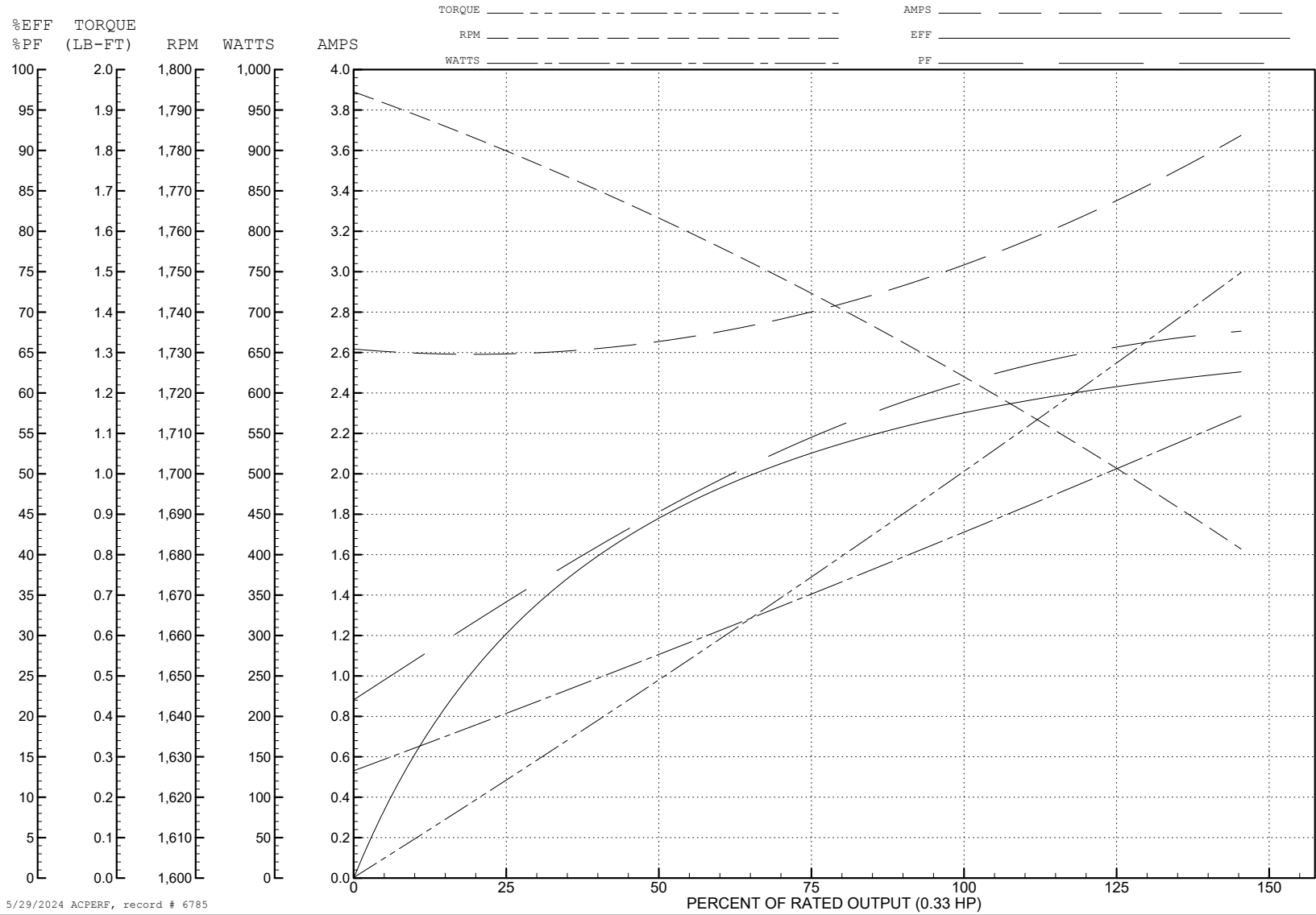
ABB Motors and Mechanical Inc.

WINDING # 34WG5597

0.33 HP 1 PH 60 HZ 1725 RPM 230 V 3414L

Typical performance - not guaranteed values.

TORQUES (LB-FT): PO=2.95 PU=2.55 LR=3.6 LRA=13



5/29/2024 ACPERF, record # 6785

AC Induction Motor Performance Data

Record # 39599

Typical performance - not guaranteed values

Winding: 34WG5597-R002		Type: 3414L		Enclosure: XPFC	
Nameplate Data			115 V, 60 Hz: Low Voltage Connection		
Rated Output (HP)	.33		Full Load Torque	1 LB-FT	
Volts	115/208-230		Start Configuration	direct on line	
Full Load Amps	6/3.2-3		Breakdown Torque	2.95 LB-FT	
R.P.M.	1725		Pull-up Torque	2.55 LB-FT	
Hz	60	Phase	1	Locked-rotor Torque	3.6 LB-FT
NEMA Design Code	N	KVA Code	L	Starting Current	26 A
Service Factor (S.F.)	1		No-load Current	5.2 A	
NEMA Nom. Eff.	60	Power Factor	60	Line-line Res. @ 25°C	1.5 Ω A Ph 4.81 Ω B Ph
Rating - Duty	40C AMB-CONT		Temp. Rise @ Rated Load	59°C	

Load Characteristics 115 V, 60 Hz, 0.33 HP

% of Rated Load	25	50	75	100	125	150
Power Factor	32	49	55	59	65	68
Efficiency	32.9	41	52.1	60.1	61.6	61.5
Speed	1780	1760	1745	1725	1705	1680
Line amperes	5.2	5.4	5.6	6	6.6	7.4

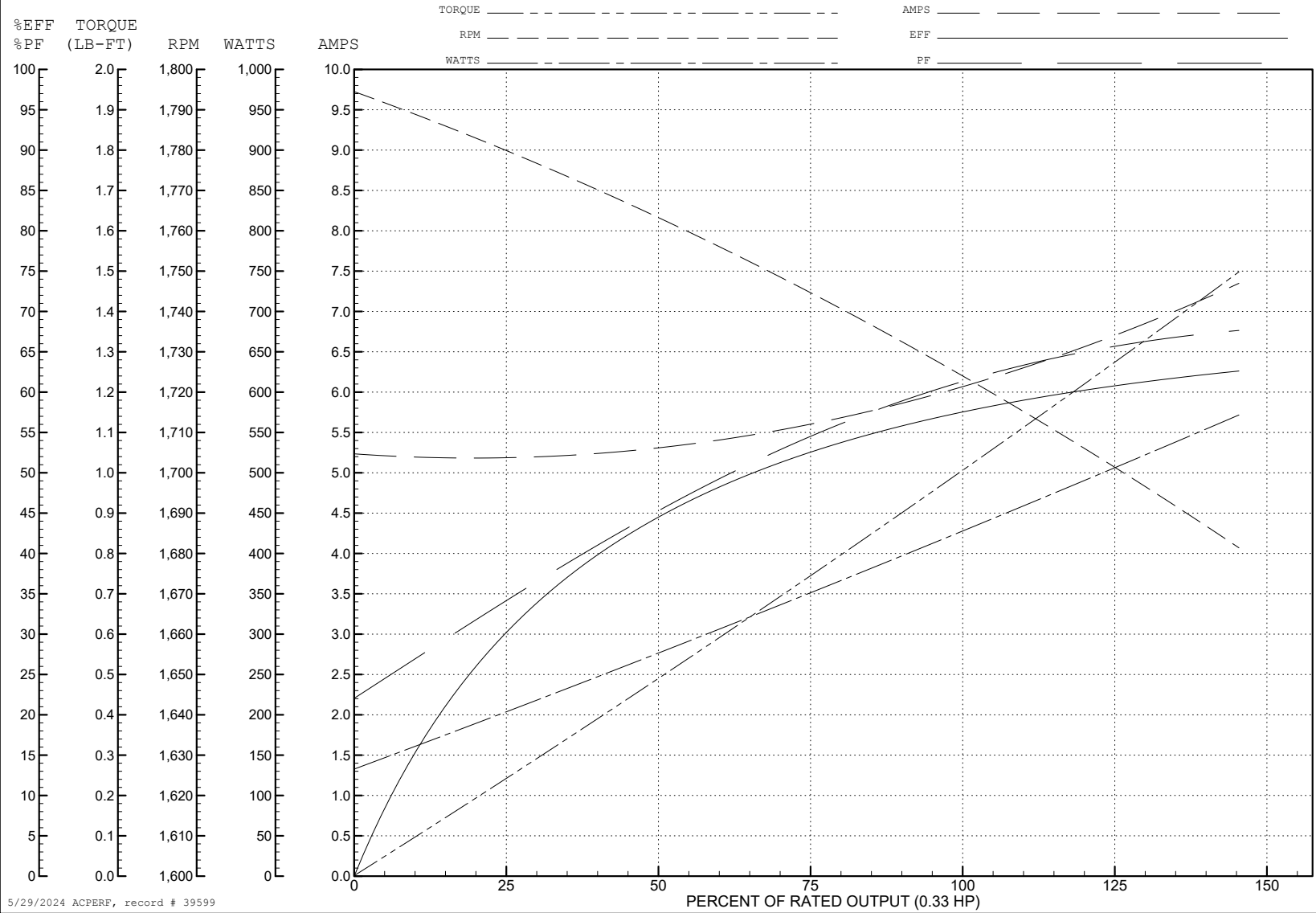
ABB Motors and Mechanical Inc.

WINDING # 34WG5597

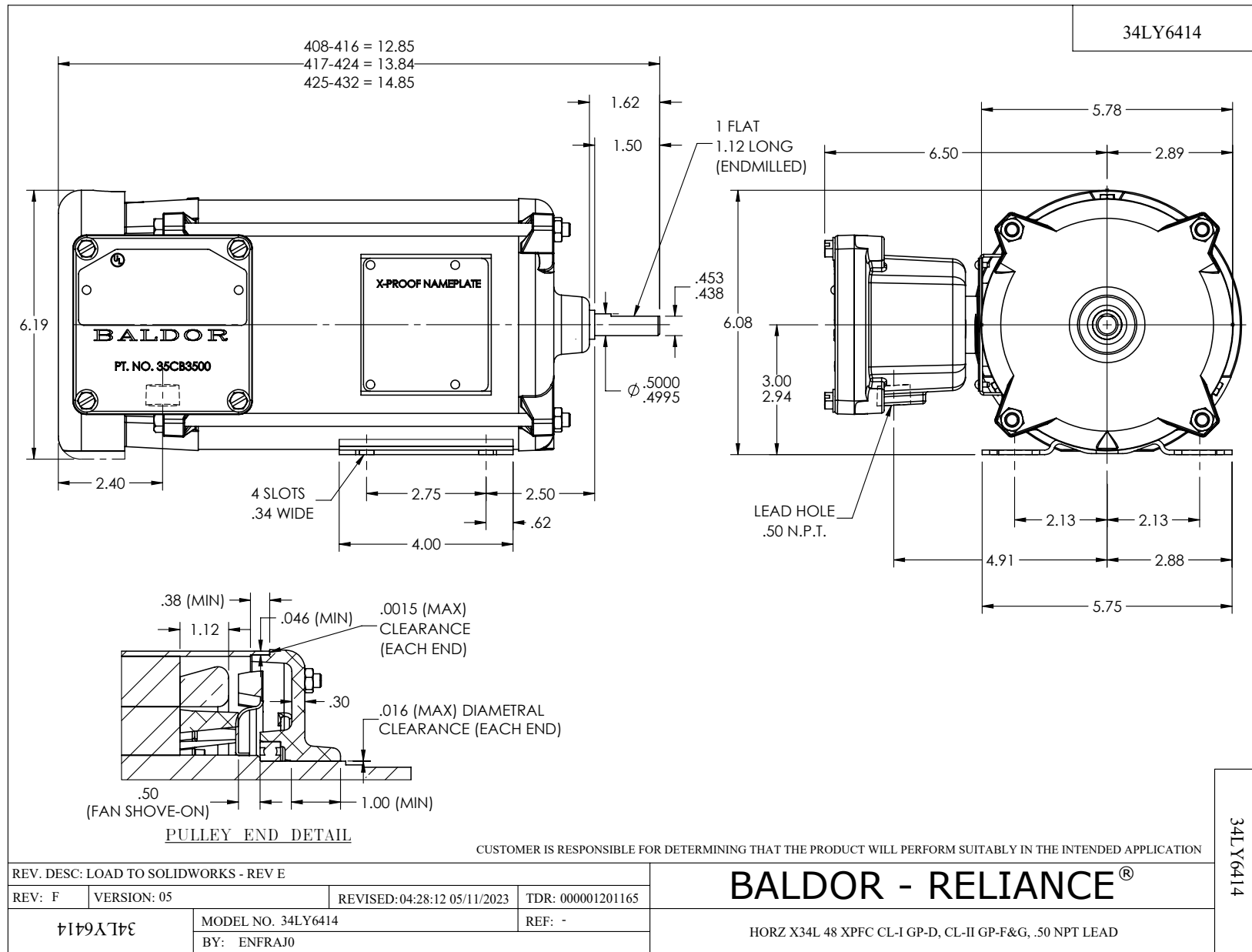
0.33 HP 1 PH 60 HZ 1725 RPM 115 V 3414L

Typical performance - not guaranteed values.

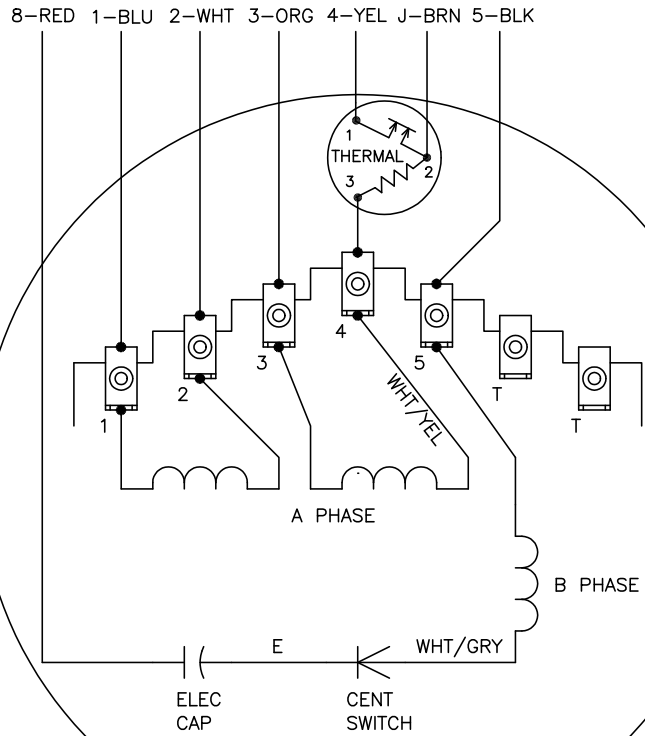
TORQUES (LB-FT): PO=2.95 PU=2.55 LR=3.6 LRA=26



5/29/2024 ACPERF, record # 39599



CD0565

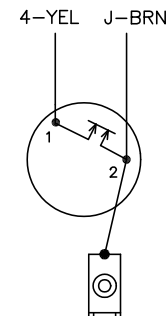


	LINE A	LINE B	JOIN	JOIN
HIGH STD	1	4	2,3,8	J,5
HIGH OPP	1	4	2,3,5	J,8
LOW STD	1,3,8	4	-	2,J,5
LOW OPP	1,3,5	4	-	2,J,8

NOTES:

1. STANDARD ROTATION IS CCW FACING END OPPOSITE SHAFT EXTENSION.
2. MULTIPLE CAPACITORS ARE CONNECTED IN PARALLEL UNLESS OTHERWISE SPECIFIED.
3. LEAD COLORS ARE OPTIONAL. LEADS MUST ALWAYS BE NUMBERED AS SHOWN.

CONNECTIONS FOR TWO-TERMINAL THERMAL



REV. DESC: REVISE TO SHOW OPTIONAL COLORS			
REV. LTR: C	BY: JLP	REVISED: 04/08/99 3:25	TDR: 0178636
99000		FILE: AAA00014311	MDL: -
		MTL: -	

BALDOR ELECTRIC Co.

TYPE L, DV, REV, THERMAL, 7 LD, 34XP

CD0565