



---

# Customer information packet

## XL040242A

.25HP, 1725RPM, 1PH, 60HZ, 48, 3411L, XPFC, F1

Class - CLI GP D; CLII GP F,G

Division - Division I

## Specifications

Enclosure	XPFC
Frame	48
Frame Material	Steel
Frequency	60.00 Hz
Haz Area Class and Group	CLI GP D; CLII GP F,G
Haz Area Division	Division I
Motor Letter Type	Cap Start, Induction Run
Output @ Frequency	.250 HP @ 60 HZ
Phase	1
Synchronous Speed @ Frequency	1800 RPM @ 60 HZ
Voltage @ Frequency	230.0 V @ 60 HZ 115.0 V @ 60 HZ 208.0 V @ 60 HZ
Agency Approvals	CSA UL
Ambient Temperature	40 °C
Auxillary Box	No Auxillary Box
Auxillary Box Lead Termination	None
Base Indicator	Rigid
Bearing Grease Type	Polyrex EM (-20F +300F)
Blower	None
Current @ Voltage	2.500 A @ 230.0 V 2.600 A @ 208.0 V 5.000 A @ 115.0 V
Design Code	N
Drip Cover	No Drip Cover
Duty Rating	CONT
Efficiency @ 100% Load	55.0 %
Electrically Isolated Bearing	Not Electrically Isolated
Feedback Device	NO FEEDBACK
Haz Area Temp Code	T3C
Heater Indicator	No Heater

## Part detail

Revision	E
Type	AC
Mech. spec.	
Base	
Status	PRD/A
Elec. spec.	34WGW368
Layout	34LY6414
Eff. date	09-04-2024
CD Diagram	CD0885
Poles	04
Leads	7#18
Proprietary	False
Created date	04-21-2021

High Voltage Full Load Amps	2.5 a
Insulation Class	B
Inverter Code	Not Inverter
IP Rating	NONE
KVA Code	L
Lifting Lugs	No Lifting Lugs
Locked Bearing Indicator	No Locked Bearing
Motor Lead Termination	Flying Leads
Motor Standards	NEMA
Motor Type	3411L
Mounting Arrangement	F1
Number of Poles	4
Overall Length	12.84 IN
Power Factor	57
Product Family	Hazardous Location Motor
Pulley Face Code	Standard
Rodent Screen	None
Service Factor	1.00
Shaft Diameter	0.500 IN
Shaft Ground Indicator	No Shaft Grounding
Shaft Rotation	Reversible
Speed	1725 rpm
Speed Code	Single Speed
Starting Method	Direct on line
Thermal Device - Bearing	None
Thermal Device - Winding	None
Vibration Sensor Indicator	No Vibration Sensor
Winding Thermal 1	Automatic Thermal Overload
Winding Thermal 1 Location	SB
Winding Thermal 2	None

**Nameplate**

NP0016XPSL					
<b>NO.</b>		<b>CC</b>			
<b>SER. #</b>					
<b>SPEC</b>	34-0000-0412				
<b>CAT.NO.</b>	XL040242A				
<b>H.P.</b>	.25	<b>T. CODE</b>	T3C		
<b>VOLTS</b>	115/208-230				
<b>AMPS</b>	5/2.6-2.5				
<b>R.P.M.</b>	1725 34WGW368				
<b>HZ</b>	60	<b>PH</b>	1	<b>CLASS</b>	B
<b>SER.F.</b>	1.00	<b>DES</b>	N	<b>CODE</b>	L
<b>RATING</b>	40C AMB-CONT				
<b>FRAME</b>	48	<b>NEMA NOM. EFF</b>	55		
	<b>PF</b>	57			
<b>BLANK</b>	NEMA MG-1 PART 5, IP54				

**AC Induction Motor Performance Data**

Record # 6961

Typical performance - not guaranteed values

Winding: 34WGW368-R001		Type: 3411L	Enclosure: XPFC
<b>Nameplate Data</b>		<b>230 V, 60 Hz: High Voltage Connection</b>	
Rated Output (HP)	.25	Full Load Torque	0.781 LB-FT
Volts	115/208-230	Start Configuration	direct on line
Full Load Amps	5/2.6-2.5	Breakdown Torque	3.72 LB-FT
R.P.M.	1725	Pull-up Torque	2.15 LB-FT
Hz	60 Phase	Locked-rotor Torque	2.79 LB-FT
NEMA Design Code	N KVA Code	Starting Current	11 A
Service Factor (S.F.)		No-load Current	2.34 A
NEMA Nom. Eff.	55 Power Factor	Line-line Res. @ 25°C	8.77 Ω A Ph 6.84 Ω B Ph
Rating - Duty	40C AMB-CONT	Temp. Rise @ Rated Load	

**Load Characteristics 230 V, 60 Hz, 0.25 HP**

% of Rated Load	25	50	75	100	125	150
Power Factor	36	45	53	60	66	72
Efficiency	31.6	42.2	50	54.7	56.3	56.5
Speed	1767	1752	1738	1719	1698	1672
Line amperes	2.32	2.36	2.42	2.53	2.7	2.93

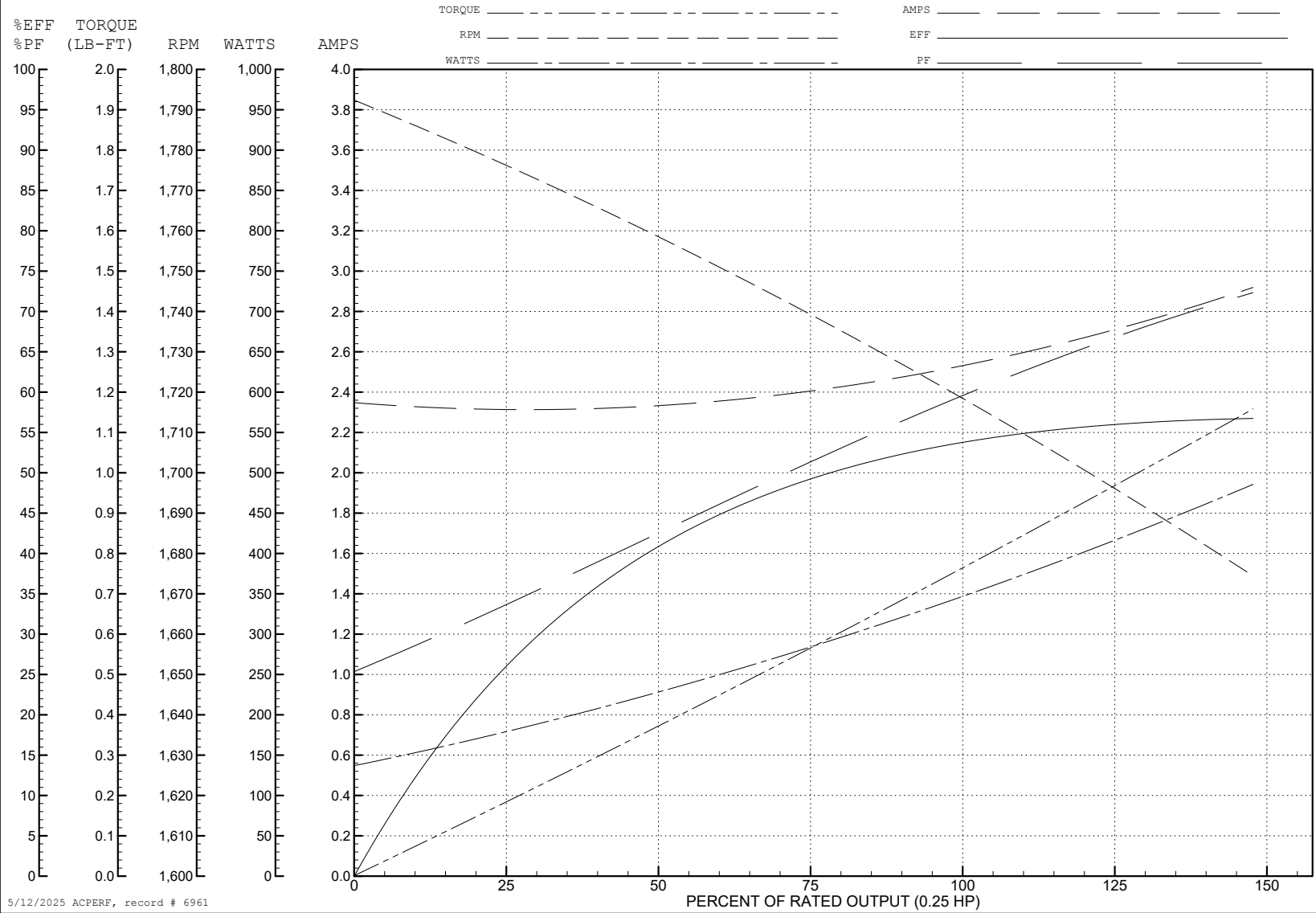
ABB Motors and Mechanical Inc.

WINDING # 34WGW368

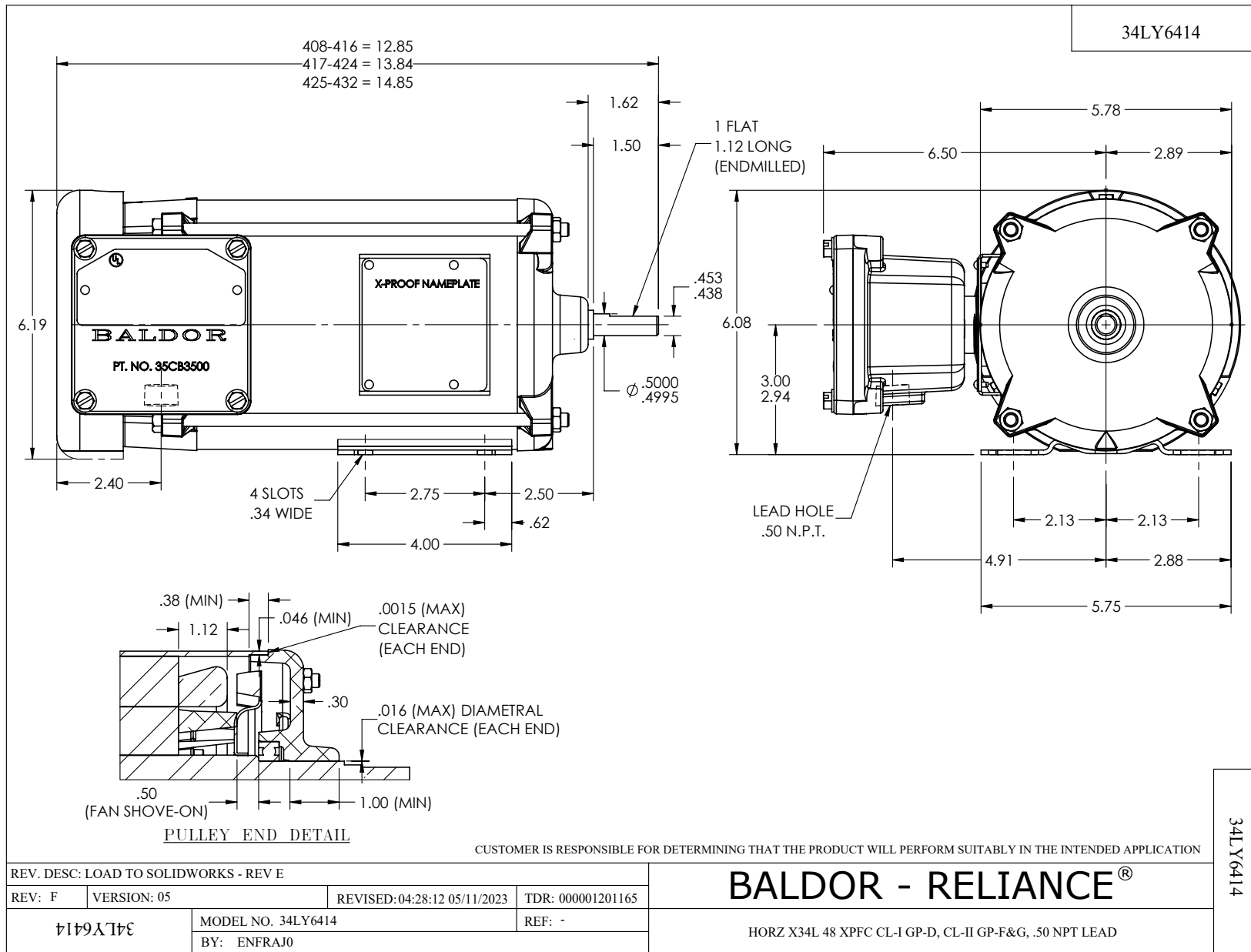
0.25 HP 1 PH 60 HZ 1725 RPM 230 V 3411L

Typical performance - not guaranteed values.

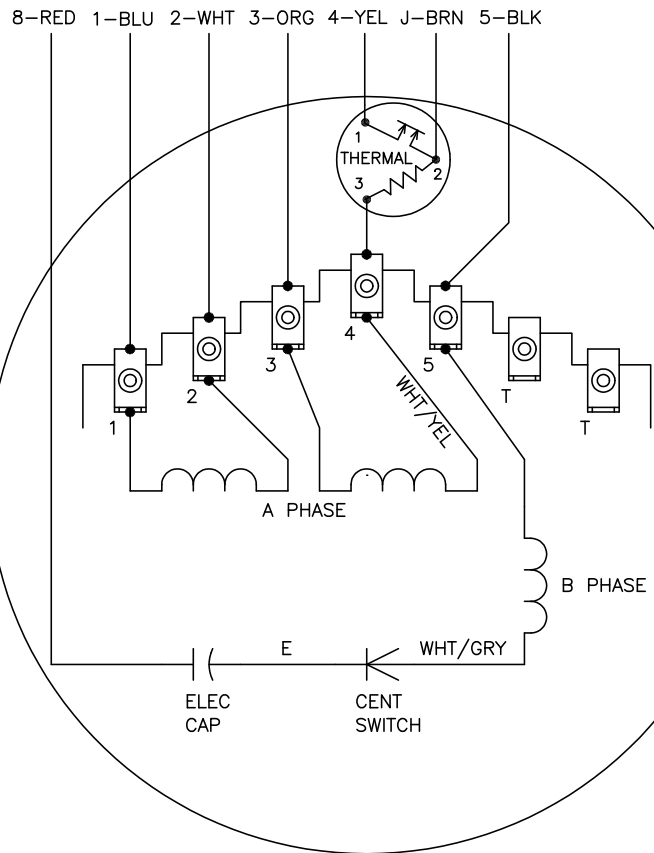
TORQUES (LB-FT): PO=3.72 PU=2.15 LR=2.79 LRA=11



5/12/2025 ACPERF, record # 6961



CD0885



	LINE A	LINE B	JOIN	JOIN
HIGH STD	1,8	4	2,3,5	J
HIGH OPP	1,5	4	2,3,8	J
LOW STD	1,3,8	4	-	2,J,5
LOW OPP	1,3,5	4	-	2,J,8

NOTES:

1. STANDARD ROTATION IS CCW FACING END OPPOSITE SHAFT EXTENSION.
2. MULTIPLE CAPACITORS ARE CONNECTED IN PARALLEL UNLESS OTHERWISE SPECIFIED.
3. LEAD COLORS ARE OPTIONAL. LEADS MUST ALWAYS BE NUMBERED AS SHOWN.

REV. DESC: REVISE TO SHOW OPTIONAL COLORS			
REV. LTR: B	BY: JLP	REVISED: 04/08/99 4:16	TDR: 0178636
S880C0		FILE: AAA00014285	MDL: -
		MTL: -	

**BALDOR ELECTRIC Co.**

TYPE L, DV, REV, THERM, 7 LD, B PH A THRU HTR HVC, 34XP

CD0885