

ABB BALDOR RELIANCE III

Customer information packet XEFRPM28254

25HP, 1800, 460V, HL284T, TEFC, F1

Specifications

Enclosure	TEFC
Frame	HL284T
Frame Material	Exposed Laminations
Frequency	60.00 Hz
Output @ Frequency	25.000 HP @ 60 HZ
Phase	3
Synchronous Speed @ Frequency	1800 RPM @ 60 HZ
Voltage @ Frequency	460.0 V @ 60 HZ
Agency Approvals	CCSA US NEMA PREMIUM
Auxiliary Box	NO AUXILLARY BOX
Base Indicator	Rigid
Bearing Grease Type	Polyrex EM (-20F +300F)
Constant Torque Speed Range	1-60
Current @ Voltage	25.200 A @ 460.0 V
Duty Rating	CONT
Feedback Device	NO FEEDBACK
Frame Prefix	HL
Heater Indicator	No Heater
High Voltage Full Load Amps	25.2 a
Insulation Class	H
KVA Code	G
Motor Standards	NEMA
Mounting Arrangement	F1
Overall Length	26.38 IN
Product Family	Fan
Pulley End Bearing Type	Ball
Pulley Face Code	Standard
Service Factor	1.15
Shaft Diameter	1.875 IN
Shaft Ground Indicator	No Shaft Grounding
Shaft Rotation	Reversible

Part Detail

Revision	F
Type	AC
Mech. spec.	
Base	
Status	PRD/A
Elec. spec.	LS7018A
Layout	619696-001
Eff. date	04-23-2019
CD Diagram	422927-001
Poles	04
Leads	
Proprietary	False
Created date	05-13-2016

Speed	1800 rpm
Thermal Device - Bearing	None
Thermal Device - Winding	Normally Closed Thermostat

Nameplate

000613007QF

	DUTY	HP	RPM	AMPS	VOLTS	HZ					
	CONT	25	1800	25.2	460	60					
CAT.NO.	XEFRPM28254		SPEC. NO.		H28-A000-0002						
SER.NO.			FRAME SIZE		HL284T	TYPE PSM					
AMB.	40	S.F.	1.15	ENCL.	TEFC	PH	3	DESIGN	B	CODE	G
NEMA NOM. EFF	95.4	GUARANTEED EFFICIENCY			94.5	POWER FACTOR		95.2	INSUL. CLASS H		
D.E. BRG.	50BC03J30X		O.D.E. BRG.		45BC02J30X						
VPWM INVERTER DUTY @1.0SF	CHP HZ	60-90		CT HZ	1-60		VT HZ	0-60			
	X/T										

000692000VY

MEAS OPEN CIRCUIT VOLTAGE

IS VOLTS AT RPM.

S.O.	FRAME	HP	TYPE	PHASE	HERTZ	RPM
--	HL284T	25	PSM	3	60	1800
VOLTS	AMPS	DUTY	AMB ^o C	INSUL	S.F.	NEMA DESIGN
460	25.8	CONT	40	H	1.15	B
CODE LETTER	ENCL	ROTOR INERTIA (lb-ft ²)	STATOR RES. @ 25 ^o C OHMS (BETWEEN LINES)			
G	TEFC	1.82	.4081		TYPICAL DATA	

PERFORMANCE

LOAD	HP	AMPERES	RPM	% POWER FACTOR	% EFFICIENCY
NO LOAD	0	14.4	1800	3.90	N/A
1/4	6.25	11.9	1800	53.5	91.6
2/4	12.5	14.7	1800	83.8	94.8
3/4	18.7	19.9	1800	92.7	95.4
4/4	25.0	25.8	1800	95.2	95.4
5/4	31.2	32.2	1800	95.6	95.1

SPEED TORQUE

	RPM	TORQUE (% FULL LOAD)	TORQUE (lb-ft)	AMPERES
LOCKED ROTOR	0	177	129.2	187.1
PULL OUT	1800	253	184.6	94.7
FULL LOAD	1800	100	72.9	25.8

THIS IS A PERMANENT MAGNET MOTOR
GENERATED OPEN CIRCUIT LINE-LINE VOLTAGE at 25^oC = 20.0 VOLTS PER 100 RPM

REMARKS:



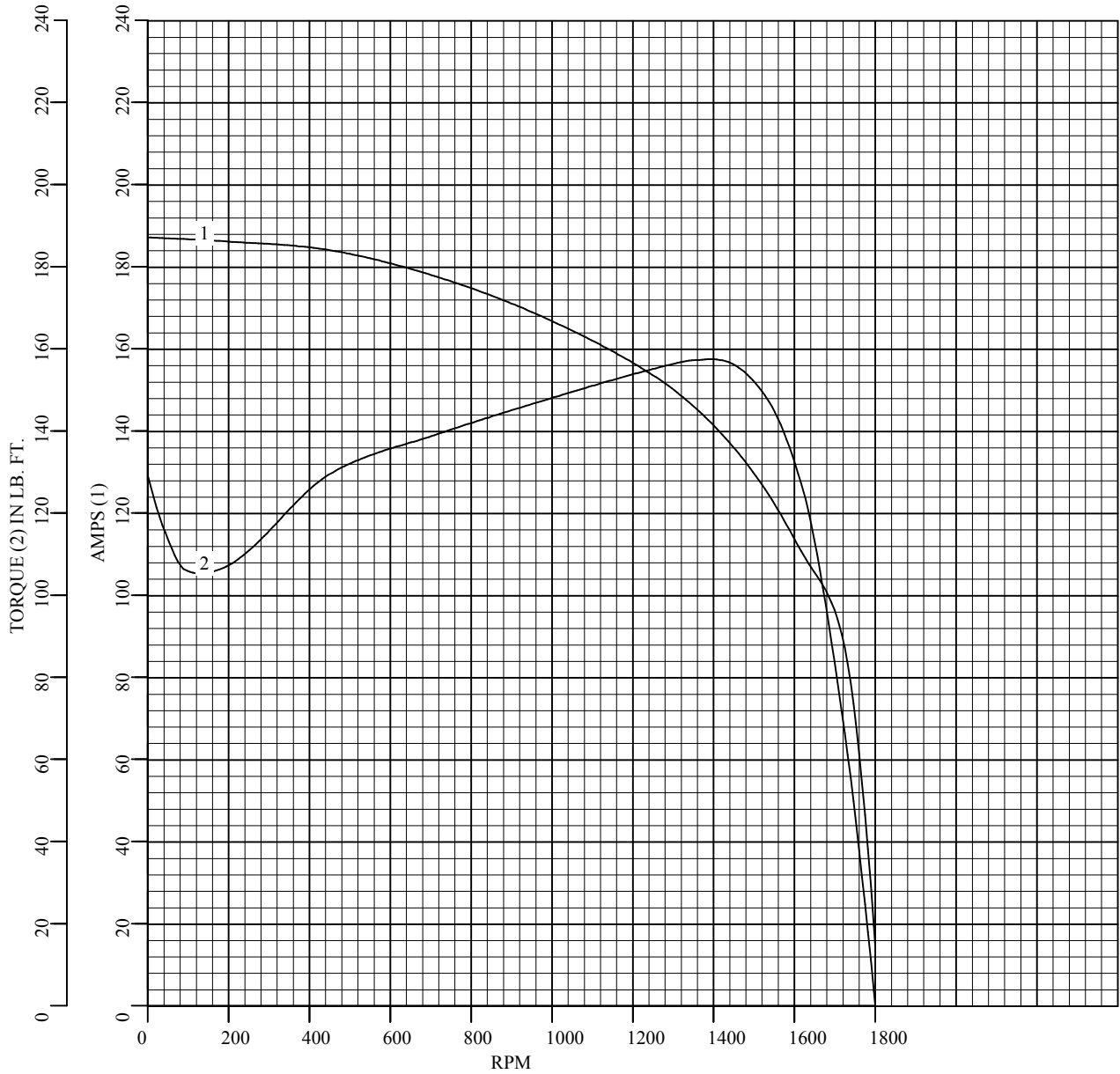
DR. BY CAD
CK. BY RFM
APP. BY RFM
DATE 05/25/2016

**LSPM MOTOR
PERFORMANCE LS7018A
DATA**

ISSUE DATE 05/25/2016

S.O.	--	HERTZ	60	AMB°C	40	CODE LETTER	G
FRAME	HL284T	RPM	1800	INSUL	H	WK ² (lb-ft ²)	1.82
HP	25	VOLTS	460	S.F.	1.15	NEMA DESIGN	B
TYPE	PSM	AMPS	25.8	ENCL	TEFC	STATOR RES. @ 25°C	.4081
PHASE	3	DUTY	CONT			OHMS (BETWEEN LINES)	

Amps & Torque vs. RPM During Acceleration



TYPICAL DATA



DR. BY CAD
 CK. BY RFM
 APP. BY RFM
 DATE 05/25/2016

**LSPM MOTOR
 PERFORMANCE
 CURVES**

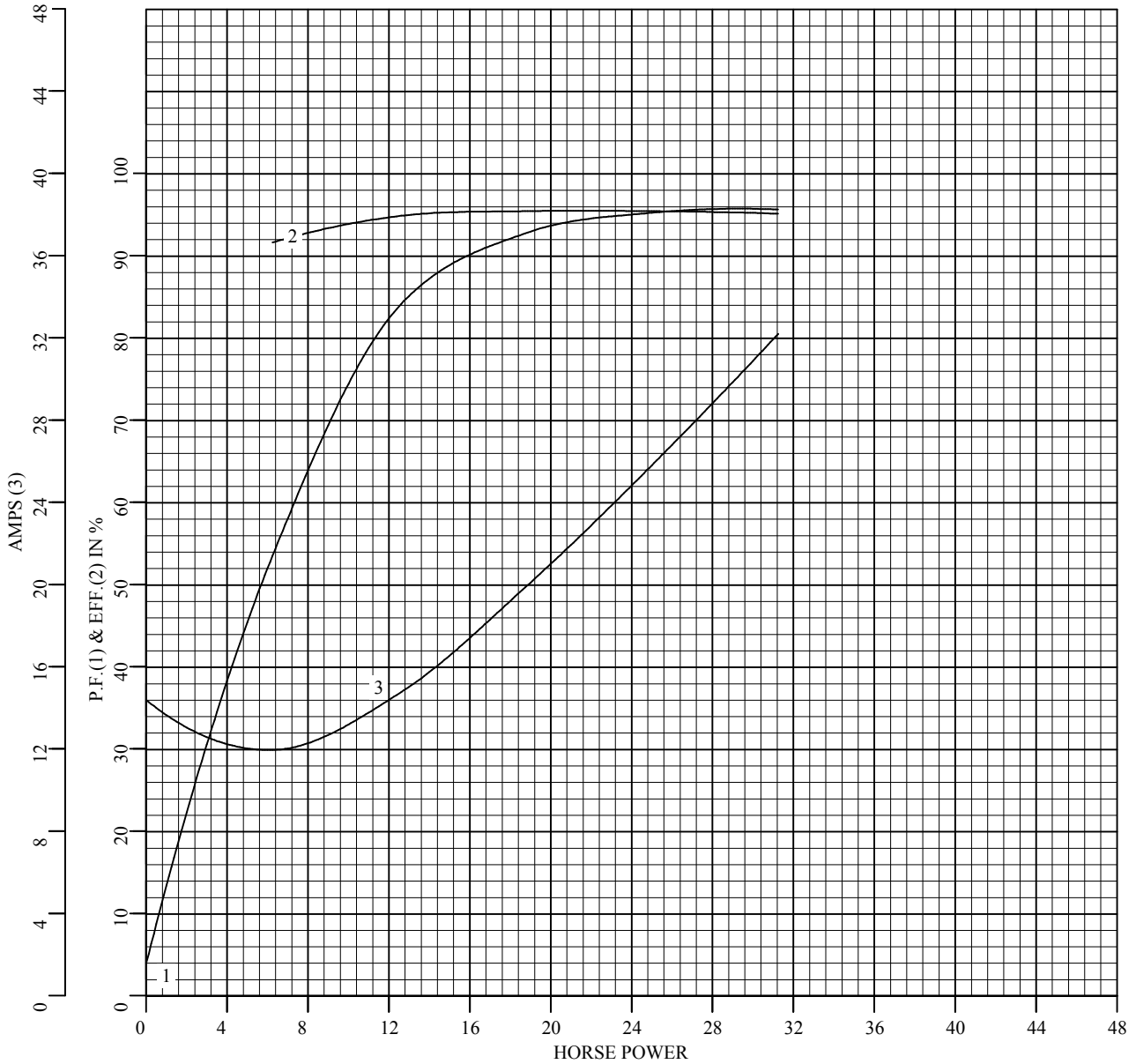
LS7018A

ISSUE DATE

05/25/2016

S.O.	--	HERTZ	60	AMB°C	40	CODE LETTER	G
FRAME	HL284T	RPM	1800	INSUL	H	WK ² (lb-ft ²)	1.82
HP	25	VOLTS	460	S.F.	1.15	NEMA DESIGN	B
TYPE	PSM	AMPS	25.8	ENCL	TEFC	STATOR RES. @ 25°C	.4081
PHASE	3	DUTY	CONT			OHMS (BETWEEN LINES)	

Performance Data vs. HP
At Synchronous Speed



TYPICAL DATA



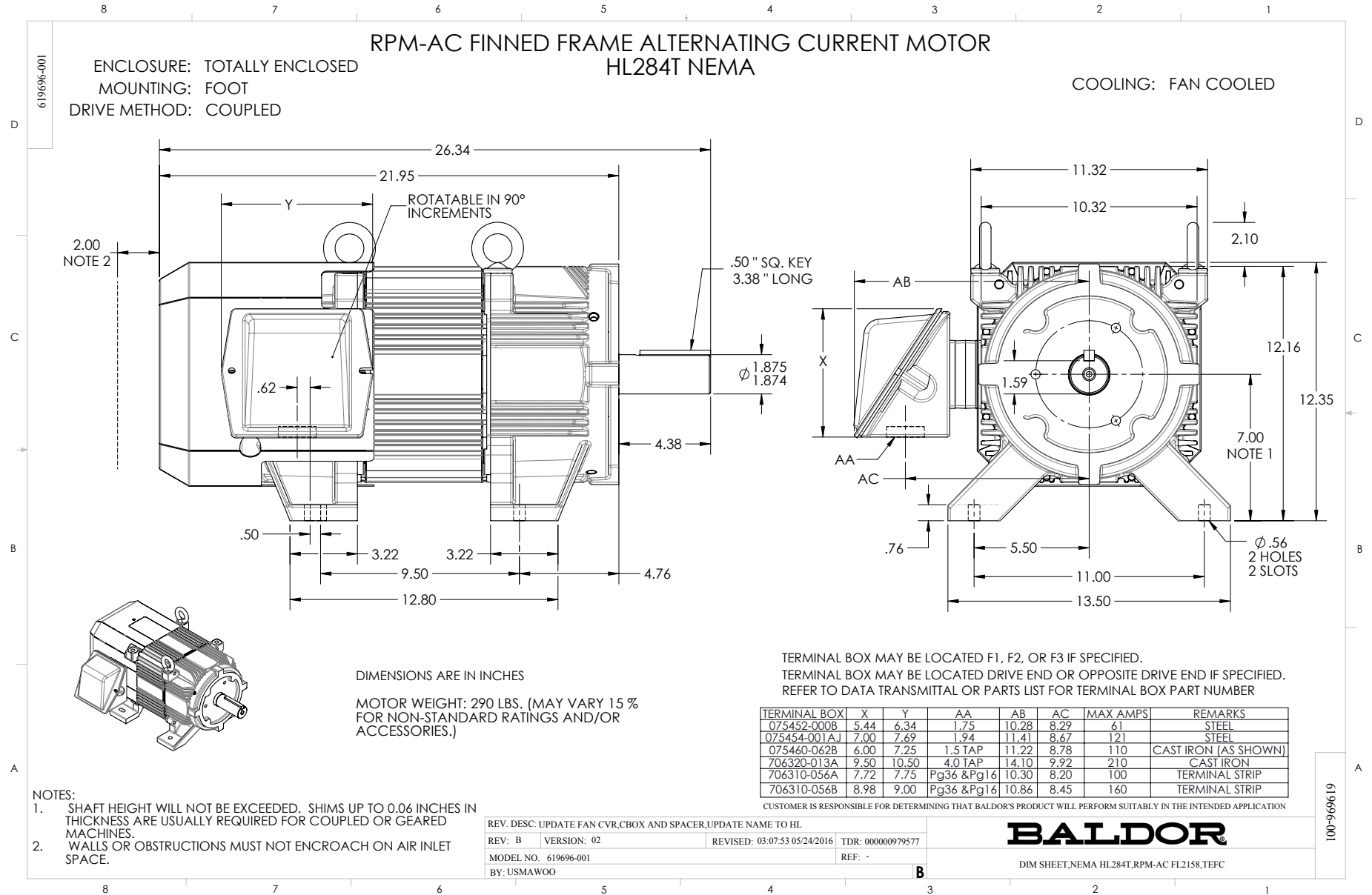
DR. BY CAD
 CK. BY RFM
 APP. BY RFM
 DATE 05/25/2016

**LSPM MOTOR
 PERFORMANCE
 CURVES**

LS7018A

ISSUE DATE

05/25/2016



422927-001



NOTE:
DATA TO BE SIZED
SO THAT IT FITS INTO
MATERIAL DECAL
DIMENSIONS. MAKE
LETTERS & NUMBERS
AS LARGE AS POSSIBLE.

MATERIAL: CERAMATIC DGF-P4
PERMA GRIP ADHESIVE

ALL LETTERS, NUMBERS
AND LINES TO BE BLACK
ON WHITE BACKGROUND.

NOTE:
CONNECT ALL LEADS
WITH THE SAME MARKING
TOGETHER WHEN CONNECTING
POWER TO THE MOTOR

422927-001

REV. DESC: CHANGE BACKGROUND COLOR FROM GOLD TO WHITE		
REV. LTR: B	VERSION: 02	TDR: 00000788708
FILE: \RGG\00000\203	REVISED: 08:09:29 03/04/2013	
MTL: -	BY: RGGWT	

BALDOR

EXTERNAL CONNECTION LABEL

SH 1 of 1