

BALDOR • RELIANCE

Customer information packet

VXT3302TS

30HP, 3525RPM, 3PH, 60HZ, 286TSC, 1048M, TEFC

Class - CLI GP A,B,C,D

Division - Division II

Specifications

Enclosure	TEFC
Frame	286TSC
Frame Material	Iron
Frequency	60.00 Hz
Haz Area Class and Group	CLI GP A,B,C,D
Haz Area Division	Division II
Motor Letter Type	Three Phase
Output @ Frequency	30.000 HP @ 60 HZ
Phase	3
Synchronous Speed @ Frequency	3600 RPM @ 60 HZ
Voltage @ Frequency	460.0 V @ 60 HZ 230.0 V @ 60 HZ
Agency Approvals	CCSA US CCSAUSEEV CSA EEV NEMA PREMIUM NEMA_PREMIUM UR
Ambient Temperature	40 °C
Auxillary Box	No Auxillary Box
Auxillary Box Lead Termination	None
Base Indicator	No Mounting
Bearing Grease Type	Polyrex EM (-20F +300F)
Blower	None
Constant Torque Speed Range	6
Current @ Voltage	68.000 A @ 230.0 V 76.000 A @ 208.0 V 34.000 A @ 460.0 V
Design Code	B
Drip Cover	No Drip Cover
Duty Rating	CONT
Efficiency @ 100% Load	91.7 %

Part detail

Revision	G
Type	AC
Mech. spec.	
Base	
Status	PRD/A
Elec. spec.	10WGZ501
Layout	10LYE310
Eff. date	06-28-2024
CD Diagram	CD0180
Poles	02
Leads	9#10
Proprietary	False
Created date	08-03-2020

Electrically Isolated Bearing	Not Electrically Isolated
Feedback Device	NO FEEDBACK
Haz Area Temp Code	T3
Heater Indicator	No Heater
High Voltage Full Load Amps	34.0 a
Insulation Class	F
Inverter Code	Inverter Duty
IP Rating	NONE
KVA Code	G
Lifting Lugs	Standard Lifting Lugs
Locked Bearing Indicator	Locked Bearing
Max Speed	5400 rpm
Motor Lead Termination	Flying Leads
Motor Standards	NEMA
Motor Type	1048M
Mounting Arrangement	F1
Number of Poles	2
Overall Length	26.39 IN
Power Factor	90
Product Family	General Purpose
Pulley Face Code	C-Face
Rodent Screen	None
Service Factor	1.15
Shaft Diameter	1.625 IN
Shaft Ground Indicator	No Shaft Grounding
Shaft Rotation	Reversible
Speed	3525 rpm
Speed Code	Single Speed
Starting Method	Direct on line
Thermal Device - Bearing	None
Thermal Device - Winding	None
Vibration Sensor Indicator	No Vibration Sensor
Winding Thermal 1	None
Winding Thermal 2	None

Nameplate

NP4163L										
CAT.NO.	VXT3302TS					I.P.	54			
SPEC.	10-0001436					ENCL	TEFC			
FRAME	286TSC		H.P.	30						
VOLTS	230/460		P.F.	90						
F.L. AMPS	68/34		RATING	40C AMB-CONT						
R.P.M.	3525									
HZ.	60		PH.	3		CLASS	F			
SER.F.	1.15		DES.	B		SL HZ	1.3			
NEMA NOM. EFF.	91.7		WK2	2.07						
DE	6311		ODE	6309						
MAG. CUR.	17.4/8.7									
INV TYPE	PWM	CHP	60	TO	90	T. CODE	T3			
CT	6	TO	60	VT	3	TO	60			
CC	010A		SN							
USABLE AT 50HZ 25HP 190/380V										
70/35A SF1.0										

AC Induction Motor Performance Data

Record # 55452

Typical performance - not guaranteed values

Winding: 10WGZ501-R001		Type: 1048M		Enclosure: TEFC	
Nameplate Data			460 V, 60 Hz: High Voltage Connection		
Rated Output (HP)		30	Full Load Torque		44.8 LB-FT
Volts		230/460	Start Configuration		direct on line
Full Load Amps		68/34	Breakdown Torque		135 LB-FT
R.P.M.		3520	Pull-up Torque		47 LB-FT
Hz	60 Phase	3	Locked-rotor Torque		65.2 LB-FT
NEMA Design Code	B KVA Code	G	Starting Current		212 A
Service Factor (S.F.)		1.15	No-load Current		8.74 A
NEMA Nom. Eff.	91.7 Power Factor	90	Line-line Res. @ 25°C		0.24052 Ω
Rating - Duty		40C AMB-CONT	Temp. Rise @ Rated Load		69°C
S.F. Amps			Temp. Rise @ S.F. Load		85°C
			Locked-rotor Power Factor		23.2

Load Characteristics 460 V, 60 Hz, 30 HP

% of Rated Load	25	50	75	100	125	150	S.F.
Power Factor	67	83	88	90	90	90	90
Efficiency	87	91.3	92	91.7	90.9	89.7	91.2
Speed	3583	3565.7	3547.3	3526.7	3504.4	3479.1	3513
Line amperes	12.4	18.7	26.1	34.1	43.1	52.5	39.5

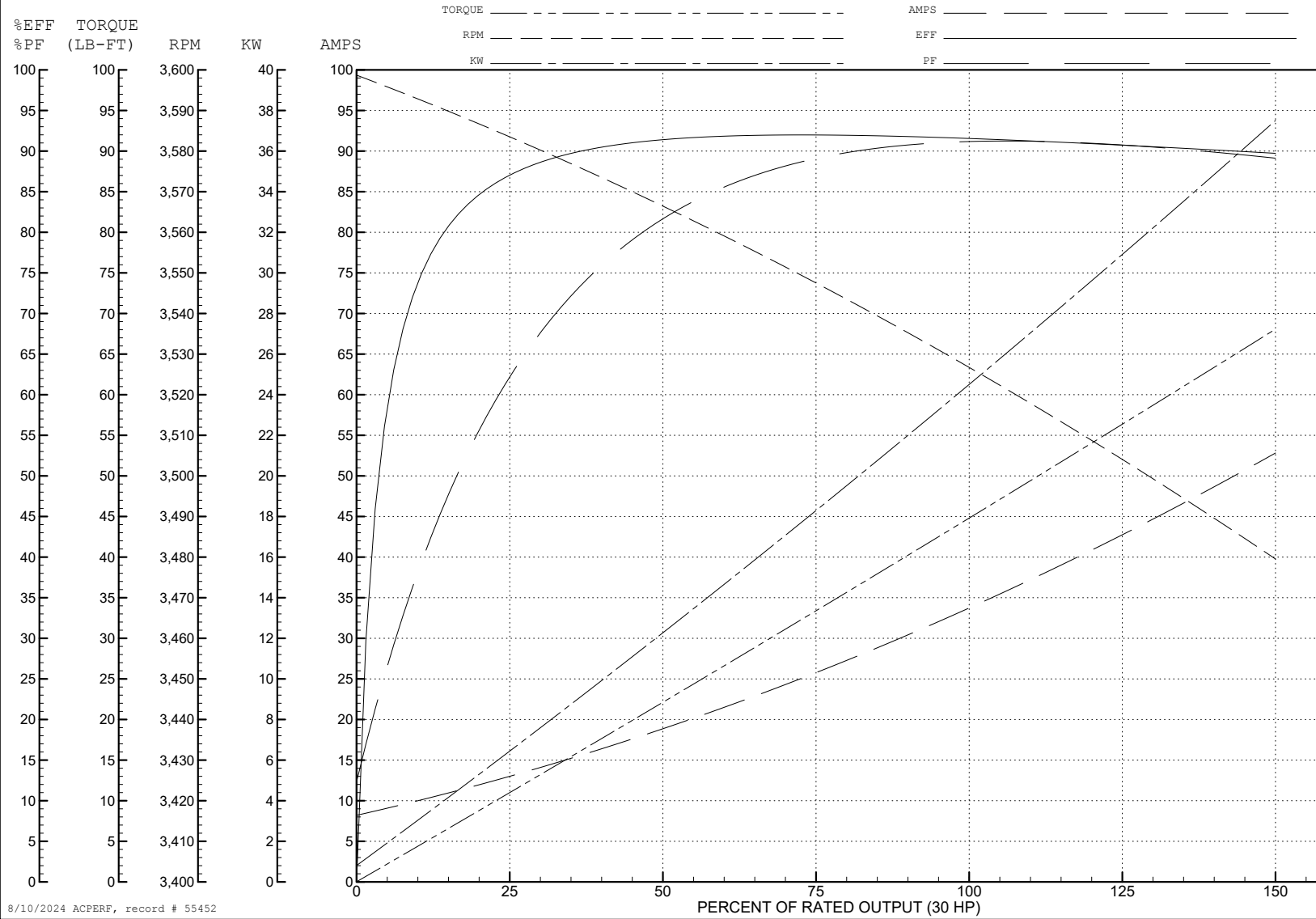
ABB Motors and Mechanical Inc.

WINDING # 10WGZ501

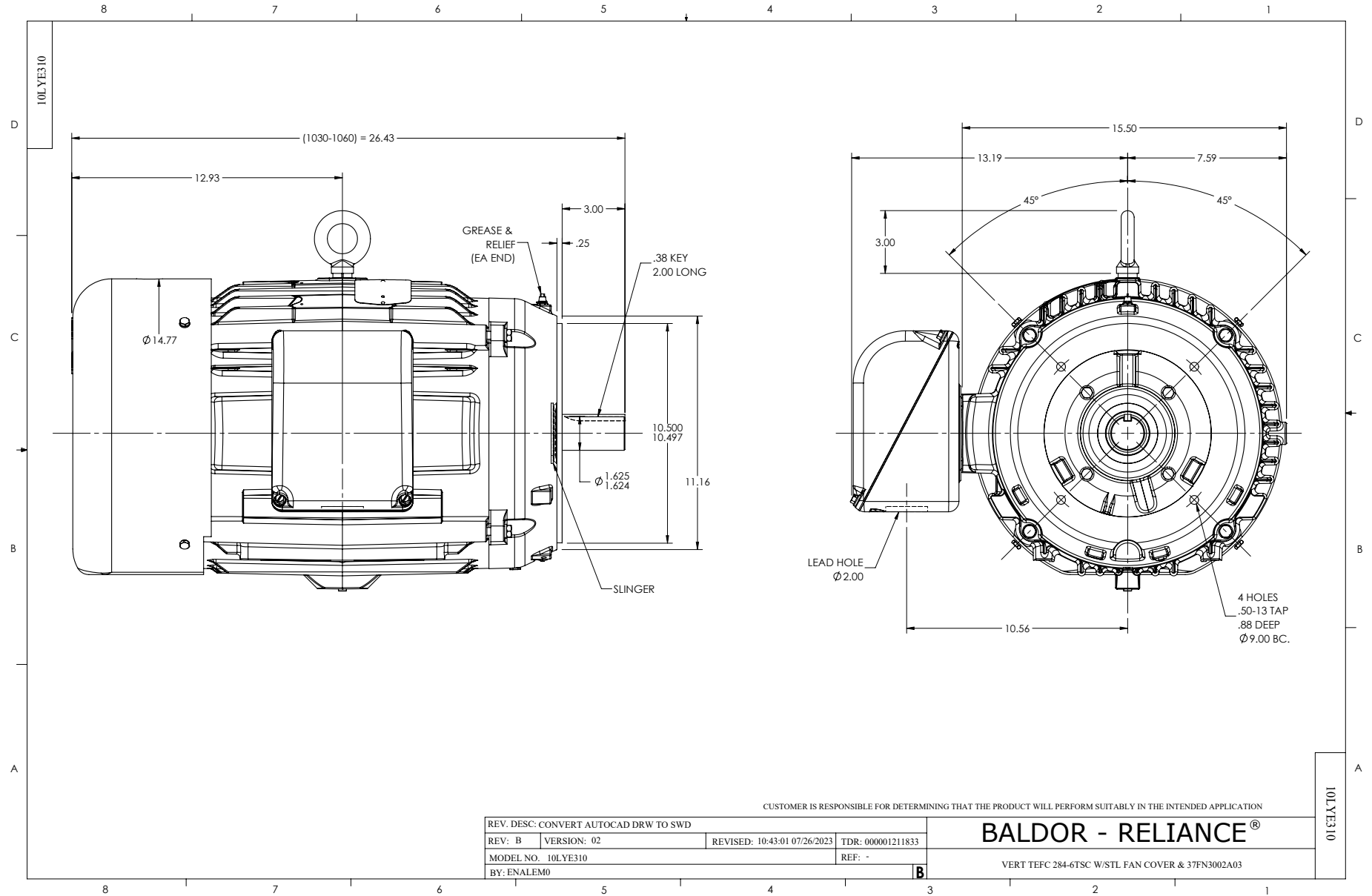
30 HP 3 PH 60 HZ 3520 RPM 460 V 1048M

Typical performance - not guaranteed values.

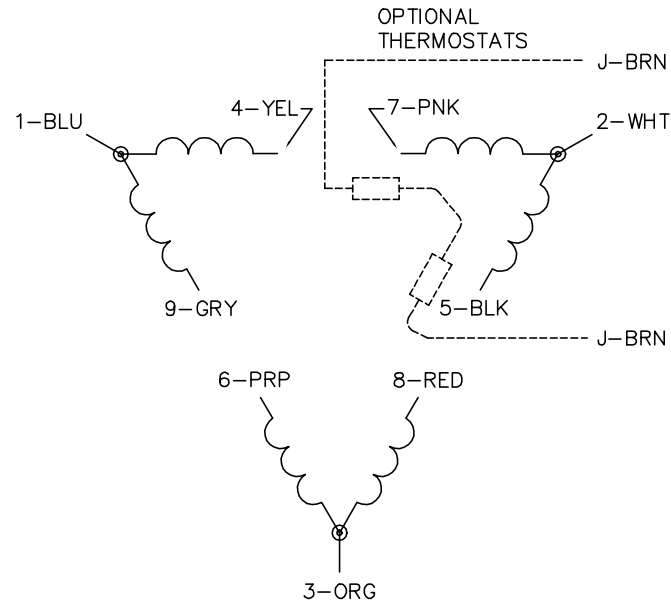
TORQUES (LB-FT): PO=135 PU=47 LR=65.2 LRA=212



8/10/2024 ACPERF, record # 55452



CD0180



LOW VOLTAGE
(2D)



HIGH VOLTAGE
(1D)



NOTES:

1. INTERCHANGE ANY TWO LINE LEADS TO REVERSE ROTATION.
2. OPTIONAL THERMOSTATS ARE PROVIDED WHEN SPECIFIED.
3. ACTUAL NUMBER OF INTERNAL PARALLEL CIRCUITS MAY BE A MULTIPLE OF THOSE SHOWN ABOVE.
4. LEAD COLORS ARE OPTIONAL. LEADS MUST ALWAYS BE NUMBERED AS SHOWN.

CD0180

REV. DESC: ADD CLASS CONN00000007		
REV. LTR: D	VERSION: 01	TDR: 000001099922
FILE: \AAA\00005\148	REVISED: 10: 25: 29 02/19/2019	BY: ENBRIRO
MTL: -	© □	

BALDOR - RELIANCE®

3PH, DV, 9 LEADS, DELTA CONNECTION

SH 1 of 1