



Customer information packet

VXT3256T-5

25HP, 1180RPM, 3PH, 60HZ, 324TC, 1260M, TEFC, F
Class - CLI GP A,B,C,D
Division - Division II

Specifications

Enclosure	TEFC
Frame	324TC
Frame Material	Iron
Frequency	60.00 Hz
Haz Area Class and Group	CLI GP A,B,C,D
Haz Area Division	Division II
Motor Letter Type	Three Phase
Output @ Frequency	25.000 HP @ 60 HZ
Phase	3
Synchronous Speed @ Frequency	1200 RPM @ 60 HZ
Voltage @ Frequency	575.0 V @ 60 HZ
Agency Approvals	UR NEMA_PREMIUM NEMA PREMIUM CSA EEV CCSA US
Ambient Temperature	40 °C
Auxillary Box	No Auxillary Box
Auxillary Box Lead Termination	None
Base Indicator	No Mounting
Bearing Grease Type	Polyrex EM (-20F +300F)
Blower	None
Constant Torque Speed Range	3
Current @ Voltage	25.700 A @ 575.0 V
Design Code	A
Drip Cover	No Drip Cover
Duty Rating	CONT
Efficiency @ 100% Load	93.0 %
Electrically Isolated Bearing	Not Electrically Isolated
Feedback Device	NO FEEDBACK
Haz Area Temp Code	T3
Heater Indicator	No Heater

Part detail

Revision	B
Type	AC
Mech. spec.	
Base	
Status	PRD/A
Elec. spec.	12WGY448
Layout	12LY-000-020
Eff. date	11-27-2024
CD Diagram	CD0006
Poles	06
Leads	3#8
Proprietary	False
Created date	06-07-2021

High Voltage Full Load Amps	25.7 a
Insulation Class	F
Inverter Code	Inverter Duty
IP Rating	NONE
KVA Code	H
Lifting Lugs	Standard Lifting Lugs
Locked Bearing Indicator	Locked Bearing
Motor Lead Termination	Flying Leads
Motor Standards	NEMA
Motor Type	1260M
Mounting Arrangement	F1
Number of Poles	6
Overall Length	30.28 IN
Power Factor	79
Product Family	General Purpose
Pulley Face Code	Standard
Rodent Screen	None
Service Factor	1.15
Shaft Diameter	2.125 IN
Shaft Ground Indicator	No Shaft Grounding
Shaft Rotation	Reversible
Speed	1180 rpm
Speed Code	Single Speed
Starting Method	Direct on line
Thermal Device - Bearing	None
Thermal Device - Winding	None
Vibration Sensor Indicator	No Vibration Sensor
Winding Thermal 1	None
Winding Thermal 2	None

Nameplate

NP4224L									
CAT.NO.	VXT3256T-5				I.P.	54			
SPEC.	12-0000-2203				ENCL	TEFC			
FRAME	324TC	H.P.	25		T. CODE	T3			
VOLTS	575		P.F.	79					
F.L. AMPS	25.7		RATING	40C AMB-CONT					
R.P.M.	1180								
HZ.	60	PH.	3	CLASS	F				
SER.F.	1.15	DES.	A	SL HZ	1				
NEMA NOM. EFF.	93	WK2	11.5						
DE	6312	ODE	6311						
MAG. CUR.	11.4								
INV TYPE	PWM	CHP	60	TO	90	INV TEMP CODE	T3		
CT	3	TO	60	VT	3	TO	60		
CC	010A	SN							

AC Induction Motor Performance Data

Record # 47256

Typical performance - not guaranteed values

Winding: 12WGY448-R002		Type: 1260M		Enclosure: TEFC	
Nameplate Data			575 V, 60 Hz: Single Voltage Motor		
Rated Output (HP)	25	Full Load Torque	111 LB-FT		
Volts	575	Start Configuration	direct on line		
Full Load Amps	25.7	Breakdown Torque	314 LB-FT		
R.P.M.	1180	Pull-up Torque	119 LB-FT		
Hz	60	Phase	3	Locked-rotor Torque	174 LB-FT
NEMA Design Code	A	KVA Code	H	Starting Current	162 A
Service Factor (S.F.)	1.15	No-load Current	11.3 A		
NEMA Nom. Eff.	93	Power Factor	79	Line-line Res. @ 25°C	0.43 Ω
Rating - Duty	40C AMB-CONT		Temp. Rise @ Rated Load	46°C	
S.F. Amps			Temp. Rise @ S.F. Load	56°C	
			Rotor inertia	11.5 LB-FT ²	

Load Characteristics 575 V, 60 Hz, 25 HP

% of Rated Load	25	50	75	100	125	150	S.F.
Power Factor	42	64	74	79	81	81	80
Efficiency	87.2	91.9	92.9	93	92.5	91.2	92.6
Speed	1196	1192	1188	1184	1180	1173	1182
Line amperes	12.8	16	20.5	25.7	31.4	39.3	29.1

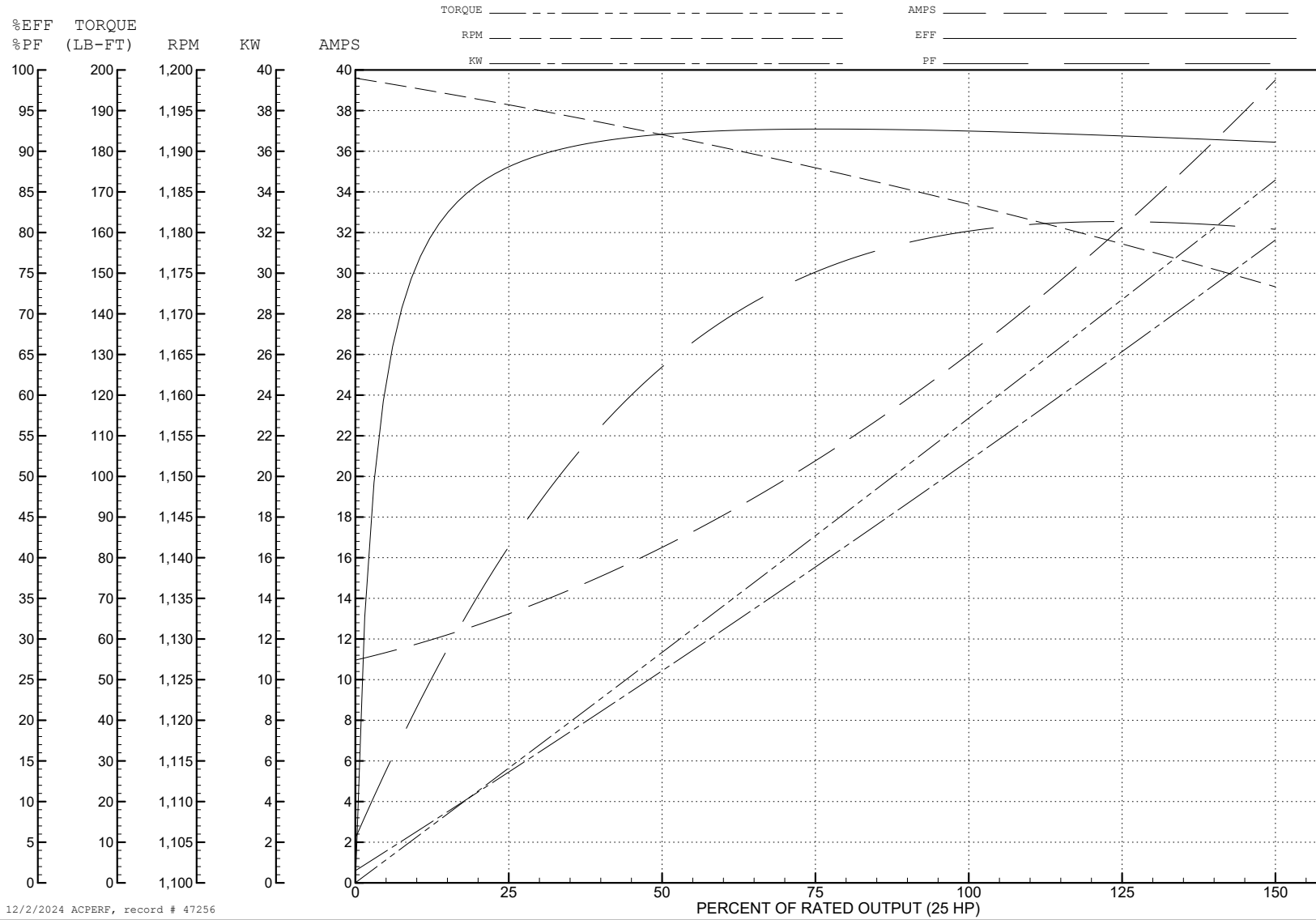
ABB Motors and Mechanical Inc.

WINDING # 12WGY448

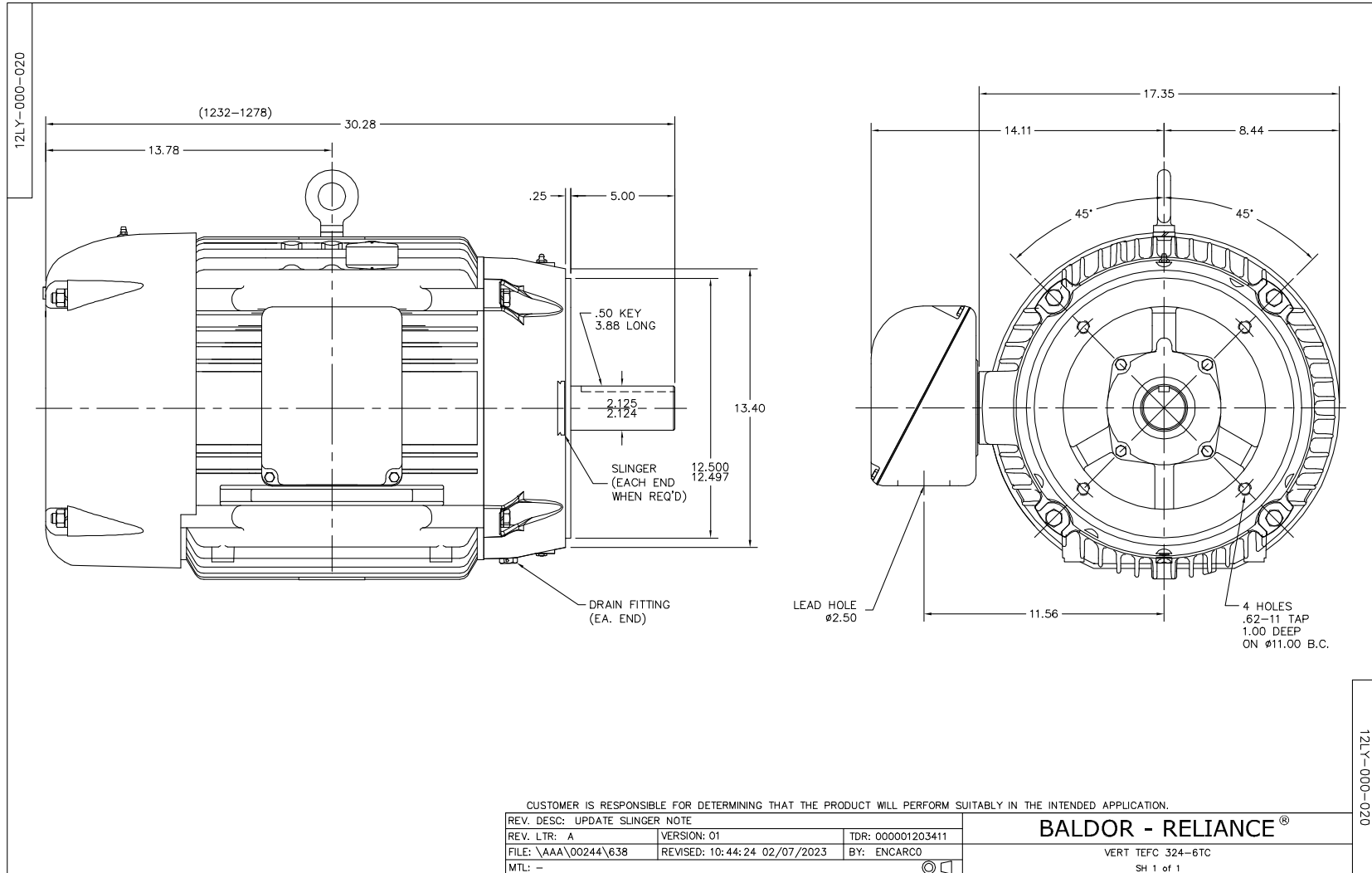
25 HP 3 PH 60 HZ 1180 RPM 575 V 1260M

Typical performance - not guaranteed values.

TORQUES (LB-FT): PO=314 PU=119 LR=174 LRA=162



12/2/2024 ACPERF, record # 47256



CD0006



NOTES:

1. THREE LEAD MOTOR MAY BE EITHER WYE CONNECTED OR DELTA CONNECTED.
2. INTERCHANGE ANY TWO LINE LEADS TO REVERSE ROTATION.
3. OPTIONAL THERMOSTATS ARE PROVIDED WHEN SPECIFIED.
4. ACTUAL NUMBER OF INTERNAL PARALLEL CIRCUITS MAY VARY.
5. LEAD COLORS ARE OPTIONAL. LEADS MUST BE NUMBERED AS SHOWN.

CD0006

REV. DESC: ADD CLASS CONN00000007		
REV. LTR: E	VERSION: 01	TDR: 000001099922
FILE: \AAA\00005\141	REVISED: 10:24:49 02/19/2019	BY: ENBRIRO
MTL: -	© □	

BALDOR - RELIANCE®

3PH, SV, 3 LEADS, WYE OR DELTA CONNECTED

SH 1 of 1