



Customer information packet

VXT3202T-5

20HP, 3520RPM, 3PH, 60HZ, 256TC, TEFC, F1

Class - CLI GP A,B,C,D

Division - Division II

Specifications

Enclosure	TEFC
Frame	256TC
Frame Material	Iron
Frequency	60.00 Hz
Haz Area Class and Group	CLI GP A,B,C,D
Haz Area Division	Division II
Motor Letter Type	Three Phase
Output @ Frequency	20.000 HP @ 60 HZ
Phase	3
Synchronous Speed @ Frequency	3600 RPM @ 60 HZ
Voltage @ Frequency	575.0 V @ 60 HZ
Agency Approvals	UR NEMA_PREMIUM NEMA PREMIUM CSA EEV CCSA US
Ambient Temperature	40 °C
Auxillary Box	No Auxillary Box
Auxillary Box Lead Termination	None
Base Indicator	No Mounting
Bearing Grease Type	Polyrex EM (-20F +300F)
Blower	None
Constant Torque Speed Range	6
Current @ Voltage	18.000 A @ 575.0 V
Design Code	A
Drip Cover	No Drip Cover
Duty Rating	CONT
Efficiency @ 100% Load	91.0 %
Electrically Isolated Bearing	Not Electrically Isolated
Feedback Device	NO FEEDBACK
Haz Area Temp Code	T3
Heater Indicator	No Heater

Part detail

Revision	D
Type	AC
Mech. spec.	
Base	
Status	PRD/A
Elec. spec.	09WVGZ699
Layout	09LY-001-011
Eff. date	02-01-2024
CD Diagram	CD0006
Poles	02
Leads	3#12
Proprietary	False
Created date	06-02-2021

High Voltage Full Load Amps	18.0 a
Insulation Class	F
Inverter Code	Inverter Duty
IP Rating	NONE
KVA Code	H
Lifting Lugs	Standard Lifting Lugs
Locked Bearing Indicator	Locked Bearing
Motor Lead Termination	Flying Leads
Motor Standards	NEMA
Motor Type	0936M
Mounting Arrangement	F1
Number of Poles	2
Overall Length	23.86 IN
Power Factor	88
Product Family	General Purpose
Pulley Face Code	C-Face
Rodent Screen	None
Service Factor	1.15
Shaft Diameter	1.625 IN
Shaft Ground Indicator	No Shaft Grounding
Shaft Rotation	Reversible
Speed	3520 rpm
Speed Code	Single Speed
Starting Method	Direct on line
Thermal Device - Bearing	None
Thermal Device - Winding	None
Vibration Sensor Indicator	No Vibration Sensor
Winding Thermal 1	None
Winding Thermal 2	None

Nameplate

NP4224L									
CAT.NO.	VXT3202T-5				I.P.	54			
SPEC.	09-0000-3211				ENCL	TEFC			
FRAME	256TC	H.P.	20		T. CODE	T3			
VOLTS	575		P.F.	88					
F.L. AMPS	18		RATING	40C AMB-CONT					
R.P.M.	3520		USABLE AT 208V	N/A					
HZ.	60	PH.	3	CLASS	F				
SER.F.	1.15	DES.	A	SL HZ	1.3				
NEMA NOM. EFF.	91	WK2	0.92						
DE	6309	ODE	6208						
MAG. CUR.	5.7								
INV TYPE	PWM	CHP	60	TO	90	INV TEMP CODE	T3		
CT	6	TO	60	VT	6	TO	60		
CC	010A	SN							

AC Induction Motor Performance Data

Record # 88533

Typical performance - not guaranteed values

Winding: 09WGZ699-R001		Type: 0936M	Enclosure: TEFC		
Nameplate Data			575 V, 60 Hz: Single Voltage Motor		
Rated Output (HP)	20	Full Load Torque	29.8 LB-FT		
Volts	575	Start Configuration	direct on line		
Full Load Amps	18	Breakdown Torque	91.1 LB-FT		
R.P.M.	3520	Pull-up Torque	31.67 LB-FT		
Hz	60	Phase	3	Locked-rotor Torque	39 LB-FT
NEMA Design Code	A	KVA Code	H	Starting Current	111 A
Service Factor (S.F.)	1.15	No-load Current	6.21 A		
NEMA Nom. Eff.	91	Power Factor	88	Line-line Res. @ 25°C	0.74 Ω
Rating - Duty	40C AMB-CONT		Temp. Rise @ Rated Load	50°C	
S.F. Amps			Temp. Rise @ S.F. Load	61°C	
			Locked-rotor Power Factor	29.7	
			Rotor inertia	0.92 lb-ft ²	

Load Characteristics 575 V, 60 Hz, 20 HP

% of Rated Load	25	50	75	100	125	150	S.F.
Power Factor	56	78	86	89	90	91	90
Efficiency	88.2	91.7	92.3	92.1	91.5	90.5	91.7
Speed	3583	3567	3550	3532	3513	3491	3521
Line amperes	7.6	10.6	14.2	18.3	22.7	27.4	20.9

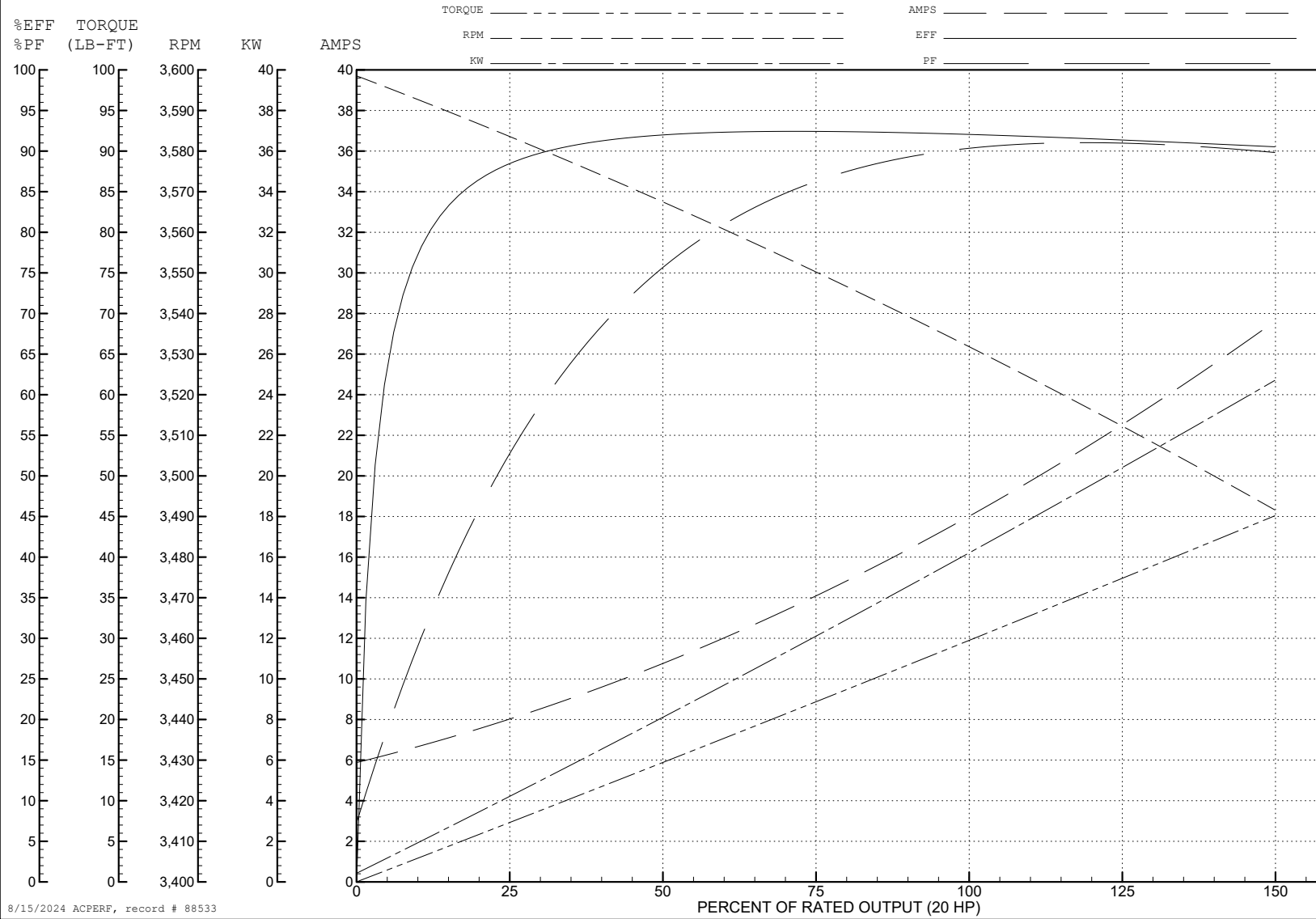
ABB Motors and Mechanical Inc.

WINDING # 09WGZ699

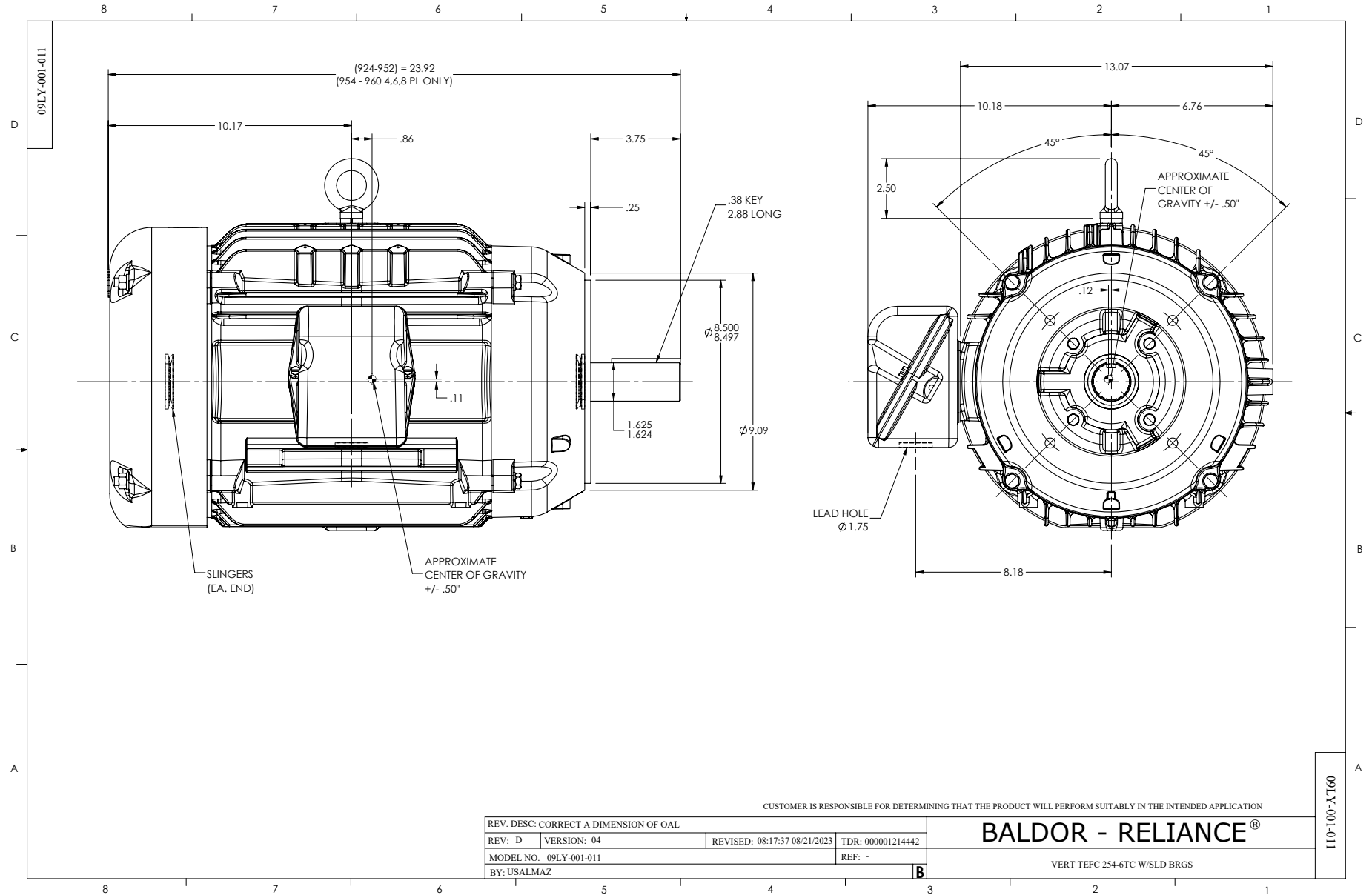
Typical performance - not guaranteed values.

20 HP 3 PH 60 HZ 3520 RPM 575 V 0936M

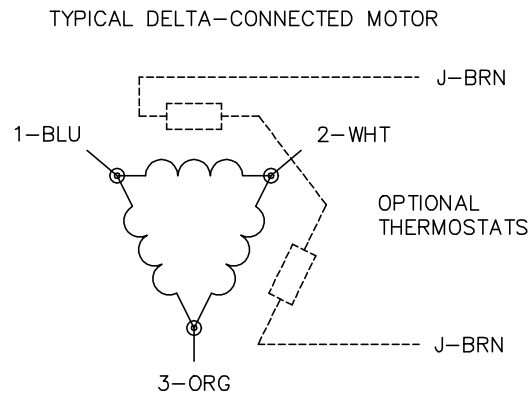
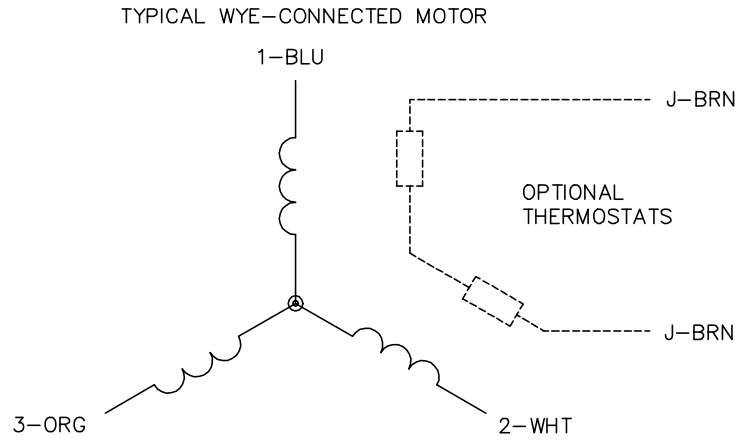
TORQUES (LB-FT): PO=91.1 PU=31.67 LR=39 LRA=111



8/15/2024 ACPERF, record # 88533



CD0006



NOTES:

1. THREE LEAD MOTOR MAY BE EITHER WYE CONNECTED OR DELTA CONNECTED.
2. INTERCHANGE ANY TWO LINE LEADS TO REVERSE ROTATION.
3. OPTIONAL THERMOSTATS ARE PROVIDED WHEN SPECIFIED.
4. ACTUAL NUMBER OF INTERNAL PARALLEL CIRCUITS MAY VARY.
5. LEAD COLORS ARE OPTIONAL. LEADS MUST BE NUMBERED AS SHOWN.

CD0006

REV. DESC: ADD CLASS CONN00000007		
REV. LTR: E	VERSION: 01	TDR: 000001099922
FILE: \AAA\00005\141	REVISED: 10:24:49 02/19/2019	BY: ENBRIRO
MTL: -	© □	

BALDOR - RELIANCE®

3PH, SV, 3 LEADS, WYE OR DELTA CONNECTED

SH 1 of 1