



Customer information packet

VXT3156T

15HP, 1175RPM, 3PH, 60HZ, 284TC, 1046M, TEFC, F

Class - CLI GP A,B,C,D

Division - Division II

Specifications

Enclosure	TEFC
Frame	284TC
Frame Material	Iron
Frequency	60.00 Hz
Motor Letter Type	Three Phase
Output @ Frequency	15.000 HP @ 60 HZ
Phase	3
Synchronous Speed @ Frequency	1200 RPM @ 60 HZ
Voltage @ Frequency	230.0 V @ 60 HZ 460.0 V @ 60 HZ
XP Class and Group	CLIP A,B,C,D
XP Division	Division II
Agency Approvals	CCSA US UR NEMA PREMIUM CSA EEV
Ambient Temperature	40 °C
Auxillary Box	No Auxillary Box
Auxillary Box Lead Termination	None
Base Indicator	No Mounting
Bearing Grease Type	Polyrex EM (-20F +300F)
Blower	None
Constant Torque Speed Range	3
Current @ Voltage	21.000 A @ 460.0 V 42.000 A @ 208.0 V 42.000 A @ 230.0 V
Design Code	A
Drip Cover	No Drip Cover
Duty Rating	CONT
Efficiency @ 100% Load	91.7 %
Electrically Isolated Bearing	Not Electrically Isolated
Feedback Device	NO FEEDBACK

Part detail

Revision	C
Type	AC
Mech. spec.	
Base	
Status	PRD/A
Elec. spec.	10WGY561
Layout	10LYC153
Eff. date	06-25-2021
CD Diagram	CD0180
Poles	06
Leads	9#10
Proprietary	False
Created date	12-03-2020

Heater Indicator	No Heater
High Voltage Full Load Amps	21.0 a
Insulation Class	F
Inverter Code	Inverter Duty
IP Rating	NONE
KVA Code	H
Lifting Lugs	Standard Lifting Lugs
Locked Bearing Indicator	Locked Bearing
Motor Lead Termination	Flying Leads
Motor Standards	NEMA
Motor Type	1046M
Mounting Arrangement	F1
Number of Poles	6
Overall Length	27.76 IN
Power Factor	73
Product Family	General Purpose
Pulley Face Code	C-Face
Rodent Screen	None
Service Factor	1.15
Shaft Diameter	1.875 IN
Shaft Ground Indicator	No Shaft Grounding
Shaft Rotation	Reversible
Speed	1175 rpm
Speed Code	Single Speed
Starting Method	Direct on line
Thermal Device - Bearing	None
Thermal Device - Winding	None
Vibration Sensor Indicator	No Vibration Sensor
Winding Thermal 1	None
Winding Thermal 2	None
XP Temp Code	T3C

Nameplate

NP4163L										
CAT.NO.	VXT3156T					I.P.	54			
SPEC.	10-0000-1859					ENCL	TEFC			
FRAME	284TC		H.P.	15						
VOLTS	230/460		P.F.	73						
F.L. AMPS	42/21		RATING	40C AMB-CONT						
R.P.M.	1175		USABLE AT 208V			42				
HZ.	60		PH.	3		CLASS	F			
SER.F.	1.15		DES.	A		SL HZ	1.3			
NEMA NOM. EFF.	91.7		WK2	4.9						
DE	6311		ODE	6309						
MAG. CUR.	22/11									
INV TYPE	PWM	CHP	60	TO	90	T. CODE	T3A			
CT	3	TO	60	VT	3	TO	60			
CC	010A		SN							
USABLE AT 50 HZ 10HP 190/380V										
36.4/18.2A										

AC Induction Motor Performance Data

Record # 29743

Typical performance - not guaranteed values

Winding: 10WGY561-R001		Type: 1046M		Enclosure: TEFC	
Nameplate Data			460 V, 60 Hz: High Voltage Connection		
Rated Output (HP)	15	Full Load Torque	66.5 LB-FT		
Volts	230/460	Start Configuration	direct on line		
Full Load Amps	42/21	Breakdown Torque	195 LB-FT		
R.P.M.	1175	Pull-up Torque	91.4 LB-FT		
Hz	60 Phase	3	Locked-rotor Torque	115 LB-FT	
NEMA Design Code	A KVA Code	H	Starting Current	125 A	
Service Factor (S.F.)		1.15	No-load Current	11.3 A	
NEMA Nom. Eff.	91.7 Power Factor	73	Line-line Res. @ 25°C	0.56099 Ω	
Rating - Duty	40C AMB-CONT		Temp. Rise @ Rated Load	49°C	
S.F. Amps			Temp. Rise @ S.F. Load	59°C	
			Locked-rotor Power Factor	33	
			Rotor inertia	5.63 LB-FT ²	

Load Characteristics 460 V, 60 Hz, 15 HP

% of Rated Load	25	50	75	100	125	150	S.F.
Power Factor	34	54	66	73	76	77	75
Efficiency	85	90.6	91.8	92	91.5	91.3	91.7
Speed	1197	1193	1188.7	1183.9	1179	1177.5	1181
Line amperes	12.2	14.3	17.3	20.8	25.1	26.1	23.4

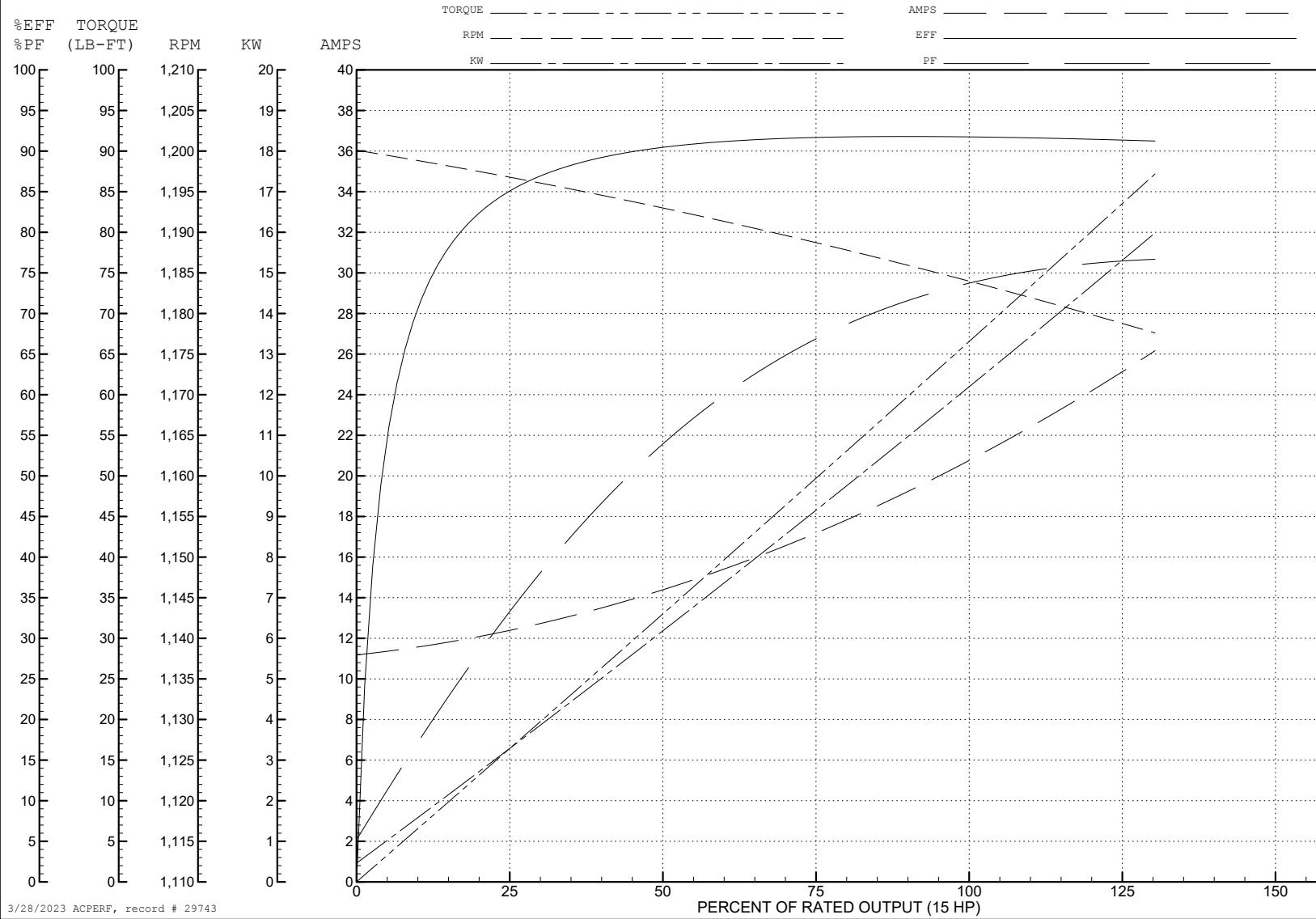
ABB Motors and Mechanical Inc.

WINDING # 10WGY561

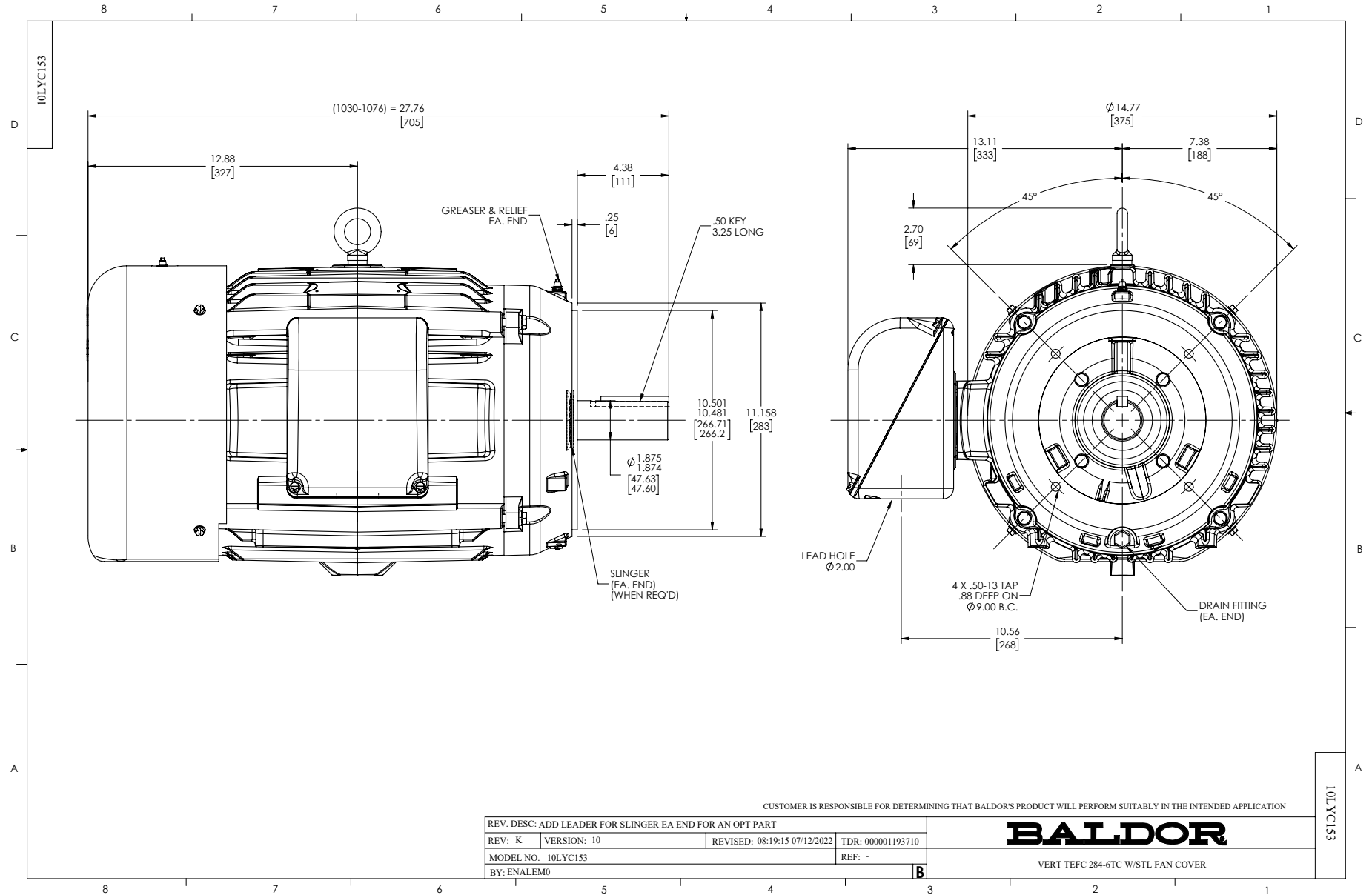
Typical performance - not guaranteed values.

15 HP 3 PH 60 HZ 1175 RPM 460 V 1046M

TORQUES (LB-FT): PO=195 PU=91.4 LR=115 LRA=125



3/28/2023 ACPERF, record # 29743



CD0180



LOW VOLTAGE
(2D)



HIGH VOLTAGE
(1D)



NOTES:

1. INTERCHANGE ANY TWO LINE LEADS TO REVERSE ROTATION.
2. OPTIONAL THERMOSTATS ARE PROVIDED WHEN SPECIFIED.
3. ACTUAL NUMBER OF INTERNAL PARALLEL CIRCUITS MAY BE A MULTIPLE OF THOSE SHOWN ABOVE.
4. LEAD COLORS ARE OPTIONAL. LEADS MUST ALWAYS BE NUMBERED AS SHOWN.

CD0180

REV. DESC: ADD CLASS CONN00000007		
REV. LTR: D	VERSION: 01	TDR: 000001099922
FILE: \AAA\00005\148	REVISED: 10: 25: 29 02/19/2019	BY: ENBRIRO
MTL: -	© □	

BALDOR - RELIANCE®

3PH, DV, 9 LEADS, DELTA CONNECTION

SH 1 of 1