



Customer information packet

VXT3074T-5

7.5HP, 1760RPM, 3PH, 60HZ, 213TC, 0748M, TEFC

Class - CLI GP A,B,C,D

Division - Division II

Specifications

Enclosure	TEFC
Frame	213TC
Frame Material	Iron
Frequency	60.00 Hz
Haz Area Class and Group	CLI GP A,B,C,D
Haz Area Division	Division II
Motor Letter Type	Three Phase
Output @ Frequency	7.500 HP @ 60 HZ
Phase	3
Synchronous Speed @ Frequency	1800 RPM @ 60 HZ
Voltage @ Frequency	575.0 V @ 60 HZ
Agency Approvals	UR NEMA_PREMIUM NEMA PREMIUM CSA EEV CCSA US
Ambient Temperature	40 °C
Auxillary Box	No Auxillary Box
Auxillary Box Lead Termination	None
Base Indicator	No Mounting
Bearing Grease Type	Polyrex EM (-20F +300F)
Blower	None
Constant Torque Speed Range	3
Current @ Voltage	7.400 A @ 575.0 V
Design Code	A
Drip Cover	No Drip Cover
Duty Rating	CONT
Efficiency @ 100% Load	91.7 %
Electrically Isolated Bearing	Not Electrically Isolated
Feedback Device	NO FEEDBACK
Haz Area Temp Code	T3C
Heater Indicator	No Heater

Part detail

Revision	A
Type	AC
Mech. spec.	
Base	
Status	PRD/A
Elec. spec.	07WGR900
Layout	07LYL289
Eff. date	09-19-2022
CD Diagram	CD0006
Poles	04
Leads	3#14
Proprietary	False
Created date	06-02-2021

High Voltage Full Load Amps	7.4 a
Insulation Class	F
Inverter Code	Inverter Duty
IP Rating	NONE
KVA Code	K
Lifting Lugs	Standard Lifting Lugs
Locked Bearing Indicator	Locked Bearing
Motor Lead Termination	Flying Leads
Motor Standards	NEMA
Motor Type	0748M
Mounting Arrangement	F1
Number of Poles	4
Overall Length	19.20 IN
Power Factor	85
Product Family	General Purpose
Pulley Face Code	C-Face
Rodent Screen	None
Service Factor	1.15
Shaft Diameter	1.375 IN
Shaft Ground Indicator	No Shaft Grounding
Shaft Rotation	Reversible
Speed	1760 rpm
Speed Code	Single Speed
Starting Method	Direct on line
Thermal Device - Bearing	None
Thermal Device - Winding	None
Vibration Sensor Indicator	No Vibration Sensor
Winding Thermal 1	None
Winding Thermal 2	None

Nameplate

NP4224L									
CAT.NO.	VXT3074T-5				I.P.	54			
SPEC.	07-0000-1065				ENCL	TEFC			
FRAME	213TC	H.P.	7.5		T. CODE	T3C			
VOLTS	575		P.F.	85					
F.L. AMPS	7.4		RATING	40C AMB-CONT					
R.P.M.	1760		USABLE AT 208V	N/A					
HZ.	60	PH.	3	CLASS	F				
SER.F.	1.15	DES.	A	SL HZ	1.3				
NEMA NOM. EFF.	91.7		WK2	1.18					
DE	6307		ODE	6206					
MAG. CUR.	3.2								
INV TYPE	PWM	CHP	60	TO	90	INV TEMP CODE	T3C		
CT	3	TO	60	VT	3	TO	60		
CC	010A	SN							
	SFA 8.9								

AC Induction Motor Performance Data

Record # 88602

Typical performance - not guaranteed values

Winding: 07WGR900-R001		Type: 0748M		Enclosure: TEFC			
Nameplate Data			575 V, 60 Hz: Single Voltage Motor				
Rated Output (HP)	7.5	Full Load Torque	22.2079 LB-FT				
Volts	575	Start Configuration	direct on line				
Full Load Amps	7.4	Breakdown Torque	79.0744 LB-FT				
R.P.M.	1760	Pull-up Torque	32.25 LB-FT				
Hz	60 Phase	3	Locked-rotor Torque	42.7086 LB-FT			
NEMA Design Code	A	KVA Code	K	Starting Current	47.9434 A		
Service Factor (S.F.)	1.25		No-load Current	3.5002 A			
NEMA Nom. Eff.	91.7	Power Factor	85	Line-line Res. @ 25°C	2.03 Ω		
Rating - Duty	40C AMB-CONT		Temp. Rise @ Rated Load	25°C			
S.F. Amps	8.9		Temp. Rise @ S.F. Load	33°C			
			Locked-rotor Power Factor	38.184			
			Rotor inertia	1.18 lb-ft ²			

Load Characteristics 575 V, 60 Hz, 7.5 HP

% of Rated Load	25	50	75	100	125	150	S.F.
Power Factor	42.346	65.1467	76.9855	82.9232	86.0707	87.6743	86
Efficiency	85.8706	90.6778	91.8518	91.9941	91.6851	91.1125	91.7
Speed	1793.799	1787.859	1781.649	1775.259	1768.419	1761.129	1768
Line amperes	3.8767	4.7686	5.9848	7.3694	8.9069	10.5552	8.91

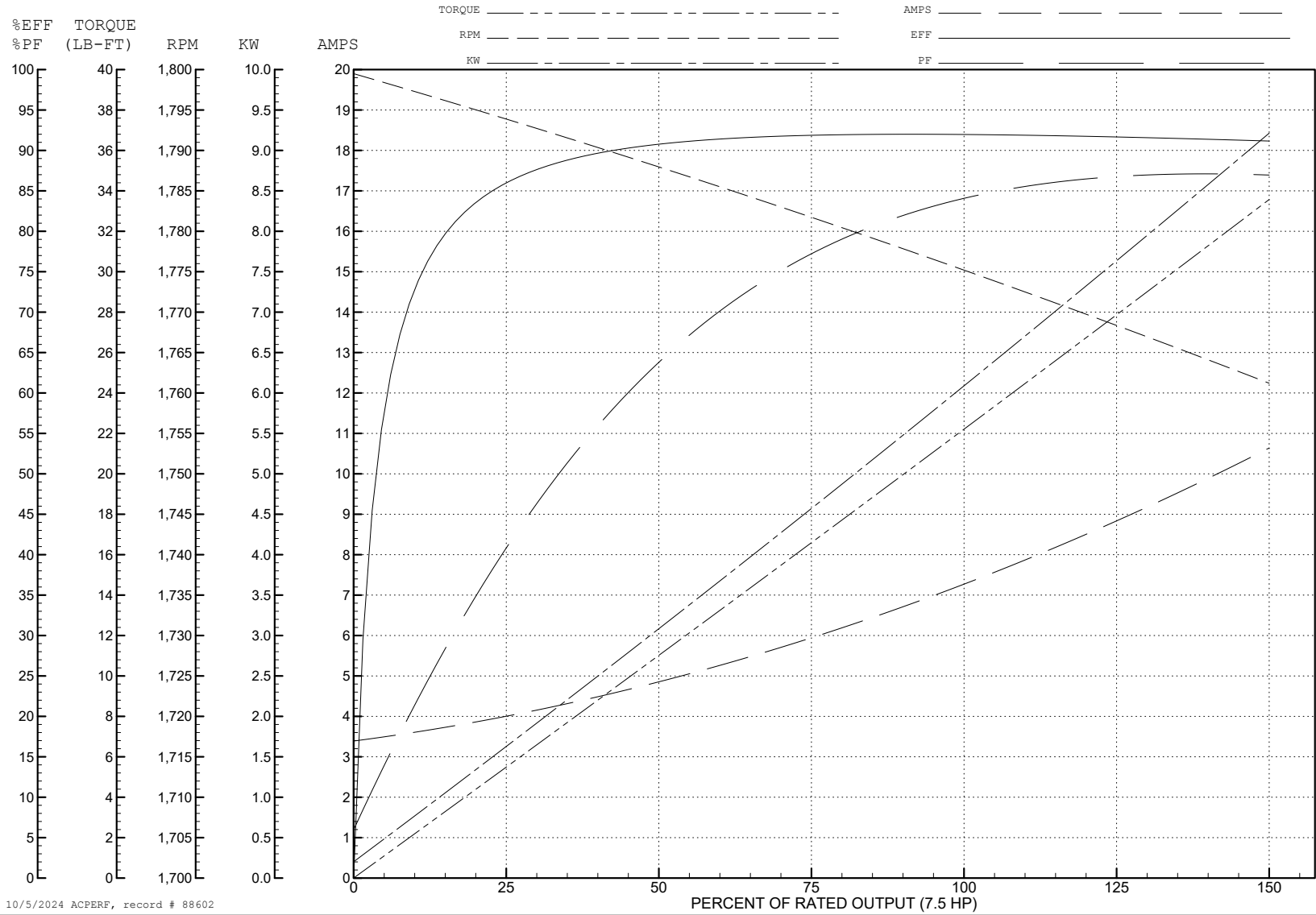
ABB Motors and Mechanical Inc.

WINDING # 07WGR900

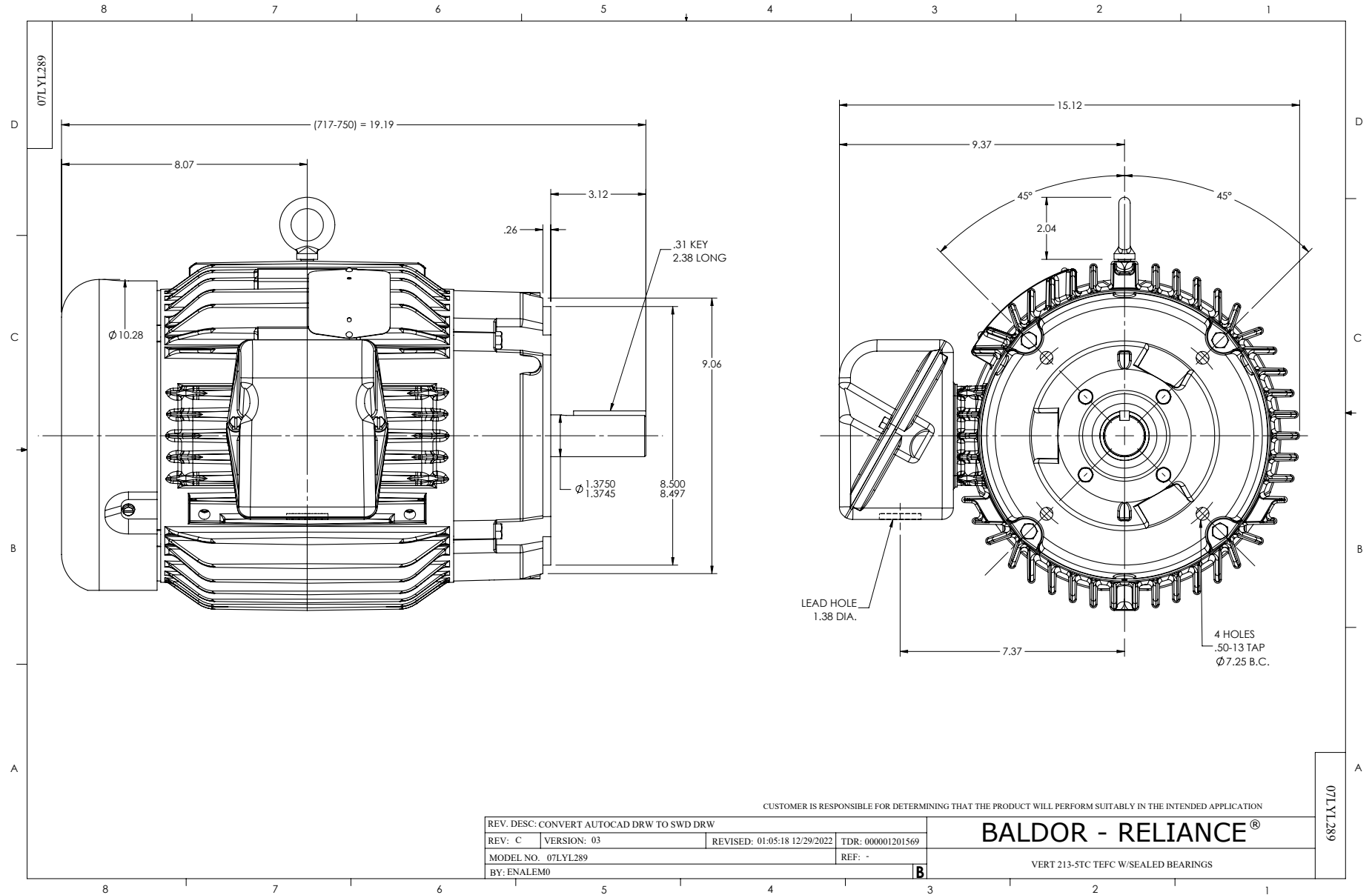
Typical performance - not guaranteed values.

7.5 HP 3 PH 60 HZ 1760 RPM 575 V 0748M

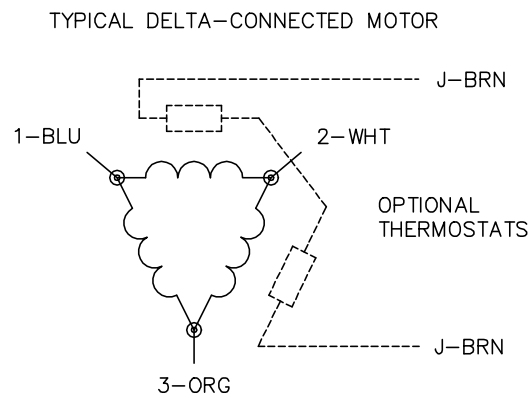
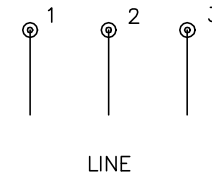
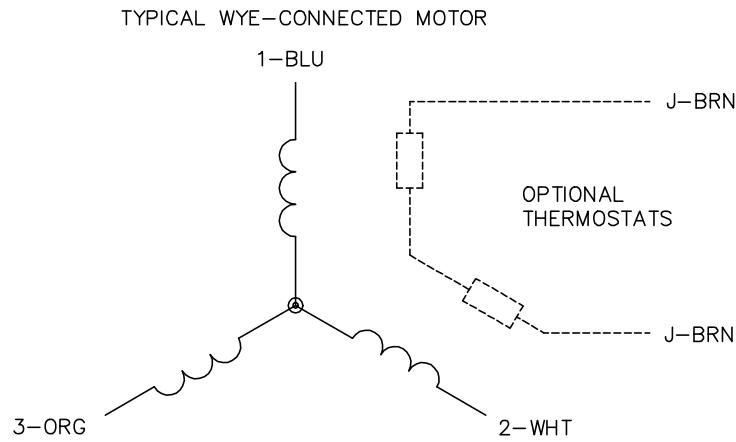
TORQUES (LB-FT): PO=79.0744 PU=32.25 LR=42.7086 LRA=47.9434



10/5/2024 ACPERF, record # 88602



CD0006



NOTES:

1. THREE LEAD MOTOR MAY BE EITHER WYE CONNECTED OR DELTA CONNECTED.
2. INTERCHANGE ANY TWO LINE LEADS TO REVERSE ROTATION.
3. OPTIONAL THERMOSTATS ARE PROVIDED WHEN SPECIFIED.
4. ACTUAL NUMBER OF INTERNAL PARALLEL CIRCUITS MAY VARY.
5. LEAD COLORS ARE OPTIONAL. LEADS MUST BE NUMBERED AS SHOWN.

CD0006

REV. DESC: ADD CLASS CONN00000007		
REV. LTR: E	VERSION: 01	TDR: 000001099922
FILE: \AAA\00005\141	REVISED: 10:24:49 02/19/2019	BY: ENBRIRO
MTL: -	© □	

BALDOR - RELIANCE®

3PH, SV, 3 LEADS, WYE OR DELTA CONNECTED

SH 1 of 1