



Customer information packet

VXT3072T-5

7.5HP, 3510RPM, 3PH, 60HZ, 213TC, 0726M, TEFC

Class - CLI GP A,B,C,D

Division - Division II

Specifications

Enclosure	TEFC
Frame	213TC
Frame Material	Iron
Frequency	60.00 Hz
Haz Area Class and Group	CLI GP A,B,C,D
Haz Area Division	Division II
Motor Letter Type	Three Phase
Output @ Frequency	7.500 HP @ 60 HZ
Phase	3
Synchronous Speed @ Frequency	3600 RPM @ 60 HZ
Voltage @ Frequency	575.0 V @ 60 HZ
Agency Approvals	UR NEMA_PREMIUM NEMA PREMIUM CSA EEV CCSA US
Ambient Temperature	40 °C
Auxillary Box	No Auxillary Box
Auxillary Box Lead Termination	None
Base Indicator	No Mounting
Bearing Grease Type	Polyrex EM (-20F +300F)
Blower	None
Constant Torque Speed Range	6
Current @ Voltage	7.200 A @ 575.0 V
Design Code	B
Drip Cover	No Drip Cover
Duty Rating	CONT
Efficiency @ 100% Load	89.5 %
Electrically Isolated Bearing	Not Electrically Isolated
Feedback Device	NO FEEDBACK
Haz Area Temp Code	T3C
Heater Indicator	No Heater

Part detail

Revision	A
Type	AC
Mech. spec.	
Base	
Status	PRD/A
Elec. spec.	07WGR535
Layout	07LYL289
Eff. date	09-19-2022
CD Diagram	CD0006
Poles	02
Leads	3#14
Proprietary	False
Created date	05-27-2021

High Voltage Full Load Amps	7.2 a
Insulation Class	F
Inverter Code	Inverter Duty
IP Rating	NONE
KVA Code	H
Lifting Lugs	Standard Lifting Lugs
Locked Bearing Indicator	Locked Bearing
Motor Lead Termination	Flying Leads
Motor Standards	NEMA
Motor Type	0726M
Mounting Arrangement	F1
Number of Poles	2
Overall Length	19.20 IN
Power Factor	86
Product Family	General Purpose
Pulley Face Code	C-Face
Rodent Screen	None
Service Factor	1.00
Shaft Diameter	1.375 IN
Shaft Ground Indicator	No Shaft Grounding
Shaft Rotation	Reversible
Speed	3510 rpm
Speed Code	Single Speed
Starting Method	Direct on line
Thermal Device - Bearing	None
Thermal Device - Winding	None
Vibration Sensor Indicator	No Vibration Sensor
Winding Thermal 1	None
Winding Thermal 2	None

Nameplate

NP4224L									
CAT.NO.	VXT3072T-5				I.P.	54			
SPEC.	07-0000-1056				ENCL	TEFC			
FRAME	213TC	H.P.	7.5		T. CODE	T3C			
VOLTS	575		P.F.	86					
F.L. AMPS	7.2		RATING	40C AMB-CONT					
R.P.M.	3510		USABLE AT 208V	N/A					
HZ.	60	PH.	3	CLASS	F				
SER.F.	1.00		DES.	B	SL HZ	1.5			
NEMA NOM. EFF.	89.5		WK2	0.25					
DE	6307		ODE	6206					
MAG. CUR.	2.9								
INV TYPE	PWM	CHP	60	TO	90	INV TEMP CODE	T3C		
CT	6	TO	60	VT	6	TO	60		
CC	010A	SN							

AC Induction Motor Performance Data

Record # 77544

Typical performance - not guaranteed values

Winding: 07WGR535-R001		Type: 0726M		Enclosure: TEFC	
Nameplate Data			575 V, 60 Hz: Single Voltage Motor		
Rated Output (HP)	7.5	Full Load Torque	11.2 LB-FT		
Volts	575	Start Configuration	direct on line		
Full Load Amps	7.2	Breakdown Torque	39.4 LB-FT		
R.P.M.	3510	Pull-up Torque	20.8 LB-FT		
Hz	60	Locked-rotor Torque	23.9 LB-FT		
NEMA Design Code	Phase 3	Starting Current	49.7 A		
Service Factor (S.F.)	B KVA Code H	No-load Current	2.94 A		
NEMA Nom. Eff.	89.5	Line-line Res. @ 25°C	1.86 Ω		
Rating - Duty	Power Factor 86	Temp. Rise @ Rated Load	44°C		
	40C AMB-CONT	Locked-rotor Power Factor	34.1		
		Rotor inertia	0.237 LB-FT ²		

Load Characteristics 575 V, 60 Hz, 7.5 HP

% of Rated Load	25	50	75	100	125	150
Power Factor	50	73	81	86	89	89
Efficiency	83.6	89.2	90.3	90.7	89.4	88.2
Speed	3581	3560	3537	3514	3487	3458
Line amperes	3.33	4.33	5.71	7.18	8.78	10.7

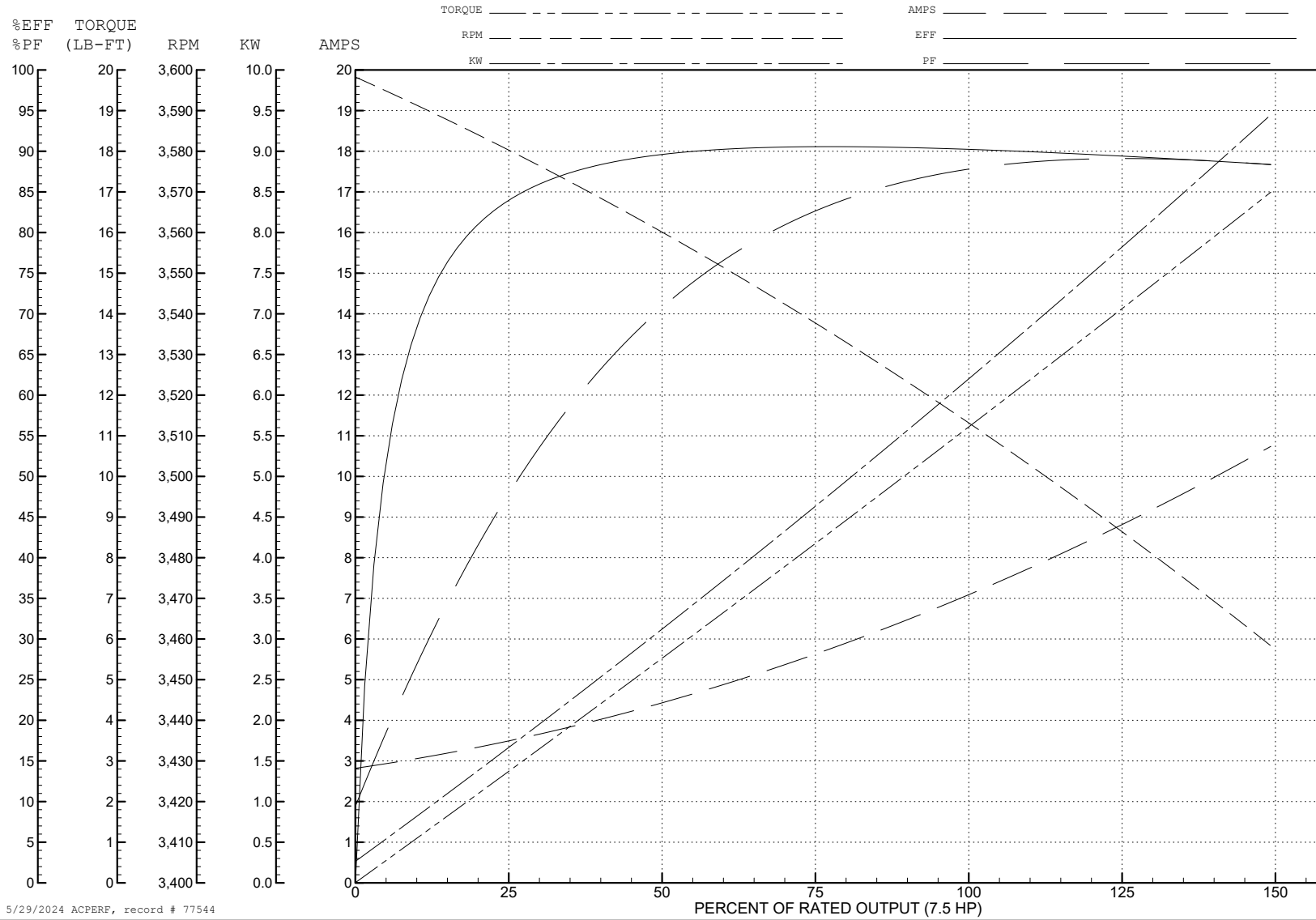
ABB Motors and Mechanical Inc.

WINDING # 07WGR535

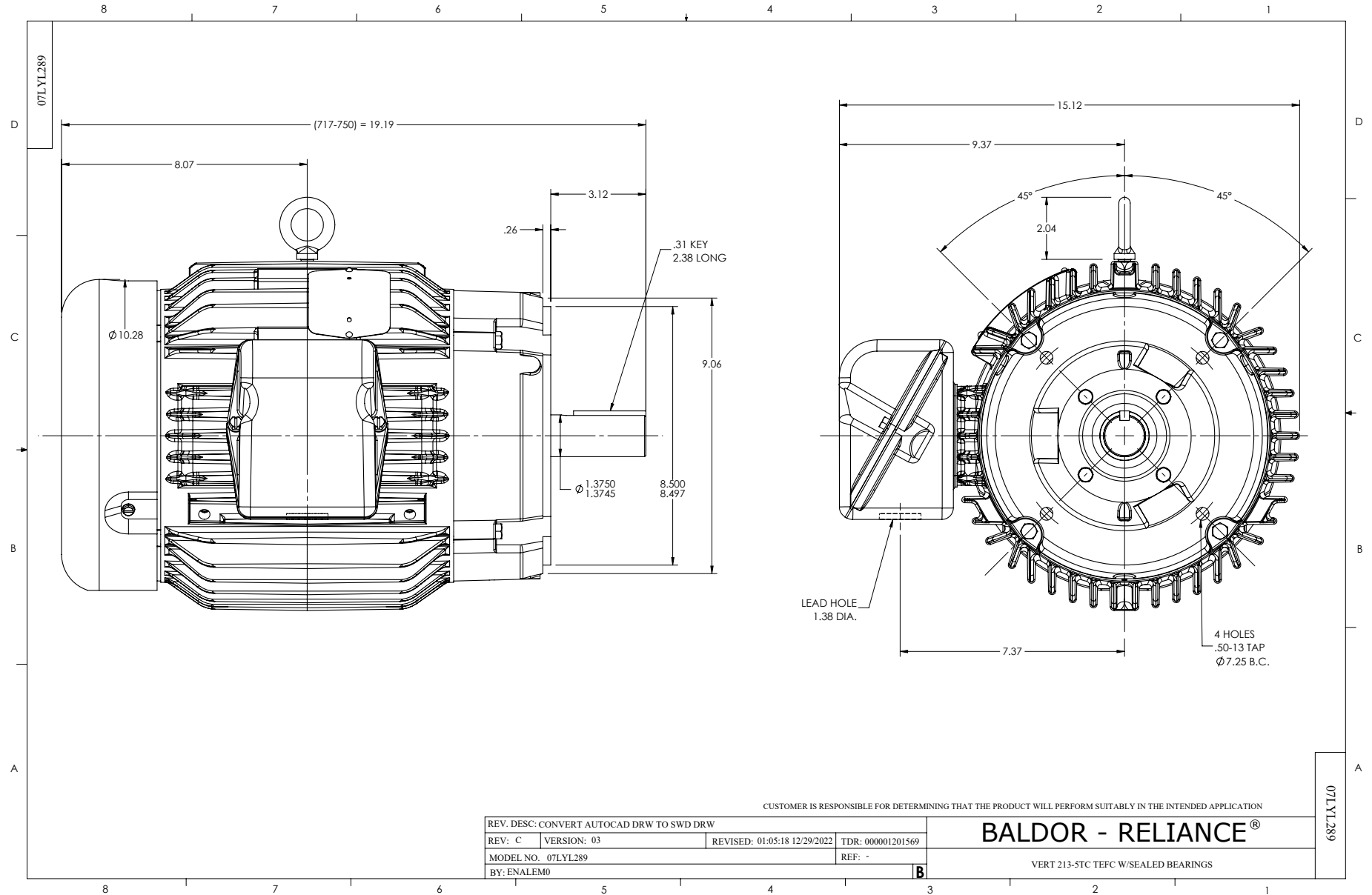
7.5 HP 3 PH 60 HZ 3510 RPM 575 V 0726M

Typical performance - not guaranteed values.

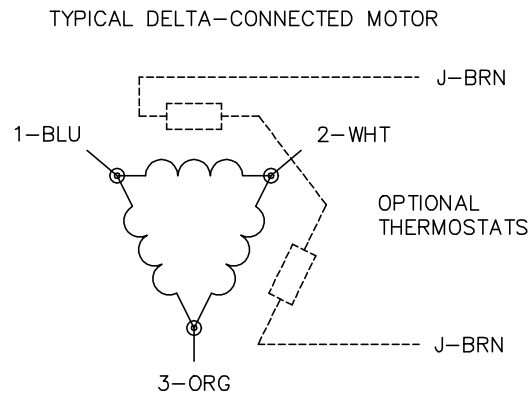
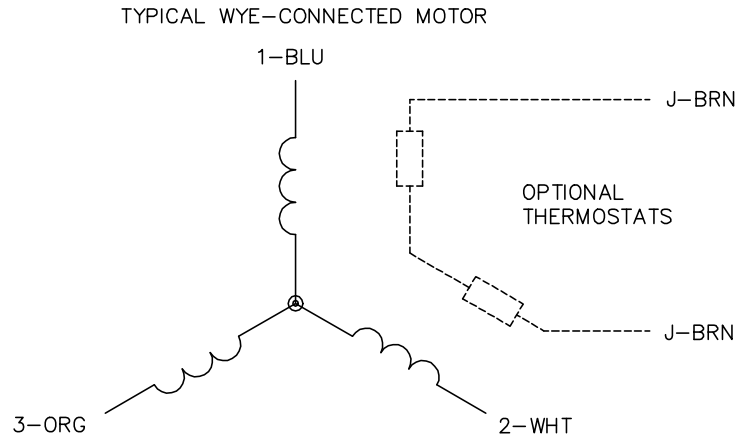
TORQUES (LB-FT): PO=39.4 PU=20.8 LR=23.9 LRA=49.7



5/29/2024 ACPERF, record # 77544



CD0006



NOTES:

1. THREE LEAD MOTOR MAY BE EITHER WYE CONNECTED OR DELTA CONNECTED.
2. INTERCHANGE ANY TWO LINE LEADS TO REVERSE ROTATION.
3. OPTIONAL THERMOSTATS ARE PROVIDED WHEN SPECIFIED.
4. ACTUAL NUMBER OF INTERNAL PARALLEL CIRCUITS MAY VARY.
5. LEAD COLORS ARE OPTIONAL. LEADS MUST BE NUMBERED AS SHOWN.

CD0006

REV. DESC: ADD CLASS CONN00000007		
REV. LTR: E	VERSION: 01	TDR: 000001099922
FILE: \AAA\00005\141	REVISED: 10:24:49 02/19/2019	BY: ENBRIRO
MTL: -		© □

BALDOR - RELIANCE®

3PH, SV, 3 LEADS, WYE OR DELTA CONNECTED

SH 1 of 1