

**BALDOR • RELIANCE**

---

# Customer information packet

## VXT3032T-140

3HP, 3450RPM, 3PH, 60HZ, 145TC, 0532M, TEFC, F1

Class - None

Division - Not Applicable

## Specifications

Enclosure	TEFC
Frame	145TC
Frame Material	Iron
Frequency	60.00 Hz
Haz Area Class and Group	None
Haz Area Division	Not Applicable
Motor Letter Type	Three Phase
Output @ Frequency	3.000 HP @ 60 HZ
Phase	3
Synchronous Speed @ Frequency	3600 RPM @ 60 HZ
Voltage @ Frequency	460.0 V @ 60 HZ 230.0 V @ 60 HZ 208.0 V @ 60 HZ
Agency Approvals	CCSA US CSA CSA EEV NEMA_PREMIUM UR
Ambient Temperature	40 °C
Auxillary Box	No Auxillary Box
Auxillary Box Lead Termination	None
Base Indicator	No Mounting
Bearing Grease Type	Polyrex EM (-20F +300F)
Blower	None
Constant Torque Speed Range	6
Current @ Voltage	7.900 A @ 208.0 V 7.800 A @ 208.0 V 7.200 A @ 230.0 V 3.600 A @ 460.0 V
Design Code	B
Drip Cover	No Drip Cover
Duty Rating	CONT

## Part detail

Revision	D
Type	AC
Mech. spec.	
Base	
Status	PRD/A
Elec. spec.	05WGX241
Layout	05LY-000-374
Eff. date	10-16-2023
CD Diagram	CD0005
Poles	02
Leads	9#18
Proprietary	False
Created date	12-08-2020

Efficiency @ 100% Load	86.5 %
Electrically Isolated Bearing	Not Electrically Isolated
Feedback Device	NO FEEDBACK
Haz Area Temp Code	T3C
Heater Indicator	No Heater
High Voltage Full Load Amps	3.6 a
Insulation Class	F
Inverter Code	Inverter Duty
IP Rating	NONE
KVA Code	K
Lifting Lugs	No Lifting Lugs
Locked Bearing Indicator	Locked Bearing
Motor Lead Termination	Flying Leads
Motor Standards	NEMA
Motor Type	0532M
Mounting Arrangement	F1
Number of Poles	2
Overall Length	12.54 IN
Power Factor	91
Product Family	General Purpose
Pulley Face Code	C-Face
Rodent Screen	None
Service Factor	1.15
Shaft Diameter	0.875 IN
Shaft Ground Indicator	No Shaft Grounding
Shaft Rotation	Reversible
Speed	3450 rpm
Speed Code	Single Speed
Starting Method	Direct on line
Thermal Device - Bearing	None
Thermal Device - Winding	None
Vibration Sensor Indicator	No Vibration Sensor
Winding Thermal 1	None
Winding Thermal 2	None

**Nameplate**

<b>NP4225L</b>									
<b>CAT.NO.</b>	VXT3032T-140				<b>I.P.</b>	54			
<b>SPEC.</b>	05-0000-0914				<b>ENCL</b>	TEFC			
<b>FRAME</b>	145TC	<b>H.P.</b>	3						
<b>VOLTS</b>	208-230/460		<b>P.F.</b>	91					
<b>F.L. AMPS</b>	7.9-7.2/3.6		<b>RATING</b>	40C AMB-CONT					
<b>R.P.M.</b>	3450	<b>USABLE AT 208V</b>	N/A						
<b>HZ.</b>	60	<b>PH.</b>	3	<b>CLASS</b>	F				
<b>SER.F.</b>	1.15	<b>DES.</b>	B	<b>SL HZ</b>	1.8				
<b>NEMA NOM. EFF.</b>	86.5	<b>WK2</b>	0.09						
<b>DE</b>	6205	<b>ODE</b>	6203						
<b>MAG. CUR.</b>	2.8/1.4								
<b>INV TYPE</b>	PWM	<b>CHP</b>	60	<b>TO</b>	90				
<b>CT</b>	6	<b>TO</b>	60	<b>VT</b>	6	<b>TO</b>	60		
<b>CC</b>	010A	<b>SN</b>							
USABLE AT 50 HZ 2.5HP 190/380V									
7.2/3.6A									

**AC Induction Motor Performance Data**

Record # 82534

Typical performance - not guaranteed values

Winding: 05WGX241-R012		Type: 0532M	Enclosure: TEFC	
<b>Nameplate Data</b>			<b>460 V, 60 Hz: High Voltage Connection</b>	
Rated Output (HP)	3	Full Load Torque	4.62 LB-FT	
Volts	208-230/460	Start Configuration	direct on line	
Full Load Amps	7.9-7.2/3.6	Breakdown Torque	19.9 LB-FT	
R.P.M.	3450	Pull-up Torque	11.9 LB-FT	
Hz	60 Phase	Locked-rotor Torque	18.8 LB-FT	
NEMA Design Code	B KVA Code	Starting Current	33.1 A	
Service Factor (S.F.)	1.15	No-load Current	1.17 A	
NEMA Nom. Eff.	86.5 Power Factor	Line-line Res. @ 25°C	4.72 Ω	
Rating - Duty	40C AMB-CONT	Temp. Rise @ Rated Load	57°C	
S.F. Amps		Temp. Rise @ S.F. Load	72°C	

**Load Characteristics 460 V, 60 Hz, 3 HP**

% of Rated Load	25	50	75	100	125	150	S.F.
Power Factor	62	81	88	91	93	94	92
Efficiency	83.6	87.9	88.2	87.2	85.6	83.5	86.2
Speed	3562	3531	3498	3463	3421	3375	3438
Line amperes	1.5	2.08	2.79	3.57	4.46	5.44	4.1

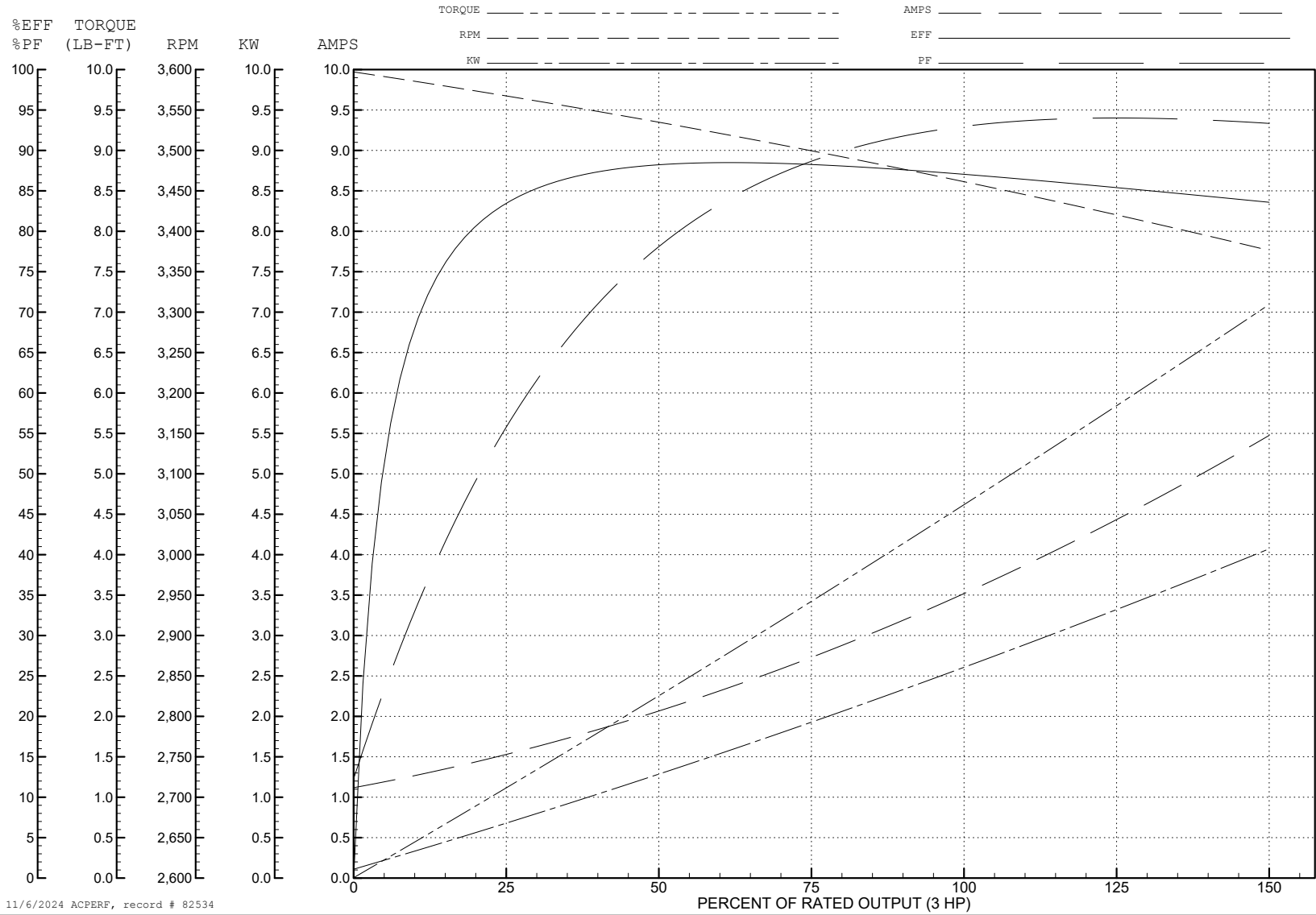
ABB Motors and Mechanical Inc.

WINDING # 05WGX241

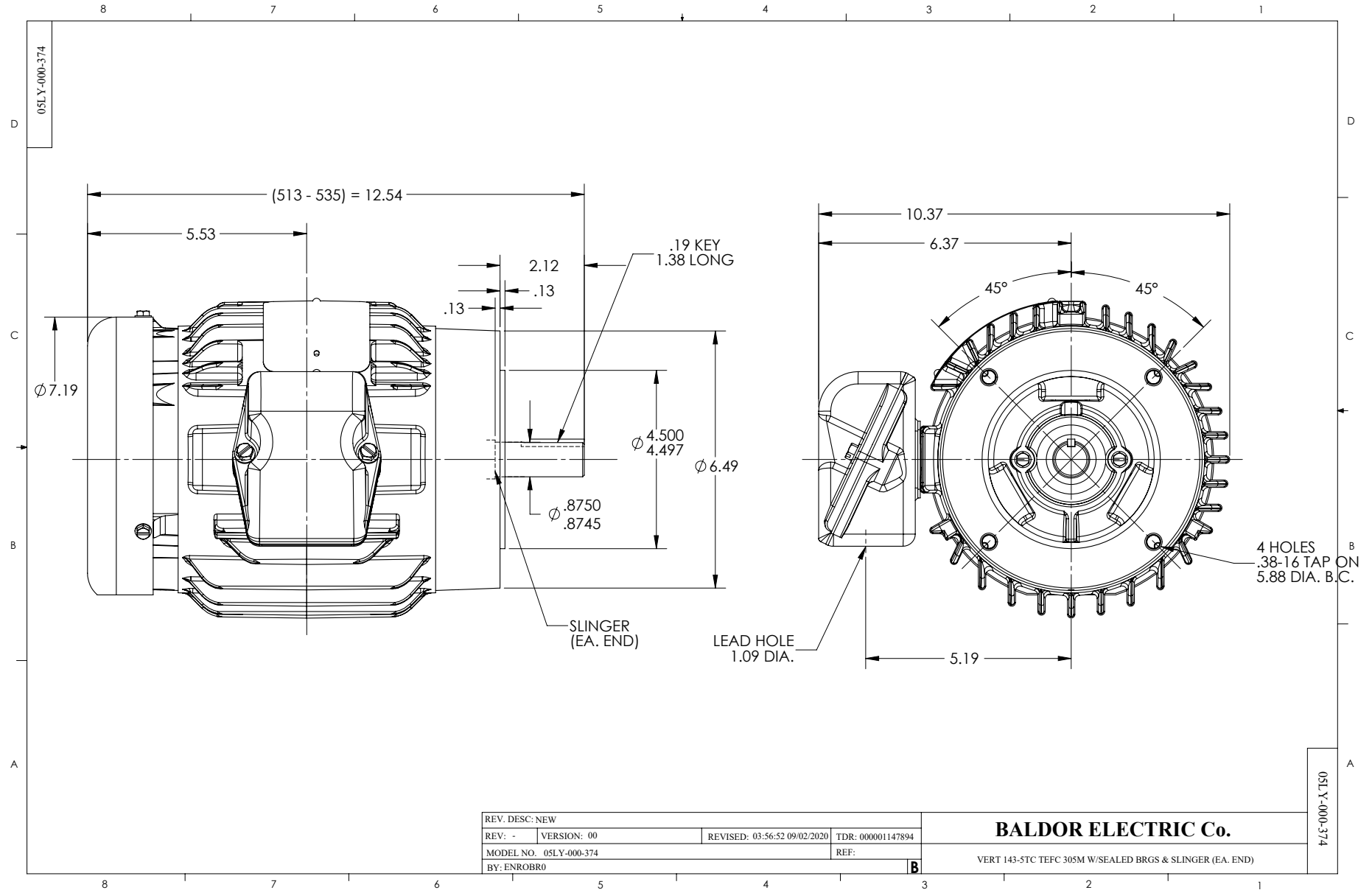
3 HP 3 PH 60 HZ 3450 RPM 460 V 0532M

Typical performance - not guaranteed values.

TORQUES (LB-FT): PO=19.9 PU=11.9 LR=18.8 LRA=33.1



11/6/2024 ACPERF, record # 82534



CD0005



LOW VOLTAGE  
(2Y)



LINE

HIGH VOLTAGE  
(1Y)



LINE

NOTES:

1. INTERCHANGE ANY TWO LINE LEADS TO REVERSE ROTATION.
2. OPTIONAL THERMOSTATS ARE PROVIDED WHEN SPECIFIED.
3. ACTUAL NUMBER OF INTERNAL PARALLEL CIRCUITS MAY BE A MULTIPLE OF THOSE SHOWN ABOVE.
4. LEAD COLORS ARE OPTIONAL. LEADS MUST ALWAYS BE NUMBERED AS SHOWN.

CD0005

REV. DESC: REVISE TO SHOW OPTIONAL COLORS			
REV. LTR: E	BY: JLP	REVISED: 01/19/99 10:15	TDR: 0171435
S00000		FILE: AAA00005140	MDL: -
		MTL: -	

**BALDOR ELECTRIC Co.**

3PH, DV, 9 LEADS