



---

# Customer information packet

## VXT3024T

2HP, 1765RPM, 3PH, 60HZ, 145TC, 0530M, TEFC, F1

Class - CLI GP A,B,C,D

Division - Division II

## Specifications

Enclosure	TEFC
Frame	145TC
Frame Material	Iron
Frequency	60.00 Hz
Haz Area Class and Group	CL I GP A,B,C,D
Haz Area Division	Division II
Motor Letter Type	Three Phase
Output @ Frequency	2.000 HP @ 60 HZ
Phase	3
Synchronous Speed @ Frequency	1800 RPM @ 60 HZ
Voltage @ Frequency	208.0 V @ 60 HZ 230.0 V @ 60 HZ 460.0 V @ 60 HZ
Agency Approvals	CCSA US CSA EEV NEMA PREMIUM UR
Ambient Temperature	40 °C
Auxillary Box	No Auxillary Box
Auxillary Box Lead Termination	None
Base Indicator	No Mounting
Bearing Grease Type	Polyrex EM (-20F +300F)
Blower	None
Constant Torque Speed Range	3
Current @ Voltage	5.700 A @ 208.0 V 5.600 A @ 230.0 V 2.800 A @ 460.0 V
Design Code	B
Drip Cover	No Drip Cover
Duty Rating	CONT
Efficiency @ 100% Load	86.5 %
Electrically Isolated Bearing	Not Electrically Isolated

## Part detail

Revision	B
Type	AC
Mech. spec.	05E6082
Base	
Status	PRD/A
Elec. spec.	05WGX904
Layout	05LYE6082
Eff. date	06-28-2024
CD Diagram	CD0005
Poles	04
Leads	9#18
Proprietary	False
Created date	02-20-2023

<b>Feedback Device</b>	NO FEEDBACK
<b>Front Shaft Indicator</b>	None
<b>Haz Area Temp Code</b>	T4
<b>Heater Indicator</b>	No Heater
<b>High Voltage Full Load Amps</b>	2.8 a
<b>Insulation Class</b>	F
<b>Inverter Code</b>	Inverter Ready
<b>KVA Code</b>	L
<b>Lifting Lugs</b>	No Lifting Lugs
<b>Locked Bearing Indicator</b>	Locked Bearing
<b>Motor Lead Quantity/Wire Size</b>	9 @ 18 AWG
<b>Motor Lead Termination</b>	Flying Leads
<b>Motor Standards</b>	NEMA
<b>Motor Type</b>	0530M
<b>Mounting Arrangement</b>	F1
<b>Number of Poles</b>	4
<b>Overall Length</b>	12.54 IN
<b>Power Factor</b>	77
<b>Product Family</b>	General Purpose
<b>Pulley End Bearing Type</b>	Sealed Bearing
<b>Pulley Face Code</b>	C-Face
<b>Pulley Shaft Indicator</b>	Standard
<b>Rodent Screen</b>	None
<b>Service Factor</b>	1.15
<b>Shaft Diameter</b>	0.875 IN
<b>Shaft Ground Indicator</b>	No Shaft Grounding
<b>Shaft Rotation</b>	Reversible
<b>Shaft Slinger Indicator</b>	No Slinger
<b>Speed</b>	1765 rpm
<b>Speed Code</b>	Single Speed
<b>Starting Method</b>	Direct on line
<b>Thermal Device - Bearing</b>	None
<b>Thermal Device - Winding</b>	None
<b>Vibration Sensor Indicator</b>	No Vibration Sensor

Winding Thermal 1

None

---

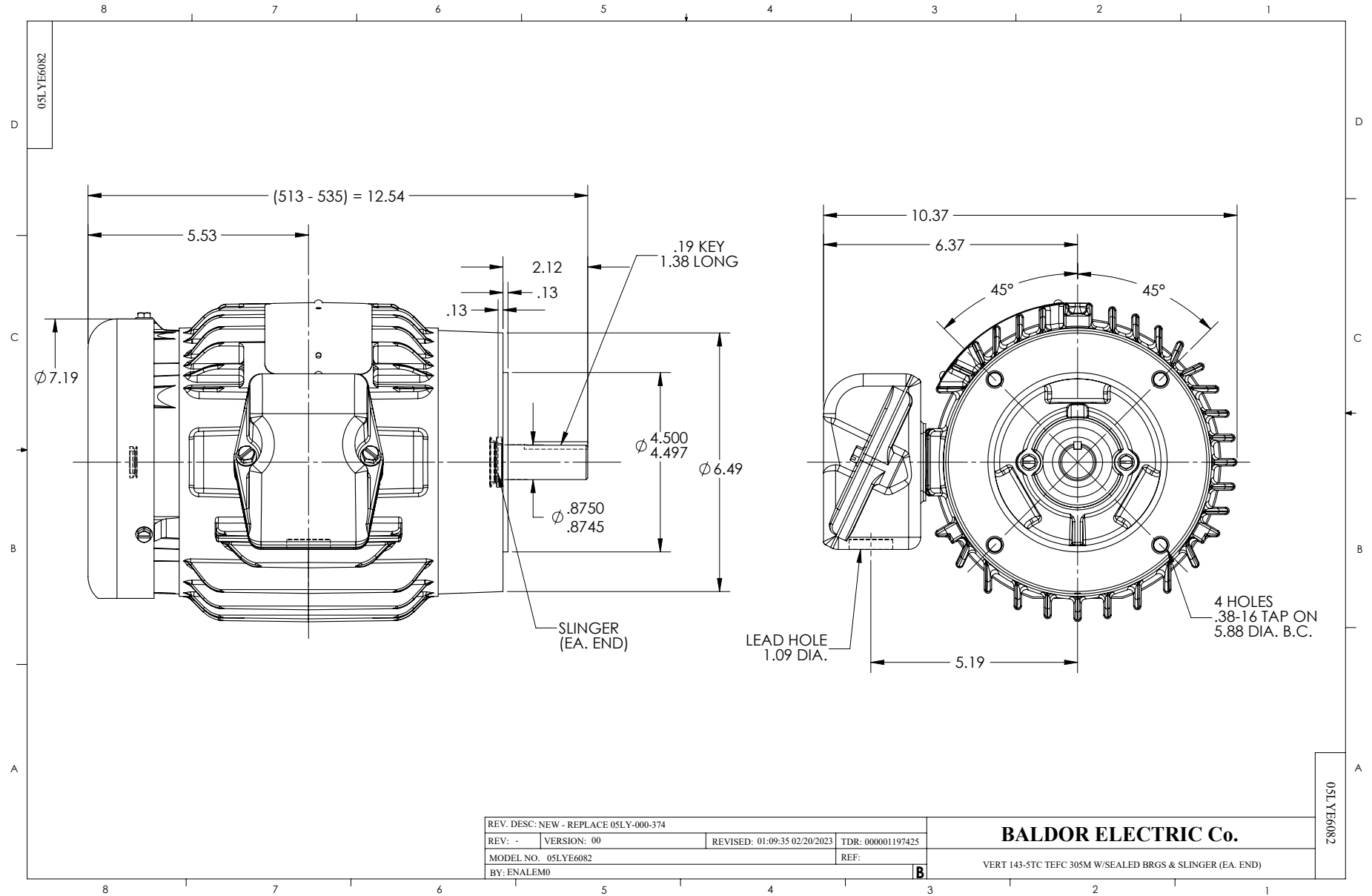
Winding Thermal 2

None

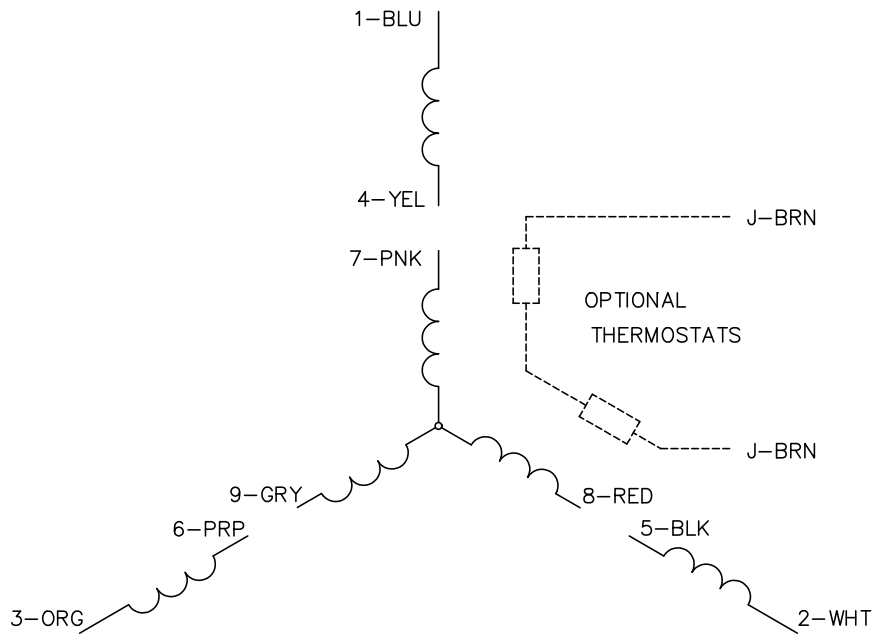
---

**Nameplate**

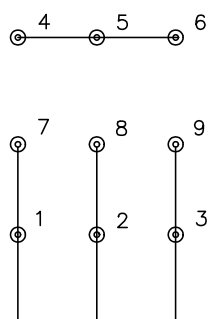
<b>NP4163L</b>										
<b>CAT.NO.</b>	VXT3024T					<b>I.P.</b>	54			
<b>SPEC.</b>	05E6082X904G1					<b>ENCL</b>	TEFC			
<b>FRAME</b>	145TC		<b>H.P.</b>	2						
<b>VOLTS</b>	208-230/460		<b>P.F.</b>	77						
<b>F.L. AMPS</b>	5.7-5.6/2.8		<b>RATING</b>	40C AMB-CONT						
<b>R.P.M.</b>	1765									
<b>HZ.</b>	60		<b>PH.</b>	3		<b>CLASS</b>	F			
<b>SER.F.</b>	1.15		<b>DES.</b>	B		<b>SL HZ</b>	1.07			
<b>NEMA NOM. EFF.</b>	86.5		<b>WK2</b>	0.217						
<b>DE</b>	6205		<b>ODE</b>	6203						
<b>MAG. CUR.</b>	2.8-3.3/1.65									
<b>INV TYPE</b>	PWM	<b>CHP</b>	60	<b>TO</b>	90	<b>T. CODE</b>	T4			
<b>CT</b>	3	<b>TO</b>	60	<b>VT</b>	3	<b>TO</b>	60			
<b>CC</b>	010A		<b>SN</b>							
	SFA 6.5-6.3/3.15									
	5.2/2.6A									



CD0005

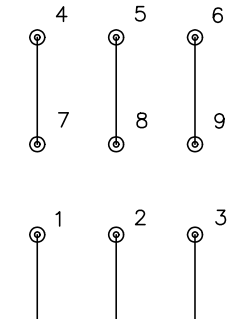


LOW VOLTAGE  
(2Y)



LINE

HIGH VOLTAGE  
(1Y)



LINE

NOTES:

1. INTERCHANGE ANY TWO LINE LEADS TO REVERSE ROTATION.
2. OPTIONAL THERMOSTATS ARE PROVIDED WHEN SPECIFIED.
3. ACTUAL NUMBER OF INTERNAL PARALLEL CIRCUITS MAY BE A MULTIPLE OF THOSE SHOWN ABOVE.
4. LEAD COLORS ARE OPTIONAL. LEADS MUST ALWAYS BE NUMBERED AS SHOWN.

CD0005

REV. DESC: REVISE TO SHOW OPTIONAL COLORS			
REV. LTR: E	BY: JLP	REVISED: 01/19/99 10:15	TDR: 0171435
S00000		FILE: AAA00005140	MDL: -
		MTL: -	

**BALDOR ELECTRIC Co.**

3PH, DV, 9 LEADS