

BALDOR • RELIANCE

Customer information packet

VXT30152T

1.5HP, 3450RPM, 3PH, 60HZ, 145TC, 0524M, TEFC

Class - CLI GP A,B,C,D

Division - Division II

Specifications

Enclosure	TEFC
Frame	145TC
Frame Material	Iron
Frequency	60.00 Hz
Haz Area Class and Group	CLI GP A,B,C,D
Haz Area Division	Division II
Motor Letter Type	Three Phase
Output @ Frequency	1.500 HP @ 60 HZ
Phase	3
Synchronous Speed @ Frequency	3600 RPM @ 60 HZ
Voltage @ Frequency	460.0 V @ 60 HZ 208.0 V @ 60 HZ 230.0 V @ 60 HZ
Agency Approvals	UR CCSA US NEMA_PREMIUM NEMA PREMIUM CSA EEV
Ambient Temperature	40 °C
Auxillary Box	No Auxillary Box
Auxillary Box Lead Termination	None
Base Indicator	No Mounting
Bearing Grease Type	Polyrex EM (-20F +300F)
Blower	None
Constant Torque Speed Range	6
Current @ Voltage	2.000 A @ 460.0 V 4.000 A @ 230.0 V 4.300 A @ 208.0 V
Design Code	B
Drip Cover	No Drip Cover
Duty Rating	CONT
Efficiency @ 100% Load	85.5 %

Part detail

Revision	B
Type	AC
Mech. spec.	
Base	
Status	PRD/A
Elec. spec.	05WGW116
Layout	05LY-000-374
Eff. date	06-28-2024
CD Diagram	CD0005
Poles	02
Leads	9#18
Proprietary	False
Created date	11-20-2020

Electrically Isolated Bearing	Not Electrically Isolated
Feedback Device	NO FEEDBACK
Haz Area Temp Code	T4
Heater Indicator	No Heater
High Voltage Full Load Amps	2.0 a
Insulation Class	F
Inverter Code	Inverter Duty
IP Rating	NONE
KVA Code	M
Lifting Lugs	No Lifting Lugs
Locked Bearing Indicator	Locked Bearing
Motor Lead Termination	Flying Leads
Motor Standards	NEMA
Motor Type	0524M
Mounting Arrangement	F1
Number of Poles	2
Overall Length	12.54 IN
Power Factor	83
Product Family	General Purpose
Pulley Face Code	C-Face
Rodent Screen	None
Service Factor	1.15
Shaft Diameter	0.875 IN
Shaft Ground Indicator	No Shaft Grounding
Shaft Rotation	Reversible
Speed	3450 rpm
Speed Code	Single Speed
Starting Method	Direct on line
Thermal Device - Bearing	None
Thermal Device - Winding	None
Vibration Sensor Indicator	No Vibration Sensor
Winding Thermal 1	None
Winding Thermal 2	None

Nameplate

NP4163L										
CAT.NO.	VXT30152T					I.P.	54			
SPEC.	05-0000-0900					ENCL	TEFC			
FRAME	145TC		H.P.	1.5						
VOLTS	208-230/460		P.F.	83						
F.L. AMPS	4.3-4/2		RATING	40C AMB-CONT						
R.P.M.	3450									
HZ.	60		PH.	3		CLASS	F			
SER.F.	1.15		DES.	B		SL HZ	1.6			
NEMA NOM. EFF.	85.5		WK2	0.07						
DE	6205		ODE	6203						
MAG. CUR.	1.8/9									
INV TYPE	PWM	CHP	60		TO	90		T. CODE	T4	
CT	6	TO	60		VT	6		TO	60	
CC	010A		SN							
USABLE AT 50 HZ 1HP 190/380V										
3.6/1.8A										

AC Induction Motor Performance Data

Record # 47152

Typical performance - not guaranteed values

Winding: 05WGW116-R023		Type: 0524M		Enclosure: TEFC	
Nameplate Data			460 V, 60 Hz: High Voltage Connection		
Rated Output (HP)	1.5	Full Load Torque	2.3 LB-FT		
Volts	208-230/460	Start Configuration	direct on line		
Full Load Amps	4.3-4/2	Breakdown Torque	10.8 LB-FT		
R.P.M.	3450	Pull-up Torque	8.1 LB-FT		
Hz	60 Phase	3	Locked-rotor Torque	10.2 LB-FT	
NEMA Design Code	B KVA Code	M	Starting Current	20.1 A	
Service Factor (S.F.)	1.15	No-load Current	0.88 A		
NEMA Nom. Eff.	85.5 Power Factor	83	Line-line Res. @ 25°C	8.2 Ω	
Rating - Duty	40C AMB-CONT	Temp. Rise @ Rated Load	32°C		
S.F. Amps		Temp. Rise @ S.F. Load	37°C		
		Rotor inertia	0.0664 LB-FT ²		

Load Characteristics 460 V, 60 Hz, 1.5 HP

% of Rated Load	25	50	75	100	125	150	S.F.
Power Factor	49	68	78	83	87	88	84
Efficiency	71.9	81.3	84.3	85.5	85	84	85.2
Speed	3569	3545	3521	3496	3468	3439	3479
Line amperes	1.03	1.29	1.6	2	2.4	2.8	2.25

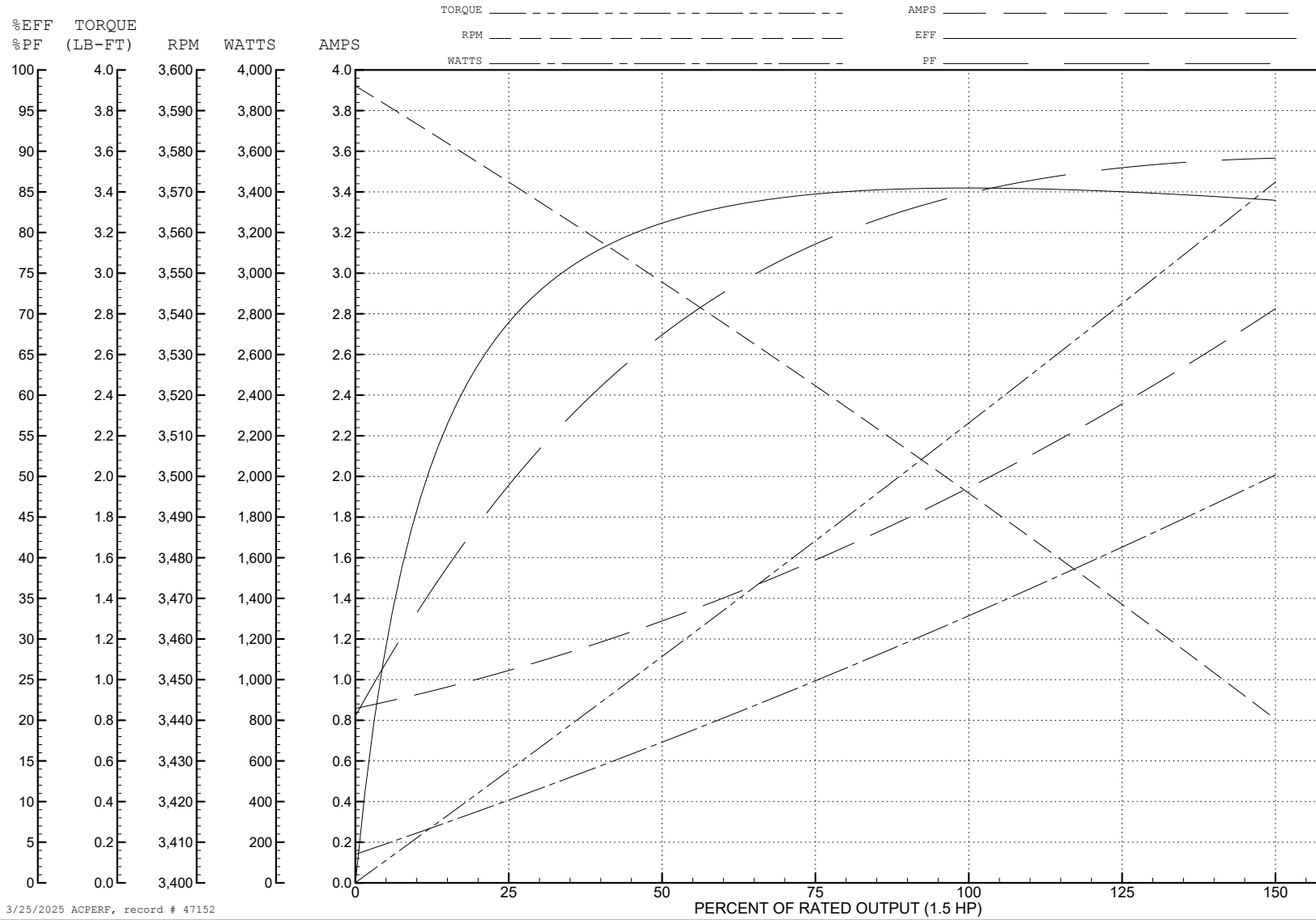
ABB Motors and Mechanical Inc.

WINDING # 05WGW116

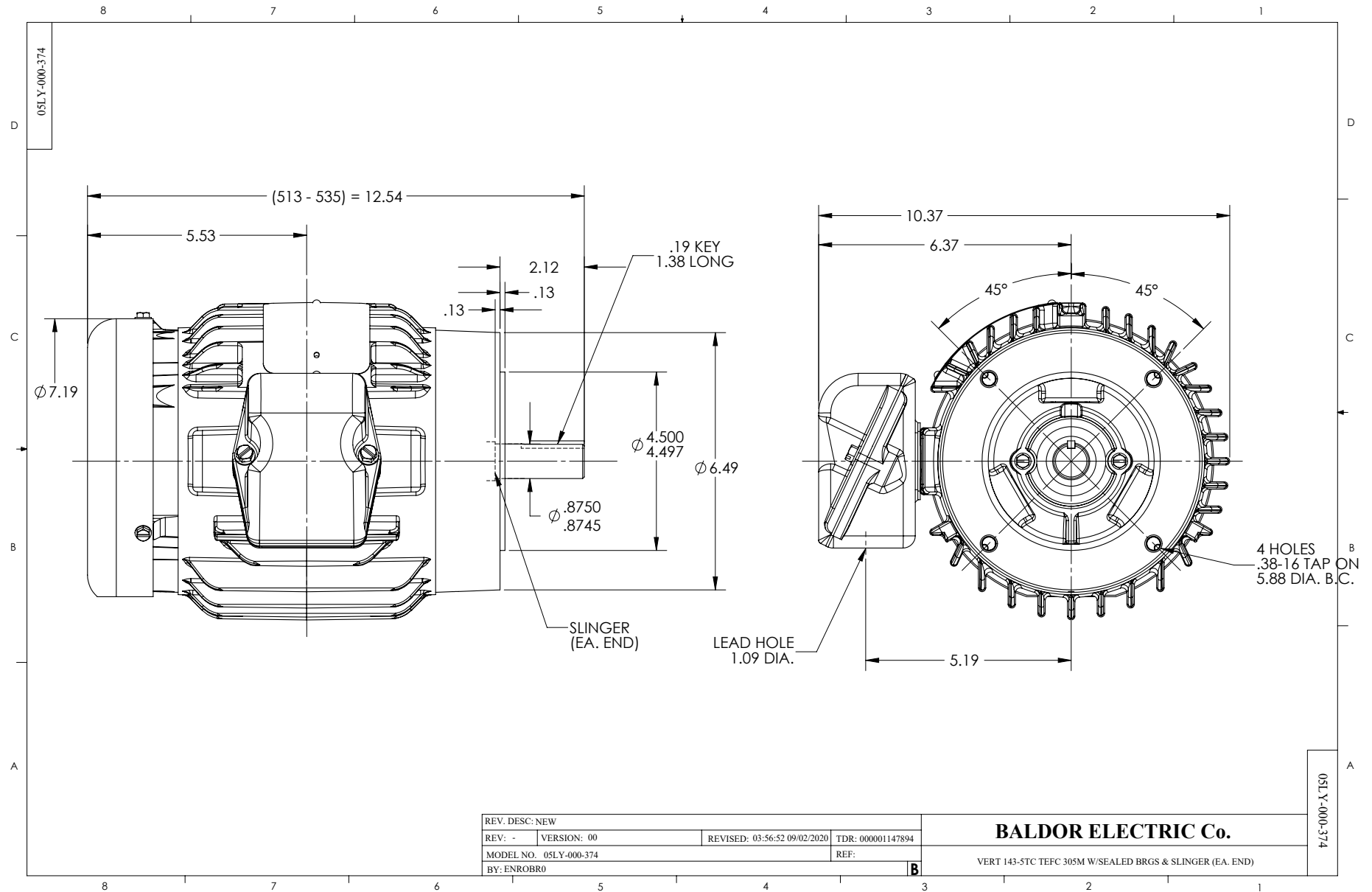
Typical performance - not guaranteed values.

1.5 HP 3 PH 60 HZ 3450 RPM 460 V 0524M

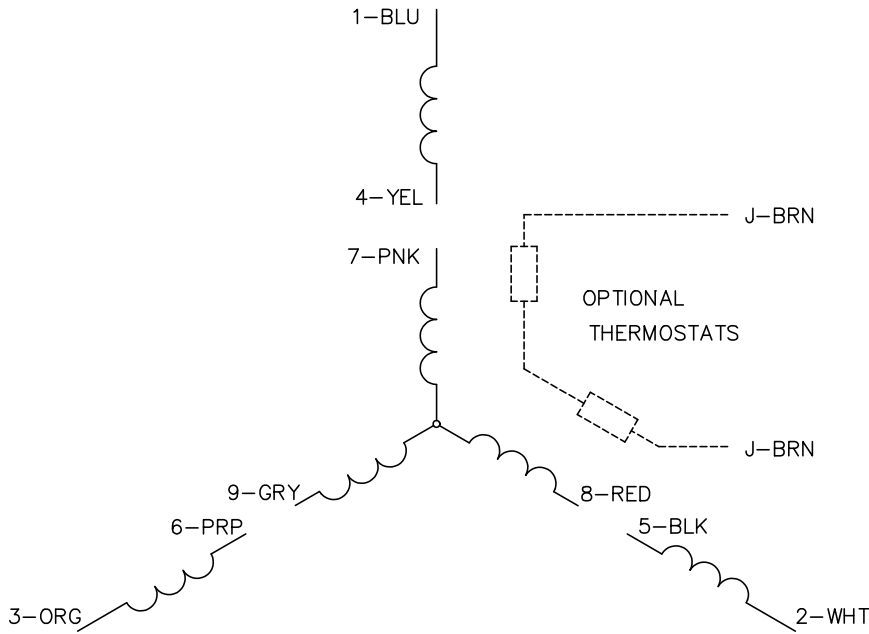
TORQUES (LB-FT): PO=10.8 PU=8.1 LR=10.2 LRA=20.1



3/25/2025 ACPERF, record # 47152



CD0005



LOW VOLTAGE
(2Y)



LINE

HIGH VOLTAGE
(1Y)



LINE

NOTES:

1. INTERCHANGE ANY TWO LINE LEADS TO REVERSE ROTATION.
2. OPTIONAL THERMOSTATS ARE PROVIDED WHEN SPECIFIED.
3. ACTUAL NUMBER OF INTERNAL PARALLEL CIRCUITS MAY BE A MULTIPLE OF THOSE SHOWN ABOVE.
4. LEAD COLORS ARE OPTIONAL. LEADS MUST ALWAYS BE NUMBERED AS SHOWN.

CD0005

REV. DESC: REVISE TO SHOW OPTIONAL COLORS			
REV. LTR: E	BY: JLP	REVISED: 01/19/99 10:15	TDR: 0171435
S00000		FILE: AAA00005140	MDL: -
		MTL: -	

BALDOR ELECTRIC Co.

3PH, DV, 9 LEADS