



---

# Customer information packet

## VXT3012T

1HP, 3450RPM, 3PH, 60HZ, 143TC, 0516M, TEFC, F1

Class - CLI GP A,B,C,D

Division - Division II

## Specifications

Enclosure	TEFC
Frame	143TC
Frame Material	Iron
Frequency	60.00 Hz
Haz Area Class and Group	CL I GP A,B,C,D
Haz Area Division	Division II
Motor Letter Type	Three Phase
Output @ Frequency	1.000 HP @ 60 HZ
Phase	3
Synchronous Speed @ Frequency	3600 RPM @ 60 HZ
Voltage @ Frequency	460.0 V @ 60 HZ 208.0 V @ 60 HZ 230.0 V @ 60 HZ
Agency Approvals	UR CCSA US NEMA_PREMIUM NEMA PREMIUM CSA EEV
Ambient Temperature	40 °C
Auxillary Box	No Auxillary Box
Auxillary Box Lead Termination	None
Base Indicator	No Mounting
Bearing Grease Type	Polyrex EM (-20F +300F)
Blower	None
Constant Torque Speed Range	6
Current @ Voltage	1.400 A @ 460.0 V 2.800 A @ 230.0 V 3.000 A @ 208.0 V
Design Code	B
Drip Cover	No Drip Cover
Duty Rating	CONT
Efficiency @ 100% Load	84.0 %

## Part detail

Revision	B
Type	AC
Mech. spec.	
Base	
Status	PRD/A
Elec. spec.	05WGW546
Layout	05LY-000-374
Eff. date	06-28-2024
CD Diagram	CD0005
Poles	02
Leads	9#18
Proprietary	False
Created date	12-01-2020

Electrically Isolated Bearing	Not Electrically Isolated
Feedback Device	NO FEEDBACK
Haz Area Temp Code	T4
Heater Indicator	No Heater
High Voltage Full Load Amps	1.4 a
Insulation Class	F
Inverter Code	Inverter Duty
IP Rating	NONE
KVA Code	L
Lifting Lugs	No Lifting Lugs
Locked Bearing Indicator	Locked Bearing
Motor Lead Termination	Flying Leads
Motor Standards	NEMA
Motor Type	0516M
Mounting Arrangement	F1
Number of Poles	2
Overall Length	12.54 IN
Power Factor	82
Product Family	General Purpose
Pulley Face Code	C-Face
Rodent Screen	None
Service Factor	1.15
Shaft Diameter	0.875 IN
Shaft Ground Indicator	No Shaft Grounding
Shaft Rotation	Reversible
Speed	3450 rpm
Speed Code	Single Speed
Starting Method	Direct on line
Thermal Device - Bearing	None
Thermal Device - Winding	None
Vibration Sensor Indicator	No Vibration Sensor
Winding Thermal 1	None
Winding Thermal 2	None

**Nameplate**

<b>NP4163L</b>										
<b>CAT.NO.</b>	VXT3012T					<b>I.P.</b>	54			
<b>SPEC.</b>	05-0000-0909					<b>ENCL</b>	TEFC			
<b>FRAME</b>	143TC		<b>H.P.</b>	1						
<b>VOLTS</b>	208-230/460		<b>P.F.</b>	82						
<b>F.L. AMPS</b>	3-2.8/1.4		<b>RATING</b>	40C AMB-CONT						
<b>R.P.M.</b>	3450									
<b>HZ.</b>	60		<b>PH.</b>	3		<b>CLASS</b>	F			
<b>SER.F.</b>	1.15		<b>DES.</b>	B		<b>SL HZ</b>	2			
<b>NEMA NOM. EFF.</b>	84		<b>WK2</b>	0.036						
<b>DE</b>	6205		<b>ODE</b>	6203						
<b>MAG. CUR.</b>	1.4/0.6									
<b>INV TYPE</b>	PWM	<b>CHP</b>	60		<b>TO</b>	90		<b>T. CODE</b>	T4	
<b>CT</b>	6	<b>TO</b>	60		<b>VT</b>	6		<b>TO</b>	60	
<b>CC</b>	010A		<b>SN</b>							
USABLE AT 50 HZ 0.75HP 190/380										
2.4/1.5A										

**AC Induction Motor Performance Data**

Record # 35458

Typical performance - not guaranteed values

<b>Winding:</b> 05WGW546-R008		<b>Type:</b> 0516M		<b>Enclosure:</b> TEFC	
<b>Nameplate Data</b>			<b>460 V, 60 Hz: High Voltage Connection</b>		
<b>Rated Output (HP)</b>	1	<b>Full Load Torque</b>	1.5 LB-FT		
<b>Volts</b>	208-230/460	<b>Start Configuration</b>	direct on line		
<b>Full Load Amps</b>	3-2.8/1.4	<b>Breakdown Torque</b>	6.5 LB-FT		
<b>R.P.M.</b>	3450	<b>Pull-up Torque</b>	4.8 LB-FT		
<b>Hz</b>	60 <b>Phase</b>	3	<b>Locked-rotor Torque</b>	5.7 LB-FT	
<b>NEMA Design Code</b>	<b>B KVA Code</b>	L	<b>Starting Current</b>	12.1 A	
<b>Service Factor (S.F.)</b>		1.15	<b>No-load Current</b>	0.68 A	
<b>NEMA Nom. Eff.</b>	84 <b>Power Factor</b>	82	<b>Line-line Res. @ 25°C</b>	15.3 Ω	
<b>Rating - Duty</b>	40C AMB-CONT		<b>Temp. Rise @ Rated Load</b>	33°C	
<b>S.F. Amps</b>			<b>Temp. Rise @ S.F. Load</b>	38°C	
			<b>Rotor inertia</b>	0.0442 LB-FT <sup>2</sup>	

**Load Characteristics 460 V, 60 Hz, 1 HP**

<b>% of Rated Load</b>	<b>25</b>	<b>50</b>	<b>75</b>	<b>100</b>	<b>125</b>	<b>150</b>	<b>S.F.</b>
<b>Power Factor</b>	45	65	77	83	87	87	85
<b>Efficiency</b>	70.4	80.6	84	84.6	84.7	83.7	84.7
<b>Speed</b>	3567	3539	3510	3479	3446	3410	3459
<b>Line amperes</b>	0.75	0.9	1.09	1.33	1.56	1.88	1.47

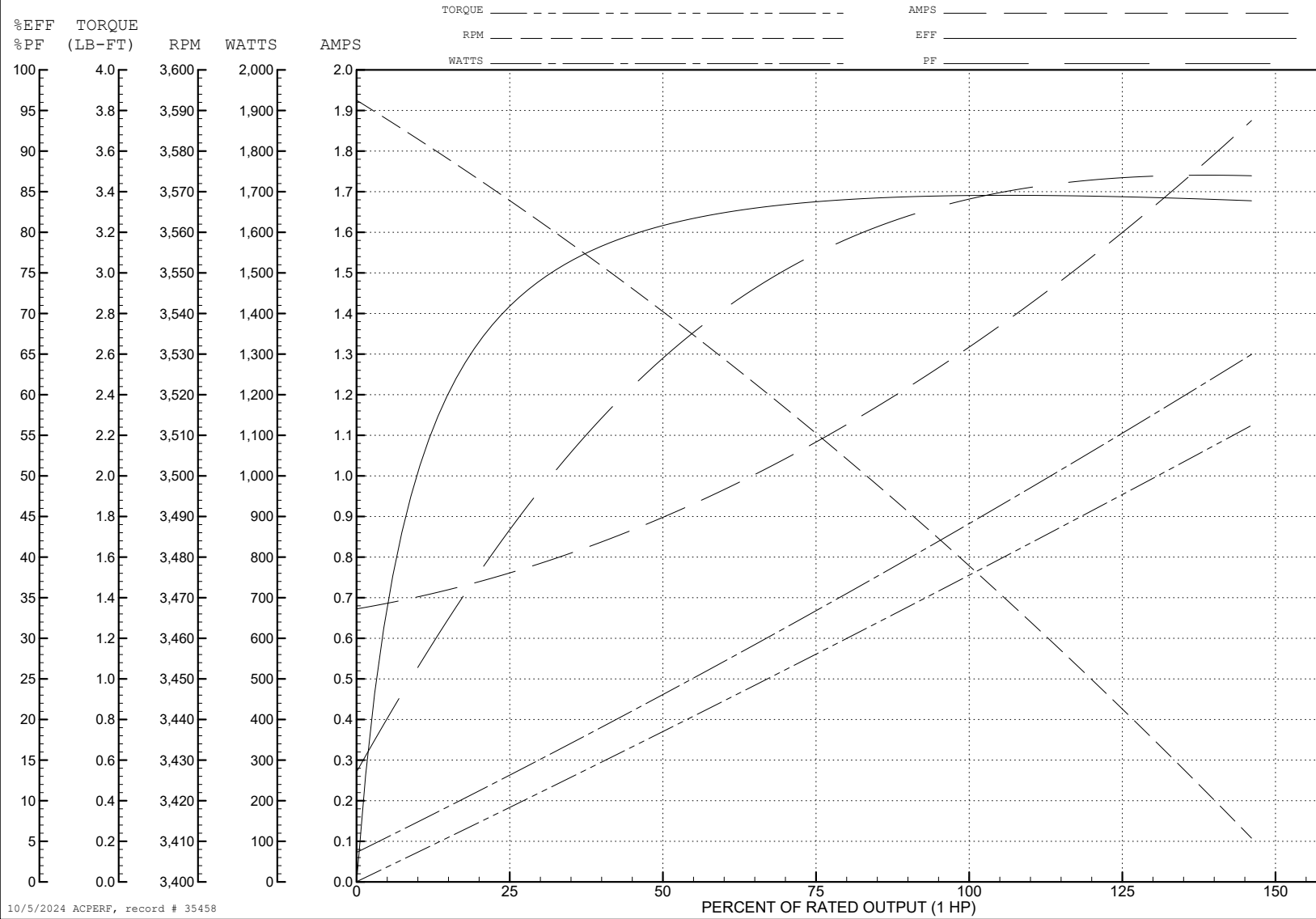
ABB Motors and Mechanical Inc.

WINDING # 05WGW546

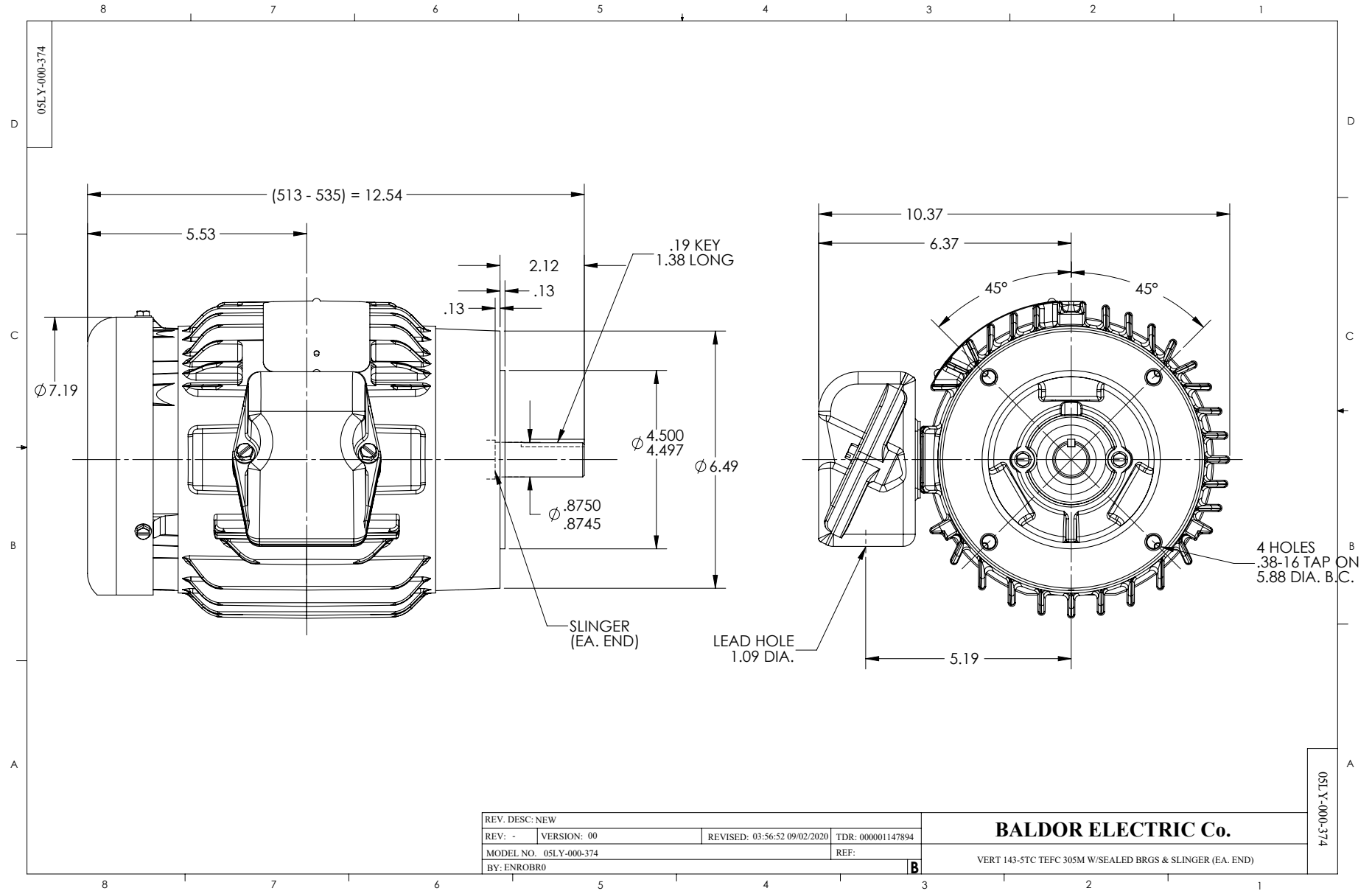
Typical performance - not guaranteed values.

1 HP 3 PH 60 HZ 3450 RPM 460 V 0516M

TORQUES (LB-FT): PO=6.5 PU=4.8 LR=5.7 LRA=12.1



10/5/2024 ACPERF, record # 35458



CD0005



LOW VOLTAGE  
(2Y)



LINE

HIGH VOLTAGE  
(1Y)



LINE

NOTES:

1. INTERCHANGE ANY TWO LINE LEADS TO REVERSE ROTATION.
2. OPTIONAL THERMOSTATS ARE PROVIDED WHEN SPECIFIED.
3. ACTUAL NUMBER OF INTERNAL PARALLEL CIRCUITS MAY BE A MULTIPLE OF THOSE SHOWN ABOVE.
4. LEAD COLORS ARE OPTIONAL. LEADS MUST ALWAYS BE NUMBERED AS SHOWN.

CD0005

REV. DESC: REVISE TO SHOW OPTIONAL COLORS			
REV. LTR: E	BY: JLP	REVISED: 01/19/99 10:15	TDR: 0171435
S00000		FILE: AAA00005140	MDL: -
		MTL: -	

**BALDOR ELECTRIC Co.**

3PH, DV, 9 LEADS