



Customer information packet

VXT3012T-5

1HP, 3450RPM, 3PH, 60HZ, 143TC, 0516M, TEFC, F1

Class - CLI GP A,B,C,D

Division - Division II

Specifications

Enclosure	TEFC
Frame	143TC
Frame Material	Iron
Frequency	60.00 Hz
Haz Area Class and Group	CLI GP A,B,C,D
Haz Area Division	Division II
Motor Letter Type	Three Phase
Output @ Frequency	1.000 HP @ 60 HZ
Phase	3
Synchronous Speed @ Frequency	3600 RPM @ 60 HZ
Voltage @ Frequency	575.0 V @ 60 HZ
Agency Approvals	UR NEMA_PREMIUM NEMA PREMIUM CSA EEV CCSA US
Ambient Temperature	40 °C
Auxillary Box	No Auxillary Box
Auxillary Box Lead Termination	None
Base Indicator	No Mounting
Bearing Grease Type	Polyrex EM (-20F +300F)
Blower	None
Constant Torque Speed Range	6
Current @ Voltage	1.100 A @ 575.0 V
Design Code	B
Drip Cover	No Drip Cover
Duty Rating	CONT
Efficiency @ 100% Load	84.0 %
Electrically Isolated Bearing	Not Electrically Isolated
Feedback Device	NO FEEDBACK
Haz Area Temp Code	T4
Heater Indicator	No Heater

Part detail

Revision	A
Type	AC
Mech. spec.	
Base	
Status	PRD/A
Elec. spec.	05WGW060
Layout	05LY-000-374
Eff. date	09-19-2022
CD Diagram	CD0006
Poles	02
Leads	3#18
Proprietary	False
Created date	05-24-2021

High Voltage Full Load Amps	1.1 a
Insulation Class	F
Inverter Code	Inverter Duty
IP Rating	NONE
KVA Code	L
Lifting Lugs	No Lifting Lugs
Locked Bearing Indicator	Locked Bearing
Motor Lead Termination	Flying Leads
Motor Standards	NEMA
Motor Type	0516M
Mounting Arrangement	F1
Number of Poles	2
Overall Length	12.54 IN
Power Factor	82
Product Family	General Purpose
Pulley Face Code	C-Face
Rodent Screen	None
Service Factor	1.15
Shaft Diameter	0.875 IN
Shaft Ground Indicator	No Shaft Grounding
Shaft Rotation	Reversible
Speed	3450 rpm
Speed Code	Single Speed
Starting Method	Direct on line
Thermal Device - Bearing	None
Thermal Device - Winding	None
Vibration Sensor Indicator	No Vibration Sensor
Winding Thermal 1	None
Winding Thermal 2	None

Nameplate

NP4224L									
CAT.NO.	VXT3012T-5				I.P.	54			
SPEC.	05-0000-0993				ENCL	TEFC			
FRAME	143TC	H.P.	1		T. CODE	T4			
VOLTS	575		P.F.	82					
F.L. AMPS	1.1		RATING	40C AMB-CONT					
R.P.M.	3450		USABLE AT 208V	N/A					
HZ.	60	PH.	3		CLASS	F			
SER.F.	1.15		DES.	B		SL HZ	2		
NEMA NOM. EFF.	84		WK2	0.05					
DE	6205		ODE	6203					
MAG. CUR.	.55								
INV TYPE	PWM	CHP	60		TO	90		INV TEMP CODE	T4
CT	6	TO	60		VT	6		TO	60
CC	010A		SN						
	1.15 SF ON SINE WAVE								
	SFA 1.2								

AC Induction Motor Performance Data

Record # 51089

Typical performance - not guaranteed values

Winding: 05WGW060-R004		Type: 0516M		Enclosure: TEAO	
Nameplate Data			575 V, 60 Hz: Single Voltage Motor		
Rated Output (HP)		1	Full Load Torque		1.5 LB-FT
Volts		575	Start Configuration		direct on line
Full Load Amps		1.1	Breakdown Torque		6.5 LB-FT
R.P.M.		3450	Pull-up Torque		4.8 LB-FT
Hz	60 Phase	3	Locked-rotor Torque		5.7 LB-FT
NEMA Design Code	B KVA Code	L	Starting Current		9.7 A
Service Factor (S.F.)		1.15	No-load Current		0.54 A
NEMA Nom. Eff.	84 Power Factor	82	Line-line Res. @ 25°C		24.1 Ω
Rating - Duty		40C AMB-CONT	Temp. Rise @ Rated Load		
			Locked-rotor Power Factor		56.4
			Rotor inertia		0.0443 LB-FT ²

Load Characteristics 575 V, 60 Hz, 1 HP

% of Rated Load	25	50	75	100	125	150	S.F.
Power Factor	45	65	77	83	87	87	85
Efficiency	70.4	80.6	84	84.6	84.7	83.7	84.7
Speed	3567	3539	3510	3479	3446	3410	3459
Line amperes	0.6	0.72	0.87	1.06	1.25	1.5	1.17

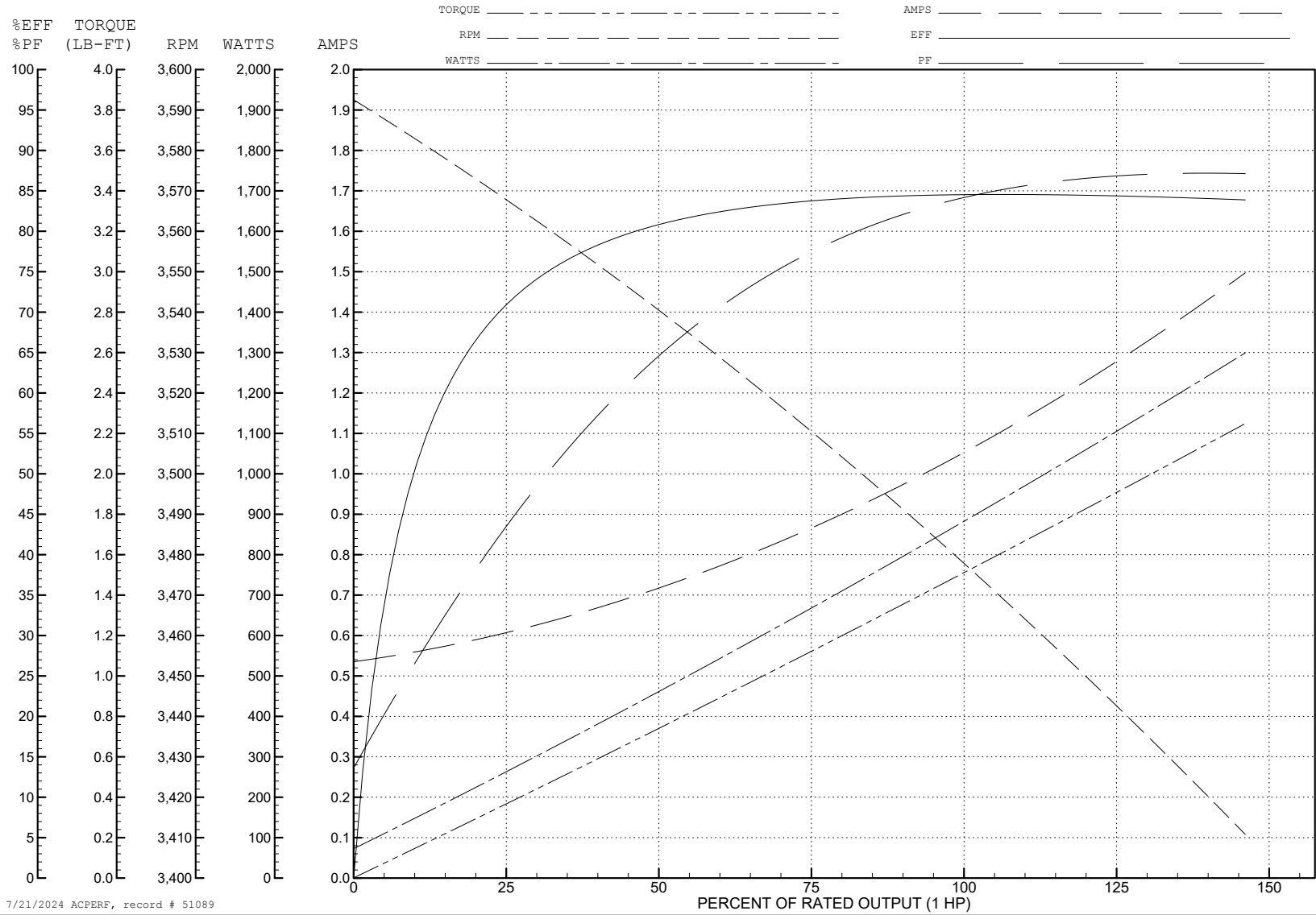
ABB Motors and Mechanical Inc.

WINDING # 05WGW060

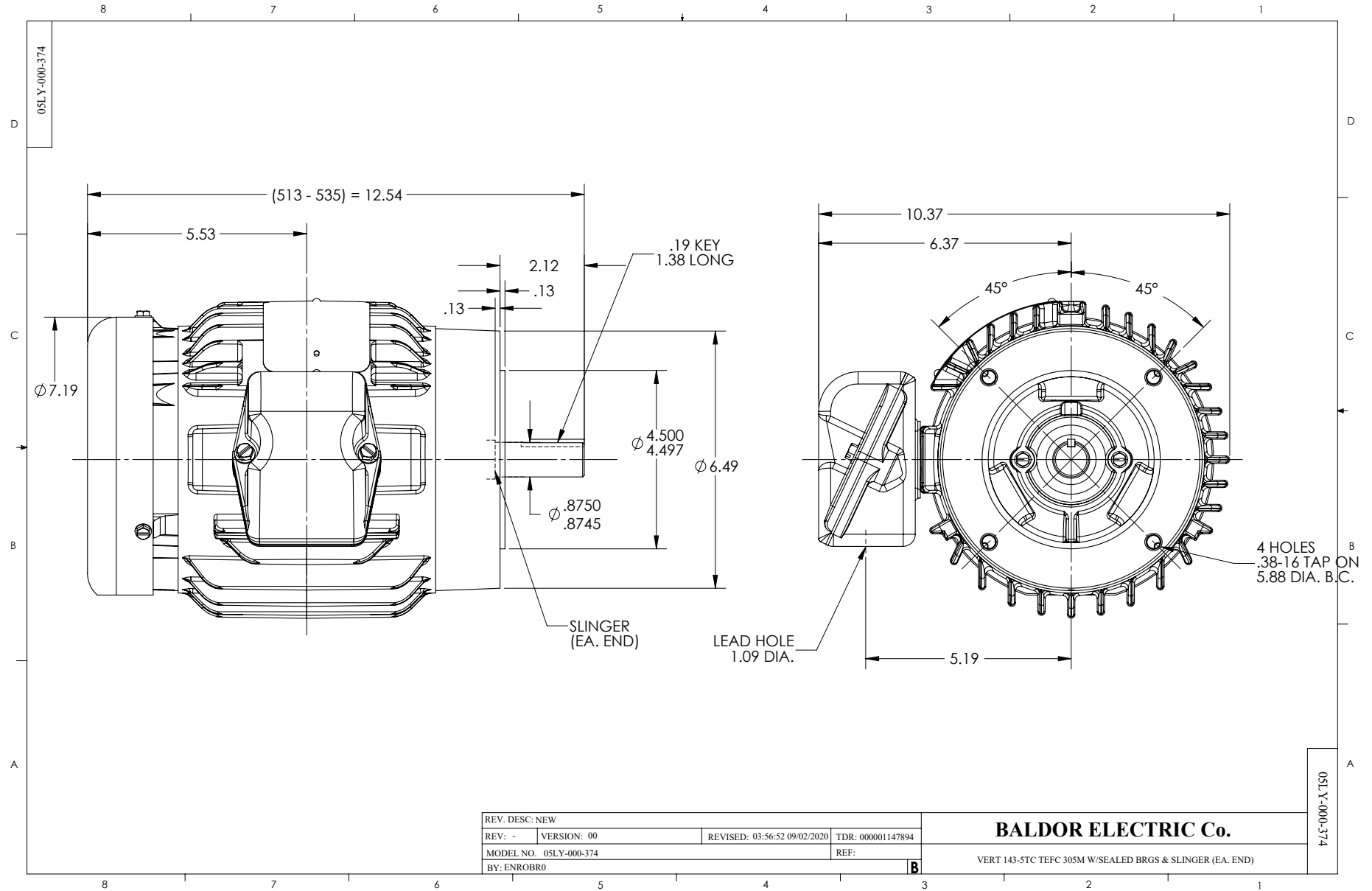
Typical performance - not guaranteed values.

1 HP 3 PH 60 HZ 3450 RPM 575 V 0516M

TORQUES (LB-FT): PO=6.5 PU=4.8 LR=5.7 LRA=9.7



7/21/2024 ACPERF, record # 51089



CD0006



NOTES:

1. THREE LEAD MOTOR MAY BE EITHER WYE CONNECTED OR DELTA CONNECTED.
2. INTERCHANGE ANY TWO LINE LEADS TO REVERSE ROTATION.
3. OPTIONAL THERMOSTATS ARE PROVIDED WHEN SPECIFIED.
4. ACTUAL NUMBER OF INTERNAL PARALLEL CIRCUITS MAY VARY.
5. LEAD COLORS ARE OPTIONAL. LEADS MUST BE NUMBERED AS SHOWN.

CD0006

REV. DESC: ADD CLASS CONN00000007		
REV. LTR: E	VERSION: 01	TDR: 000001099922
FILE: \AAA\00005\141	REVISED: 10:24:49 02/19/2019	BY: ENBRIRO
MTL: -	© □	

BALDOR - RELIANCE®

3PH, SV, 3 LEADS, WYE OR DELTA CONNECTED

SH 1 of 1