

BALDOR • RELIANCE

Customer information packet

VXM141542T-5

1.5HP, 1770RPM, 3PH, 60HZ, 145TC, 3524M, XPFC

Class - CLI GP D; CLII GP F,G

Division - Division I

Specifications

Enclosure	XPFC
Frame	145TC
Frame Material	Steel
Frequency	60.00 Hz
Haz Area Class and Group	CLI GP D; CLII GP F,G
Haz Area Division	Division I
Motor Letter Type	Three Phase
Output @ Frequency	1.500 HP @ 60 HZ
Phase	3
Synchronous Speed @ Frequency	1800 RPM @ 60 HZ
Voltage @ Frequency	575.0 V @ 60 HZ
Agency Approvals	CSA EEV UL
Ambient Temperature	40 °C
Auxillary Box	No Auxillary Box
Auxillary Box Lead Termination	None
Base Indicator	No Mounting
Bearing Grease Type	Polyrex EM (-20F +300F)
Blower	None
Current @ Voltage	1.700 A @ 575.0 V
Design Code	B
Drip Cover	No Drip Cover
Duty Rating	CONT
Efficiency @ 100% Load	86.5 %
Electrically Isolated Bearing	Not Electrically Isolated
Feedback Device	NO FEEDBACK
Front Shaft Indicator	None
Heater Indicator	No Heater
High Voltage Full Load Amps	1.7 a
Insulation Class	F
Inverter Code	Inverter Ready
KVA Code	L

Part detail

Revision	C
Type	AC
Mech. spec.	35E380
Base	
Status	PRD/A
Elec. spec.	35WGG122
Layout	35LYE380
Eff. date	12-08-2023
CD Diagram	CD0006
Poles	04
Leads	3#18
Proprietary	False
Created date	02-23-2023

Lifting Lugs	No Lifting Lugs
Locked Bearing Indicator	Locked Bearing
Max Speed	2700 rpm
Motor Lead Quantity/Wire Size	3 @ 18 AWG
Motor Lead Termination	Flying Leads
Motor Standards	NEMA
Motor Type	3526M
Mounting Arrangement	F1
Number of Poles	4
Overall Length	15.21 IN
Power Factor	77
Product Family	General Purpose
Pulley End Bearing Type	Ball
Pulley Face Code	C-Face
Pulley Shaft Indicator	Standard
Rodent Screen	None
Service Factor	1.00
Shaft Diameter	0.875 IN
Shaft Ground Indicator	No Shaft Grounding
Shaft Rotation	Reversible
Speed	1770 rpm
Speed Code	Single Speed
Starting Method	Direct on line
Thermal Device - Bearing	None
Thermal Device - Winding	Normally Closed Thermostat
Vibration Sensor Indicator	No Vibration Sensor
Winding Thermal 1	None
Winding Thermal 2	None

Nameplate

NP0887XPSLEV

NO.		CC					
S/N		TEMP CODE	T3C				
SPEC.	35E380G122	INV.TYPE	PWM				
CAT.NO.	VXM141542T-5	C HP FR	60	C HP TO	90		
HP	1.5	CT HZ FROM	6	CT HZ TO	60		
VOLTS	575	VT HZ FROM	6	VT HZ TO	60		
AMPS	1.7	MAG CUR	1.1				
RPM	1770	MX RPM	2700				
HZ	60	PH	3	CL	F	NOM.EFF.	86.5
SER.F.	1.00	DES	B	SL HZ	1	WK2	0.174
FRAME	145TC	RATING	40C AMB-CONT				
	NEMA MG-1 PART 5, IP54						
	1.15 SF ON SINE WAVE						

AC Induction Motor Performance Data

Record # 73824

Typical performance - not guaranteed values

Winding: 35WGM887-R028		Type: 3526M		Enclosure: XPFC	
Nameplate Data			575 V, 60 Hz: Single Voltage Motor		
Rated Output (HP)	1.5	Full Load Torque	4.47 LB-FT		
Volts	575	Start Configuration	direct on line		
Full Load Amps	1.8	Breakdown Torque	19.03 LB-FT		
R.P.M.	1760	Pull-up Torque	9.34 LB-FT		
Hz	60	Phase	3	Locked-rotor Torque	13.3 LB-FT
NEMA Design Code	B	KVA Code	L	Starting Current	14.6 A
Service Factor (S.F.)	1	No-load Current	1.09 A		
NEMA Nom. Eff.	86.5	Power Factor	73	Line-line Res. @ 25°C	15.9 Ω
Rating - Duty	40C AMB-CONT		Temp. Rise @ Rated Load	45°C	
			Locked-rotor Power Factor	51.6	
			Rotor inertia	0.154 LB-FT ²	

Load Characteristics 575 V, 60 Hz, 1.5 HP

% of Rated Load	25	50	75	100	125	150
Power Factor	33	52	66	74	79	83
Efficiency	72.9	82	85.1	85.6	85.2	84.3
Speed	1790	1781	1771	1759	1747	1734
Line amperes	1.16	1.29	1.5	1.77	2.08	2.4

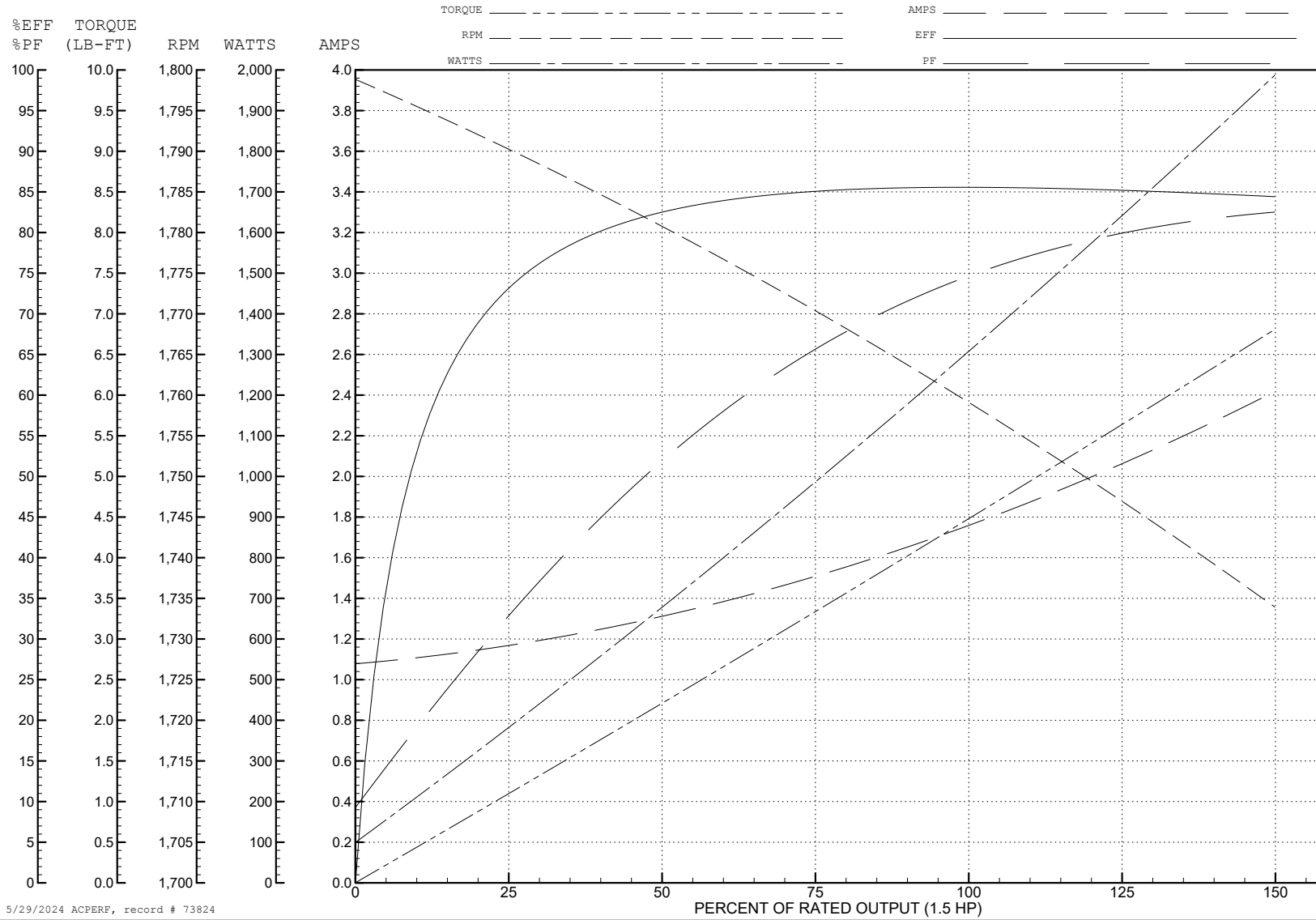
ABB Motors and Mechanical Inc.

WINDING # 35WGM887

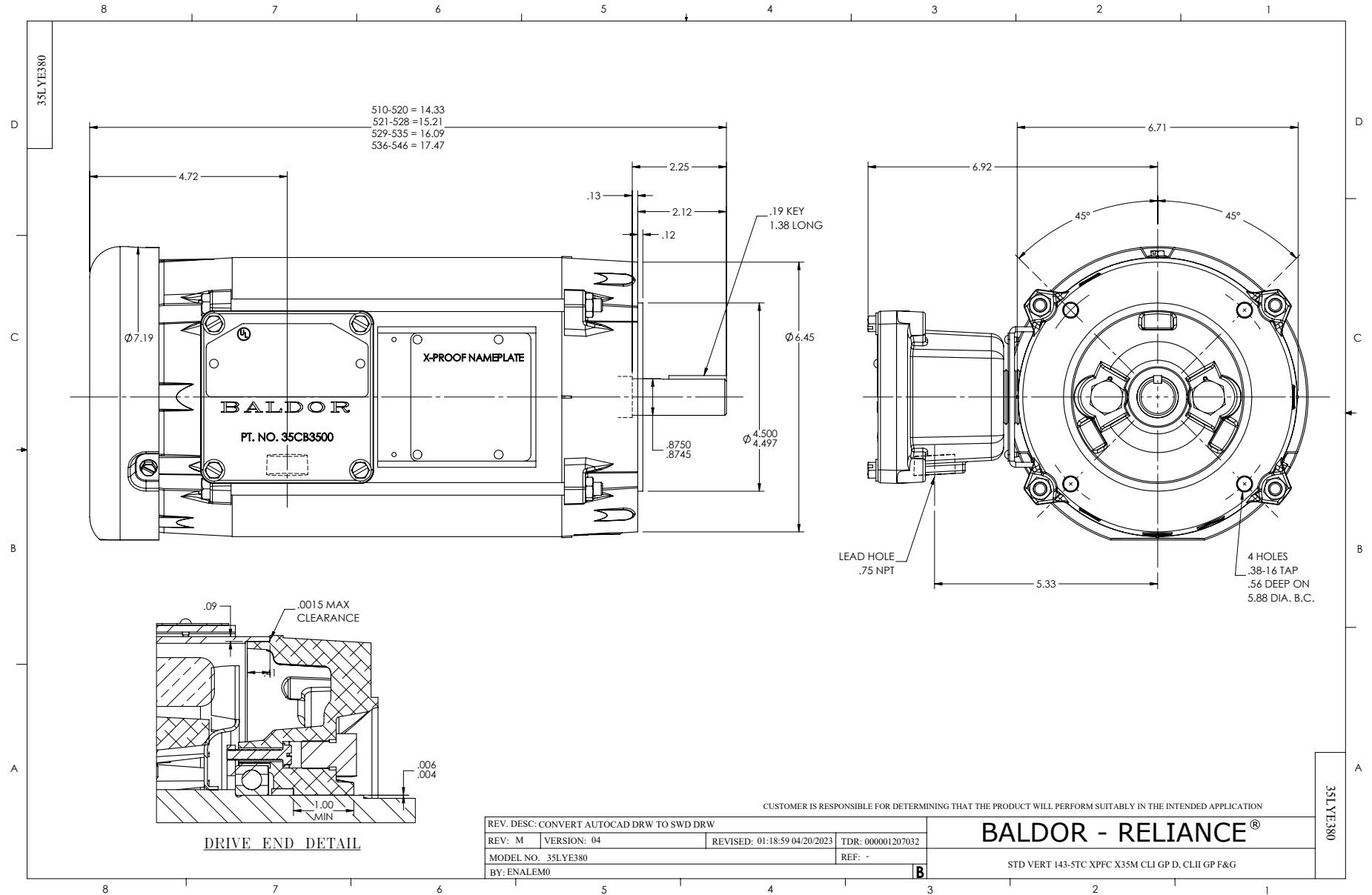
Typical performance - not guaranteed values.

1.5 HP 3 PH 60 HZ 1760 RPM 575 V 3526M

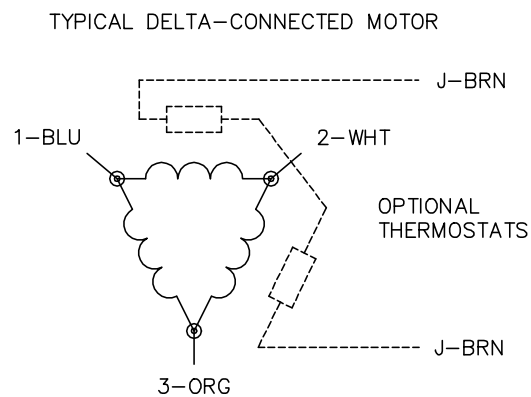
TORQUES (LB-FT): PO=19.03 PU=9.34 LR=13.3 LRA=14.6



5/29/2024 ACPERF, record # 73824



CD0006



NOTES:

1. THREE LEAD MOTOR MAY BE EITHER WYE CONNECTED OR DELTA CONNECTED.
2. INTERCHANGE ANY TWO LINE LEADS TO REVERSE ROTATION.
3. OPTIONAL THERMOSTATS ARE PROVIDED WHEN SPECIFIED.
4. ACTUAL NUMBER OF INTERNAL PARALLEL CIRCUITS MAY VARY.
5. LEAD COLORS ARE OPTIONAL. LEADS MUST BE NUMBERED AS SHOWN.

CD0006

REV. DESC: ADD CLASS CONN00000007		
REV. LTR: E	VERSION: 01	TDR: 000001099922
FILE: \AAA\00005\141	REVISED: 10: 24: 49 02/19/2019	BY: ENBRIRO
MTL: -	© □	

BALDOR - RELIANCE®

3PH, SV, 3 LEADS, WYE OR DELTA CONNECTED

SH 1 of 1