

BALDOR® • RELIANCE™

Customer information packet

VXM141522T

1.5//1HP, 3500//2900RPM, 3PH, 60//50HZ, 143T

Class - CLI GP D; CLII GP F,G

Division - Division I

Specifications

| | |
|--------------------------------|--|
| Enclosure | XPFC |
| Frame | 143TC |
| Frame Material | Steel |
| Frequency | 50.00 Hz 60.00 Hz |
| Motor Letter Type | Three Phase |
| Output @ Frequency | 1.000 HP @ 50 HZ 1.500 HP @ 60 HZ |
| Phase | 3 |
| Synchronous Speed @ Frequency | 3600 RPM @ 60 HZ |
| Voltage @ Frequency | 380.0 V @ 50 HZ 230.0 V @ 60 HZ 190.0 V @ 50 HZ 460.0 V @ 60 HZ |
| XP Class and Group | CLI GP D; CLII GP F,G |
| XP Division | Division I |
| Agency Approvals | CSA UR CSA EEV |
| Ambient Temperature | 40 °C |
| Auxillary Box | No Auxillary Box |
| Auxillary Box Lead Termination | None |
| Base Indicator | No Mounting |
| Bearing Grease Type | Polyrex EM (-20F +300F) |
| Blower | None |
| Constant Torque Speed Range | 6 |
| Current @ Voltage | 3.800 A @ 230.0 V 3.400 A @ 190.0 V 1.900 A @ 460.0 V 1.700 A @ 380.0 V |
| Design Code | B |
| Drip Cover | No Drip Cover |

Part detail

| | |
|--------------|------------|
| Revision | - |
| Type | AC |
| Mech. spec. | |
| Base | |
| Status | PRD/A |
| Elec. spec. | 35WGM760 |
| Layout | 35LYE380 |
| Eff. date | 03-04-2021 |
| CD Diagram | CD0005 |
| Poles | 02 |
| Leads | 9#18 |
| Proprietary | False |
| Created date | 03-02-2021 |

| | |
|-------------------------------|----------------------------|
| Duty Rating | CONT |
| Efficiency @ 100% Load | 84.0 % |
| Electrically Isolated Bearing | Not Electrically Isolated |
| Feedback Device | NO FEEDBACK |
| Heater Indicator | No Heater |
| High Voltage Full Load Amps | 1.7 a |
| Insulation Class | F |
| Inverter Code | Inverter Duty |
| IP Rating | NONE |
| KVA Code | L |
| Lifting Lugs | No Lifting Lugs |
| Locked Bearing Indicator | Locked Bearing |
| Max Speed | 5400 rpm |
| Motor Lead Termination | Flying Leads |
| Motor Standards | NEMA |
| Motor Type | 3520M |
| Mounting Arrangement | F1 |
| Number of Poles | 2 |
| Overall Length | 14.33 IN |
| Power Factor | 85 |
| Product Family | General Purpose |
| Pulley Face Code | C-Face |
| Rodent Screen | None |
| Service Factor | 1.00 |
| Shaft Diameter | 0.875 IN |
| Shaft Ground Indicator | No Shaft Grounding |
| Shaft Rotation | Reversible |
| Speed | 3500 rpm |
| Speed Code | Single Speed |
| Starting Method | Direct on line |
| Thermal Device - Bearing | None |
| Thermal Device - Winding | Normally Closed Thermostat |
| Vibration Sensor Indicator | No Vibration Sensor |
| Winding Thermal 1 | None |

Winding Thermal 2

None

XP Temp Code

T3C

Nameplate

NP0887XPSLEV

| | | | | | |
|----------------|------------------------|-------------------|--------------|-----------------|-----|
| NO. | | CC | 010A | | |
| S/N | | TEMP CODE | T3C | | |
| SPEC. | 35-0000-1046 | INV.TYPE | PWM | | |
| CAT.NO. | VXM141522T | C HP FR | 60 | C HP TO | 90 |
| HP | 1.5//1 | CT HZ FROM | 6 | CT HZ TO | 60 |
| VOLTS | 230/460//190/380 | VT HZ FROM | 6 | VT HZ TO | 60 |
| AMPS | 3.8/1.9//3.4/1.7 | MAG CUR | 1.8/.9 | | |
| RPM | 3500//2900 | MX RPM | 5400 | | |
| HZ | 60//50 | PH | 3 | CL | F |
| | | NOM.EFF. | 84 | | |
| SER.F. | 1.00 | DES | B | SL HZ | 1.7 |
| | | WK2 | 0.06 | | |
| FRAME | 143TC | RATING | 40C AMB-CONT | | |
| | NEMA MG-1 PART 5, IP54 | | | | |
| | 1.15 SF ON SINE WAVE | | | | |

AC Induction Motor Performance Data

Record # 73829

Typical performance - not guaranteed values

| Winding: 35WGM760-R091 | | Type: 3520M | | Enclosure: XPFC | |
|-------------------------------|-------------------|----------------------------|--|---------------------------|--|
| Nameplate Data | | | 460 V, 60 Hz: High Voltage, High Speed Connection | | |
| Rated Output (HP) | 1.5//1 | Full Load Torque | 2.23 LB-FT | | |
| Volts | 230/460//190/380 | Start Configuration | direct on line | | |
| Full Load Amps | 3.8/1.9//3.4/1.7 | Breakdown Torque | 9.38 LB-FT | | |
| R.P.M. | 3500//2900 | Pull-up Torque | 3.61 LB-FT | | |
| Hz | 60//50 | Locked-rotor Torque | 7.35 LB-FT | | |
| NEMA Design Code | B KVA Code | L | Starting Current | 17.9 A | |
| Service Factor (S.F.) | | 1 | No-load Current | 0.951 A | |
| NEMA Nom. Eff. | 84 | Power Factor | 85 | | |
| Rating - Duty | 40C AMB-CONT | | Temp. Rise @ Rated Load | 46°C | |
| | | | Locked-rotor Power Factor | 60.1 | |
| | | | Rotor inertia | 0.0553 LB-FT ² | |

Load Characteristics 460 V, 60 Hz, 1.5 HP

| % of Rated Load | 25 | 50 | 75 | 100 | 125 | 150 |
|------------------------|-----------|-----------|-----------|------------|------------|------------|
| Power Factor | 50 | 70 | 81 | 87 | 90 | 91 |
| Efficiency | 61.4 | 74.1 | 78.3 | 80 | 80.3 | 79.3 |
| Speed | 3569 | 3545 | 3519 | 3491 | 3459 | 3425 |
| Line amperes | 1.08 | 1.32 | 1.63 | 2 | 2.41 | 2.9 |

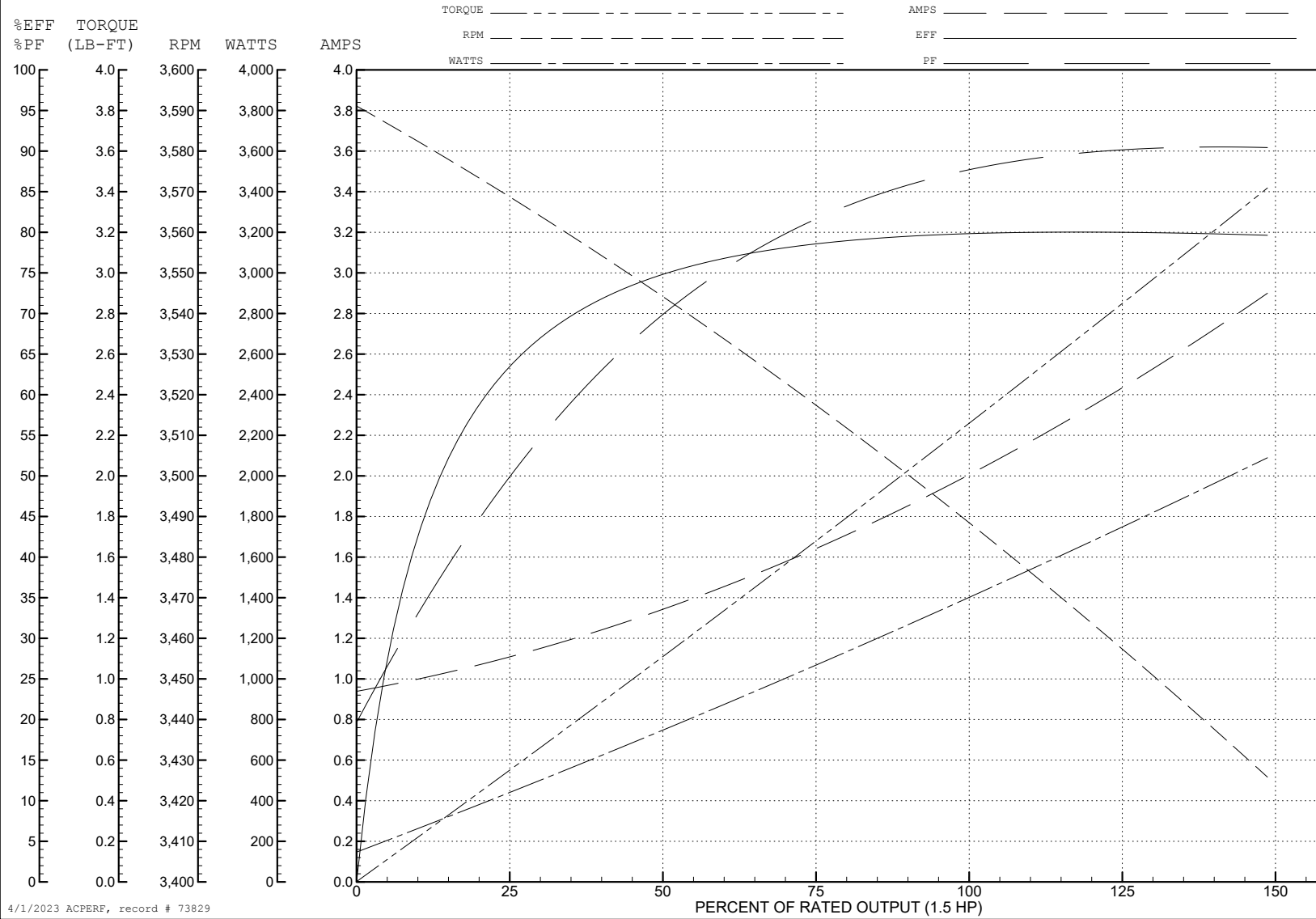
ABB Motors and Mechanical Inc.

WINDING # 35WGM760

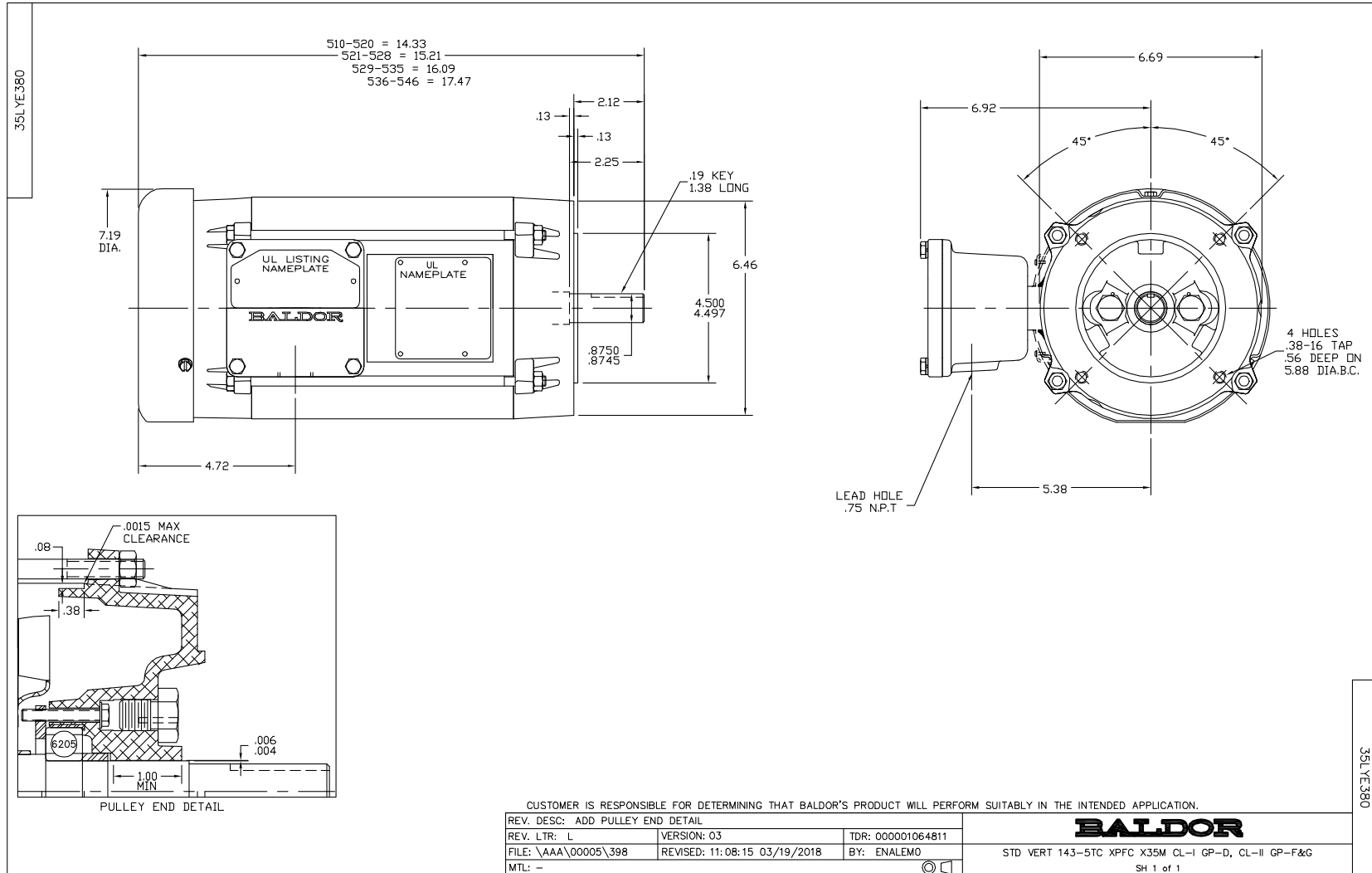
Typical performance - not guaranteed values.

1.5 HP 3 PH 60 HZ 3491 RPM 460 V 3520M

TORQUES (LB-FT): PO=9.38 PU=3.61 LR=7.35 LRA=17.9



4/1/2023 ACPERF, record # 73829



CD0005



LOW VOLTAGE
(2Y)



LINE

HIGH VOLTAGE
(1Y)



LINE

NOTES:

1. INTERCHANGE ANY TWO LINE LEADS TO REVERSE ROTATION.
2. OPTIONAL THERMOSTATS ARE PROVIDED WHEN SPECIFIED.
3. ACTUAL NUMBER OF INTERNAL PARALLEL CIRCUITS MAY BE A MULTIPLE OF THOSE SHOWN ABOVE.
4. LEAD COLORS ARE OPTIONAL. LEADS MUST ALWAYS BE NUMBERED AS SHOWN.

| | | | |
|---|---------|-------------------------|--------------|
| REV. DESC: REVISE TO SHOW OPTIONAL COLORS | | | |
| REV. LTR: E | BY: JLP | REVISED: 01/19/99 10:15 | TDR: 0171435 |
| S00000 | | FILE: AAA00005140 | MDL: - |
| | | MTL: - | |

BALDOR ELECTRIC Co.

3PH, DV, 9 LEADS

CD0005