



Customer information packet

VXM050522A

.5HP, 3450RPM, 3PH, 60HZ, 56C, 3410M, XPFC, F1
Class - CLI GP D; CLII GP F,G
Division - Division I

Specifications

| | |
|--------------------------------|---|
| Enclosure | XPFC |
| Frame | 56C |
| Frame Material | Steel |
| Frequency | 60.00 Hz |
| Motor Letter Type | Three Phase |
| Output @ Frequency | .500 HP @ 60 HZ |
| Phase | 3 |
| Synchronous Speed @ Frequency | 3600 RPM @ 60 HZ |
| Voltage @ Frequency | 460.0 V @ 60 HZ 208.0 V @ 60 HZ 230.0 V @ 60 HZ |
| XP Class and Group | CLI GP D; CLII GP F,G |
| XP Division | Division I |
| Agency Approvals | CSA UR |
| Ambient Temperature | 40 °C |
| Auxillary Box | No Auxillary Box |
| Auxillary Box Lead Termination | None |
| Base Indicator | No Mounting |
| Bearing Grease Type | Polyrex EM (-20F +300F) |
| Blower | None |
| Current @ Voltage | 1.100 A @ 460.0 V 2.200 A @ 230.0 V 2.400 A @ 208.0 V |
| Design Code | B |
| Drip Cover | No Drip Cover |
| Duty Rating | CONT |
| Efficiency @ 100% Load | 68.0 % |
| Electrically Isolated Bearing | Not Electrically Isolated |
| Feedback Device | NO FEEDBACK |
| Heater Indicator | No Heater |
| High Voltage Full Load Amps | 1.1 a |

Part detail

| | |
|--------------|------------|
| Revision | C |
| Type | AC |
| Mech. spec. | |
| Base | |
| Status | PRD/A |
| Elec. spec. | 34WG3302 |
| Layout | 34LY5336 |
| Eff. date | 07-01-2022 |
| CD Diagram | CD0007 |
| Poles | 02 |
| Leads | 12#18 |
| Proprietary | False |
| Created date | 03-04-2021 |

| | |
|-----------------------------------|----------------------------|
| Insulation Class | B |
| Inverter Code | Not Inverter |
| IP Rating | NONE |
| KVA Code | L |
| Lifting Lugs | No Lifting Lugs |
| Locked Bearing Indicator | No Locked Bearing |
| Motor Lead Termination | Flying Leads |
| Motor Standards | NEMA |
| Motor Type | 3410M |
| Mounting Arrangement | F1 |
| Number of Poles | 2 |
| Power Factor | 63 |
| Product Family | General Purpose |
| Pulley Face Code | C-Face |
| Rodent Screen | None |
| Service Factor | 1.00 |
| Shaft Diameter | 0.625 IN |
| Shaft Ground Indicator | No Shaft Grounding |
| Shaft Rotation | Reversible |
| Speed | 3450 rpm |
| Speed Code | Single Speed |
| Starting Method | Direct on line |
| Thermal Device - Bearing | None |
| Thermal Device - Winding | None |
| Vibration Sensor Indicator | No Vibration Sensor |
| Winding Thermal 1 | Automatic Thermal Overload |
| Winding Thermal 1 Location | EP |
| Winding Thermal 2 | None |
| XP Temp Code | T3C |

Nameplate

| NP0016XPSL | | | | | |
|-----------------------|------------------------|----------------------|-----|--------------|---|
| NO. | | CC | | | |
| SER. # | | | | | |
| SPEC | 34-0000-0395 | | | | |
| CAT.NO. | VXM050522A | | | | |
| H.P. | .5 34WG3302 | T. CODE | T3C | | |
| VOLTS | 208-230/460 | | | | |
| AMPS | 2.4-2.2/1.1 | | | | |
| R.P.M. | 3450 | | | | |
| HZ | 60 | PH | 3 | CLASS | B |
| SER.F. | 1.00 | DES | B | CODE | L |
| RATING | 40C AMB-CONT | | | | |
| FRAME | 56C | NEMA NOM. EFF | 68 | | |
| USABLE AT 208V | | PF | 63 | | |
| BLANK | NEMA MG-1 PART 5, IP54 | | | | |

AC Induction Motor Performance Data

Record # 6680

Typical performance - not guaranteed values

| Winding: 34WG3302-R002 | | Type: 3410M | Enclosure: XPFC | |
|------------------------|-----------------|---------------------------|--|--|
| Nameplate Data | | | 460 V, 60 Hz: High Voltage Connection | |
| Rated Output (HP) | .5 | Full Load Torque | 0.75 LB-FT | |
| Volts | 208-230/460 | Start Configuration | direct on line | |
| Full Load Amps | 2.4-2.2/1.1 | Breakdown Torque | 3.4 LB-FT | |
| R.P.M. | 3450 | Pull-up Torque | 2.7 LB-FT | |
| Hz | 60 Phase | Locked-rotor Torque | 3 LB-FT | |
| NEMA Design Code | B KVA Code | Starting Current | 6 A | |
| Service Factor (S.F.) | 1 | No-load Current | 0.9 A | |
| NEMA Nom. Eff. | 68 Power Factor | Line-line Res. @ 25°C | 35.1 Ω | |
| Rating - Duty | 40C AMB-CONT | Temp. Rise @ Rated Load | 58°C | |
| | | Locked-rotor Power Factor | 78 | |
| | | Rotor inertia | 0.0093 LB-FT ² | |

Load Characteristics 460 V, 60 Hz, 0.5 HP

| % of Rated Load | 25 | 50 | 75 | 100 | 125 | 150 |
|-----------------|------|------|------|------|------|------|
| Power Factor | 33 | 44 | 56 | 64 | 70 | 77 |
| Efficiency | 41.4 | 56.3 | 64 | 67.2 | 68.4 | 68.5 |
| Speed | 3563 | 3535 | 3501 | 3466 | 3432 | 3381 |
| Line amperes | 0.91 | 0.97 | 1.01 | 1.1 | 1.2 | 1.33 |

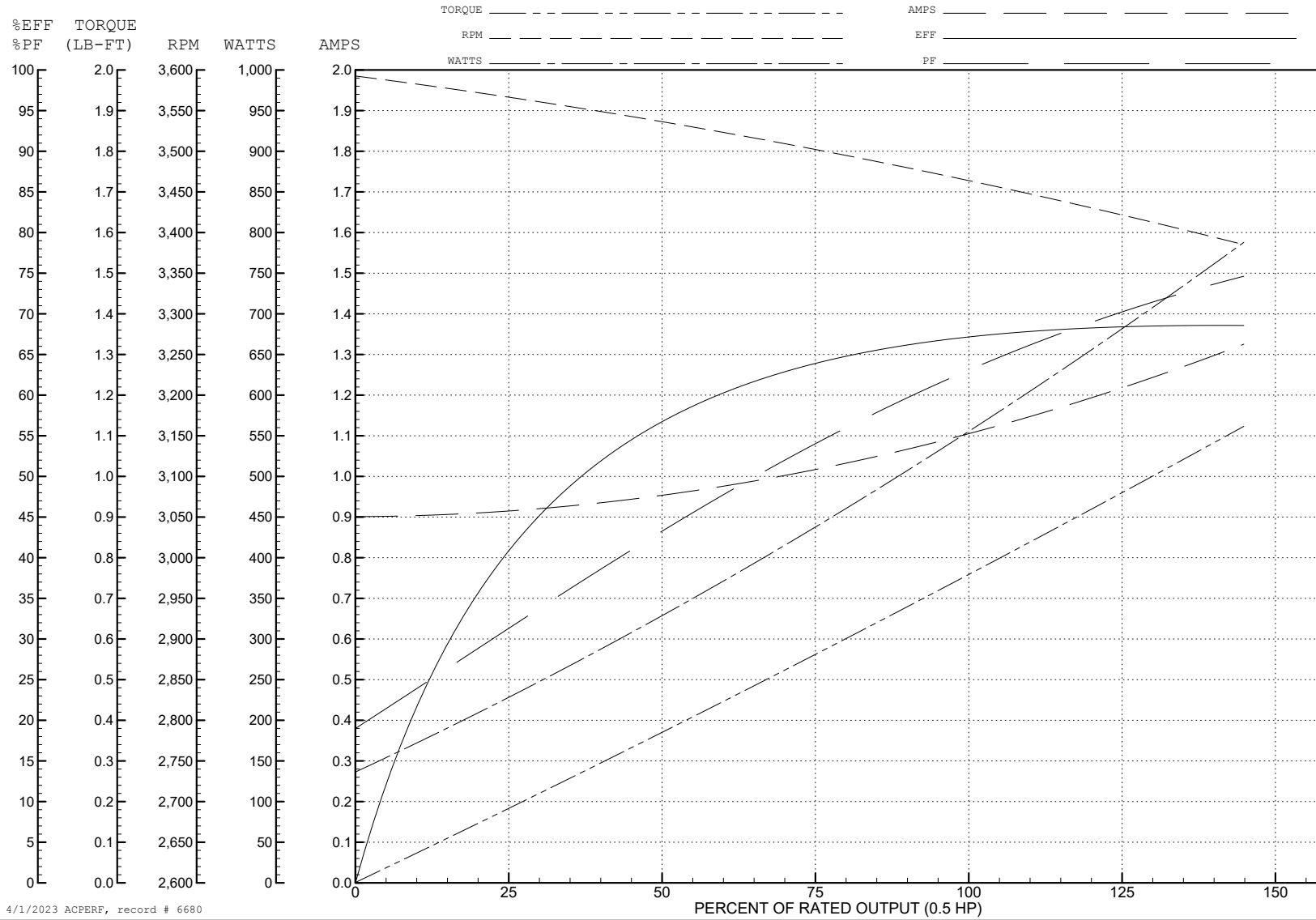
ABB Motors and Mechanical Inc.

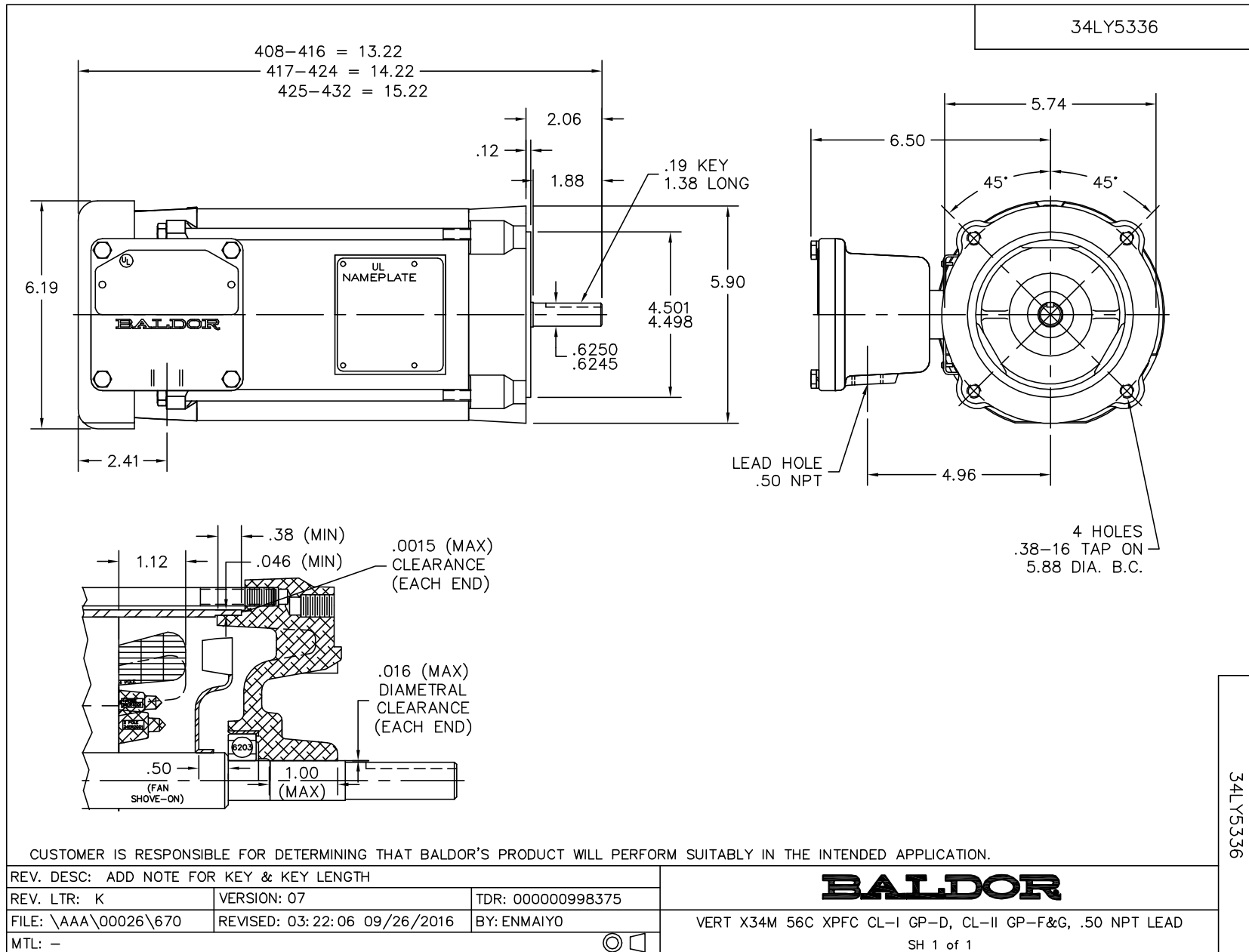
WINDING # 34WG3302

0.5 HP 3 PH 60 HZ 3450 RPM 460 V 3410M

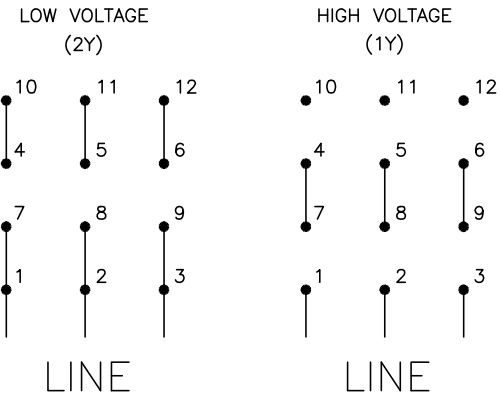
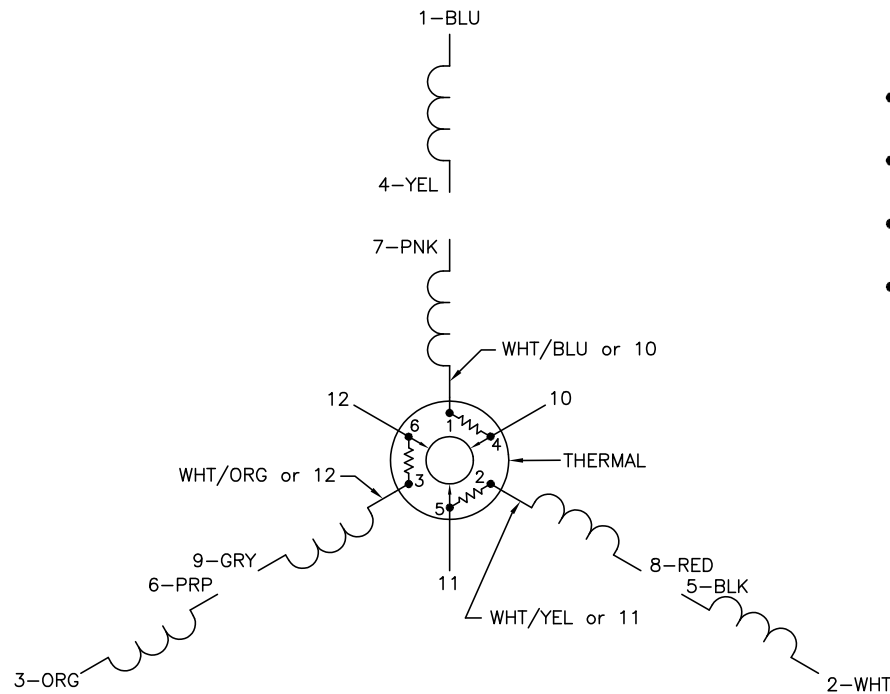
Typical performance - not guaranteed values.

TORQUES (LB-FT): PO=3.4 PU=2.7 LR=3 LRA=6





CD0007



NOTES:

1. INTERCHANGE ANY TWO LINE LEADS TO REVERSE ROTATION.
2. ACTUAL NUMBER OF INTERNAL PARALLEL CIRCUITS MAY VARY.
3. LEAD COLORS ARE OPTIONAL. LEADS MUST ALWAYS BE NUMBERED AS SHOWN.

CD0007

| | | | |
|----------------------------------|---------|------------------------|--------------|
| REV. DESC: ADDED "CK" PLANT CODE | | | |
| REV. LTR: E | BY: EAH | REVISED: 05/06/99 17:1 | TDR: 0181040 |
| L00000 | | FILE: AAA00008370 | MDL: - |
| | | MTL: - | |

BALDOR ELECTRIC Co.

3PH, DV, THERMAL, 12 LEADS