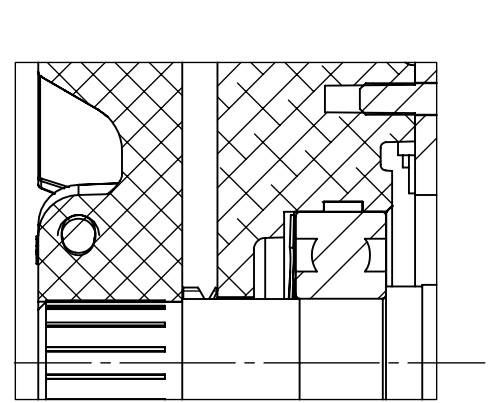
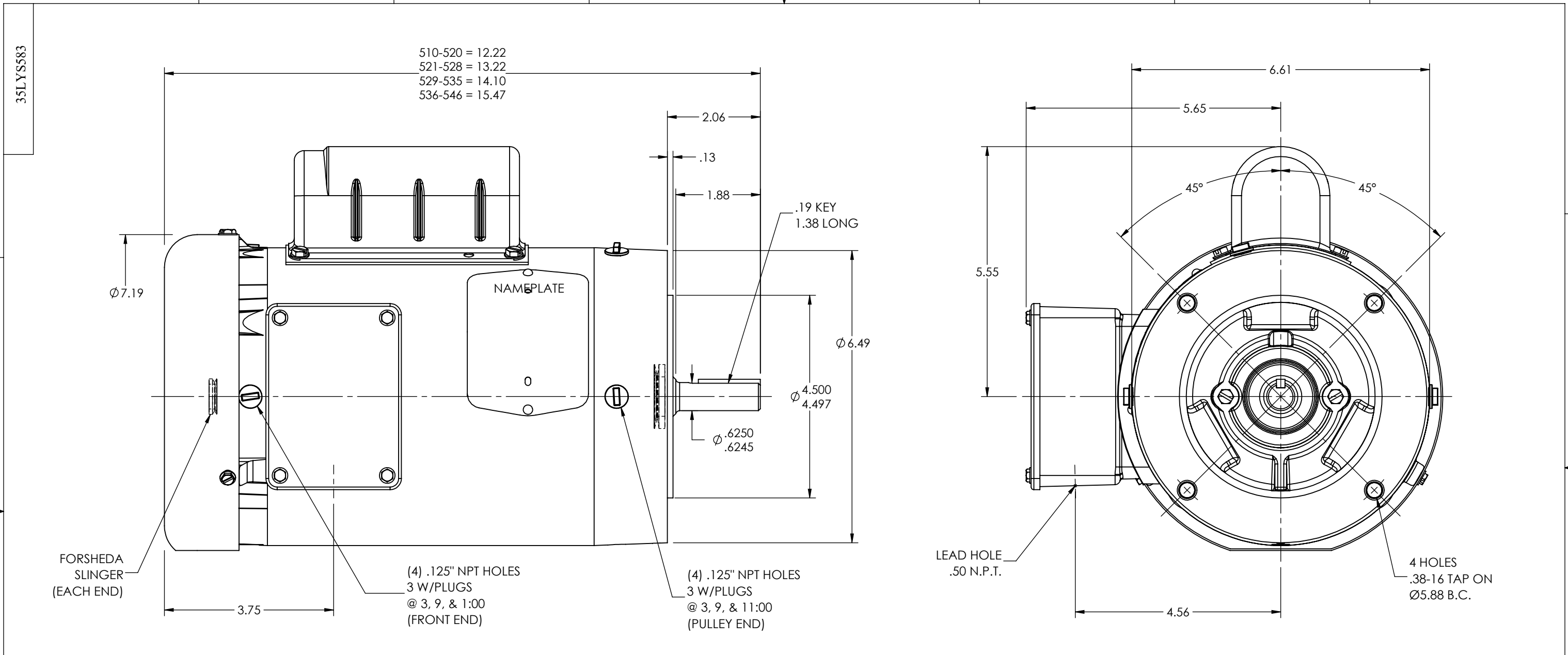
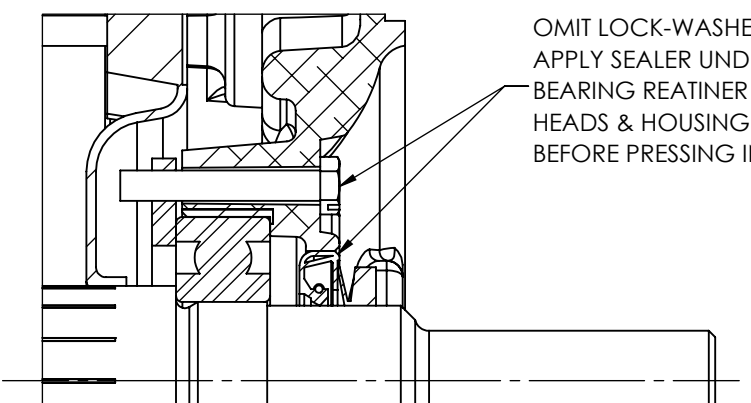


8 7 6 5 4 3 2 1



FRONT END DETAIL



PULLEY END DETAIL

OMIT LOCK-WASHERS &
 APPLY SEALER UNDER
 BEARING RETAINER SCREW
 HEADS & HOUSING O.D.
 BEFORE PRESSING IN SEAL

CUSTOMER IS RESPONSIBLE FOR DETERMINING THAT THE PRODUCT WILL PERFORM SUITABLY IN THE INTENDED APPLICATION

REV. DESC: UPDATE 3D MODEL BOM PER REV AA, NO CHG TO 2D PRINT			
REV: H	VERSION: 08	REVISED: 10:56:22 04/07/2022	TDR: 000001188385
MODEL NO. 35LYS583		REF: -	
BY: USBUFRA		B	

BALDOR - RELIANCE®

STD VERT 56C TEFC 35L WD (S/P #9)
 SH 1 of 1

8 7 6 5 4 3 2 1

35LYS583