

BALDOR • RELIANCE

Customer information packet

VUHM3538-5

.5/37KWHP, 1770RPM, 3PH, 60HZ, 56C, 3512M, TEF

Class - None

Division - Not Applicable

Specifications

Enclosure	TEFC
Frame	56C
Frame Material	Steel
Frequency	60.00 Hz
Haz Area Class and Group	None
Haz Area Division	Not Applicable
Motor Letter Type	Three Phase
Output @ Frequency	.500 HP @ 60 HZ
Phase	3
Synchronous Speed @ Frequency	1800 RPM @ 60 HZ
Voltage @ Frequency	575.0 V @ 60 HZ
Agency Approvals	CSA UR WEEE CE
Ambient Temperature	40 °C
Auxillary Box	No Auxillary Box
Auxillary Box Lead Termination	None
Base Indicator	No Mounting
Bearing Grease Type	Polyrex EM (-20F +300F)
Blower	None
Current @ Voltage	.770 A @ 575.0 V
Design Code	B
Drip Cover	No Drip Cover
Duty Rating	CONT
Efficiency @ 100% Load	80.0 %
Electrically Isolated Bearing	Not Electrically Isolated
Feedback Device	NO FEEDBACK
Front Shaft Indicator	None
Heater Indicator	No Heater
High Voltage Full Load Amps	0.8 a
Insulation Class	F

Part detail

Revision	B
Type	AC
Mech. spec.	35X042
Base	
Status	PRD/A
Elec. spec.	35WGG200
Layout	35LYX042
Eff. date	04-16-2024
CD Diagram	CD0006
Poles	04
Leads	3#18
Proprietary	False
Created date	03-11-2022

Inverter Code	Not Inverter
KVA Code	M
Lifting Lugs	No Lifting Lugs
Locked Bearing Indicator	Locked Bearing
Motor Lead Quantity/Wire Size	3 @ 18 AWG
Motor Lead Termination	Flying Leads
Motor Standards	NEMA
Motor Type	3512M
Mounting Arrangement	F3
Number of Poles	4
Overall Length	13.23 IN
Power Factor	62
Product Family	General Purpose
Pulley End Bearing Type	Ball
Pulley Face Code	C-Face
Pulley Shaft Indicator	Standard
Rodent Screen	None
Service Factor	1.15
Shaft Diameter	0.625 IN
Shaft Ground Indicator	No Shaft Grounding
Shaft Rotation	Reversible
Shaft Slinger Indicator	No Slinger
Speed	1770 rpm
Speed Code	Single Speed
Starting Method	Direct on line
Thermal Device - Bearing	None
Thermal Device - Winding	None
Vibration Sensor Indicator	No Vibration Sensor
Winding Thermal 1	None
Winding Thermal 2	None

Nameplate

NP1372L									
CAT.NO.	VUHM3538-5								
SPEC.	35X042G200G1								
HP	.5/37KW								
VOLTS	575								
AMP	0.77								
R.P.M. (1/MIN)	1770								
FRAME	56C		HZ	60		PH	3		
SER.F.	1.15	CODE	M	DES	B	CL	F		
NEMA-NOM-EFF	80	PF	62						
RATING	40C AMB-CONT								
CC		IP44 IC411 16KG							
DE	6205	ODE	6203						
ENCL	TEFC	SN							
	SFA .83								

AC Induction Motor Performance Data

Record # 82252

Typical performance - not guaranteed values

Winding: 35WGG200-R002		Type: 3512M	Enclosure: TEFC		
Nameplate Data			575 V, 60 Hz: Single Voltage Motor		
Rated Output (HP)	.5	Full Load Torque	1.49 LB-FT		
Volts	575	Start Configuration	direct on line		
Full Load Amps	.77	Breakdown Torque	6.26 LB-FT		
R.P.M.	1770	Pull-up Torque	3.25 LB-FT		
Hz	60	Phase	3	Locked-rotor Torque	4.02 LB-FT
NEMA Design Code	B	KVA Code	M	Starting Current	5.36 A
Service Factor (S.F.)	1.25	No-load Current	0.636 A		
NEMA Nom. Eff.	80	Power Factor	62	Line-line Res. @ 25°C	68 Ω
Rating - Duty	40C	AMB-CONT	Temp. Rise @ Rated Load		22°C
S.F. Amps	.87	Temp. Rise @ S.F. Load		27°C	
			Locked-rotor Power Factor	71	
			Rotor inertia	0.0866 lb-ft ²	

Load Characteristics 575 V, 60 Hz, 0.5 HP

% of Rated Load	25	50	75	100	125	150	S.F.
Power Factor	27	41	52	62	69	75	69
Efficiency	56.2	70.6	76.3	78.9	79.9	79.8	79.9
Speed	1792	1786	1779	1771	1763	1755	1763
Line amperes	0.638	0.664	0.713	0.774	0.85	0.946	0.85

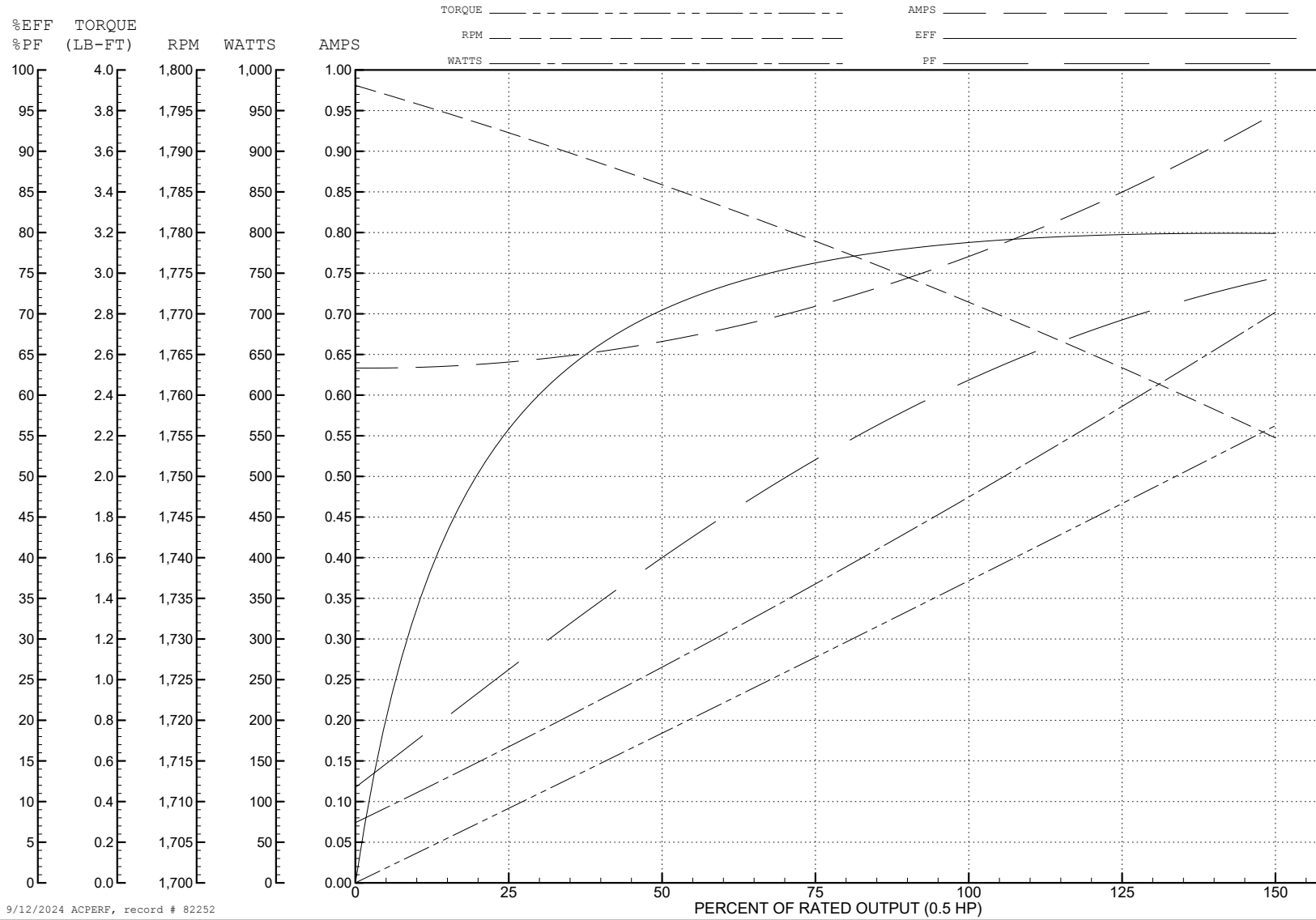
ABB Motors and Mechanical Inc.

WINDING # 35WGG200

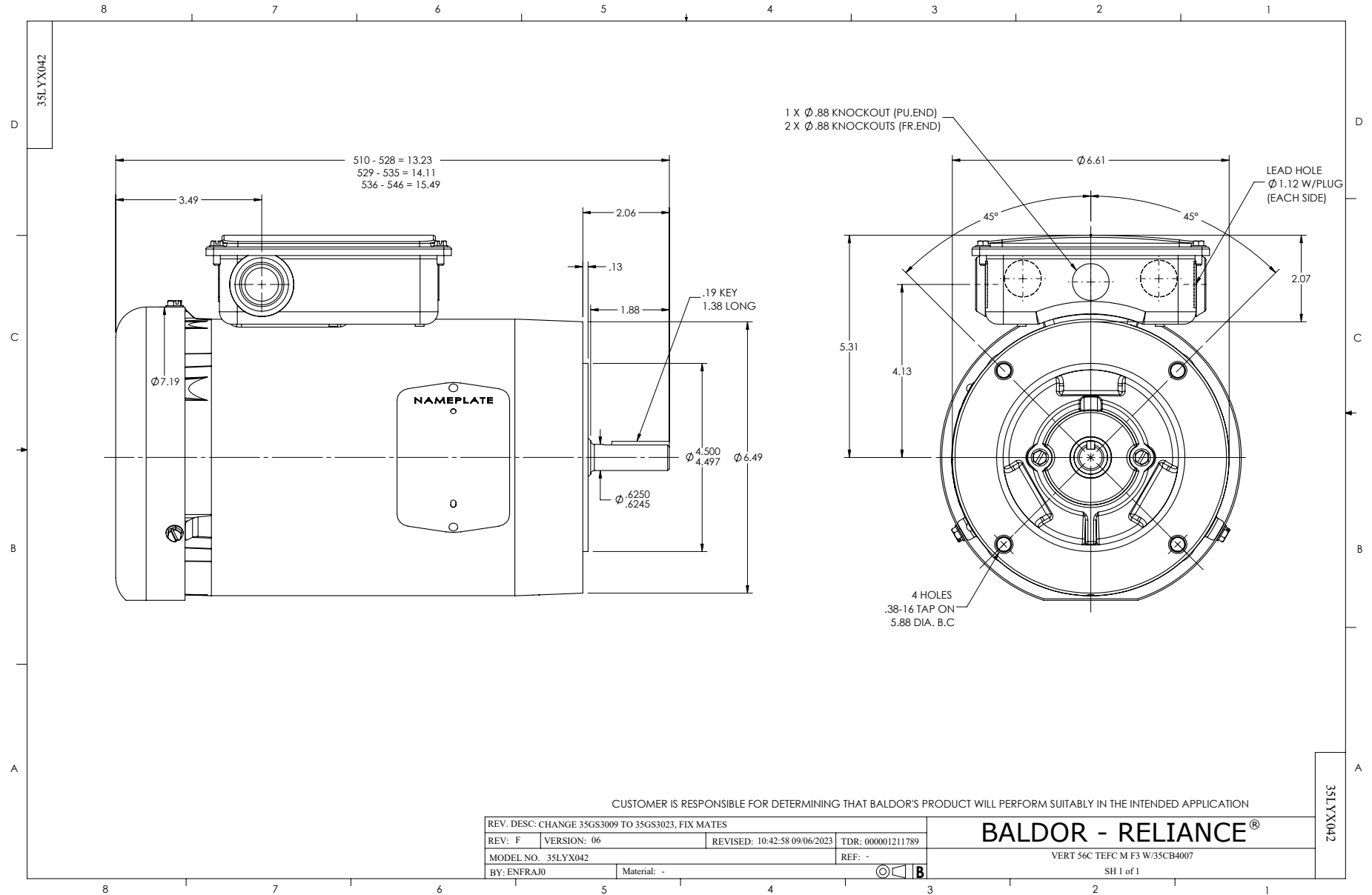
0.5 HP 3 PH 60 HZ 1770 RPM 575 V 3512M

Typical performance - not guaranteed values.

TORQUES (LB-FT): PO=6.26 PU=3.25 LR=4.02 LRA=5.36



9/12/2024 ACPERF, record # 82252



CD0006



NOTES:

1. THREE LEAD MOTOR MAY BE EITHER WYE CONNECTED OR DELTA CONNECTED.
2. INTERCHANGE ANY TWO LINE LEADS TO REVERSE ROTATION.
3. OPTIONAL THERMOSTATS ARE PROVIDED WHEN SPECIFIED.
4. ACTUAL NUMBER OF INTERNAL PARALLEL CIRCUITS MAY VARY.
5. LEAD COLORS ARE OPTIONAL. LEADS MUST BE NUMBERED AS SHOWN.

CD0006

REV. DESC: ADD CLASS CONN00000007		
REV. LTR: E	VERSION: 01	TDR: 000001099922
FILE: \AAA\00005\141	REVISED: 10:24:49 02/19/2019	BY: ENBRIRO
MTL: -	© □	

BALDOR - RELIANCE®

3PH, SV, 3 LEADS, WYE OR DELTA CONNECTED

SH 1 of 1