

BALDOR • RELIANCE

Customer information packet

VPECP84313T-4

75HP, 3555RPM, 3PH, 60HZ, 365VP, TEFC, V1

Class - None

Division - Division II

Copyright © All product information within this document is subject to ABB Motors and Mechanical Inc. copyright © protection, unless otherwise noted.

3/28/2023 7:05:35 AM

Specifications

Enclosure	TEFC
Frame	365LP
Frame Material	Iron
Frequency	60.00 Hz
Motor Letter Type	Three Phase
Output @ Frequency	75.000 HP @ 60 HZ
Phase	3
Synchronous Speed @ Frequency	3600 RPM @ 60 HZ
Voltage @ Frequency	460.0 V @ 60 HZ
XP Class and Group	None
XP Division	Division II
Agency Approvals	CCSA US NEMA PREMIUM UR
Ambient Temperature	40 °C
Auxillary Box	No Auxillary Box
Base Indicator	No Mounting
Bearing Grease Type	Polyrex EM (-20F +300F)
Constant Torque Speed Range	15-60
Current @ Voltage	81.500 A @ 460.0 V
Design Code	B
Drip Cover	Drip Cover
Duty Rating	CONT
Efficiency @ 100% Load	93.6 %
Enclosure Modification	841
Feedback Device	NO FEEDBACK
Heater Indicator	No Heater
High Voltage Full Load Amps	81.5 a
Insulation Class	F
Inverter Code	Inverter Ready
IP Rating	IP56
KVA Code	G

Part detail

Revision	C
Type	AC
Mech. spec.	
Base	
Status	PRD/A
Elec. spec.	A36WG1544
Layout	617428-660
Eff. date	09-13-2021
CD Diagram	416820-036
Poles	02
Leads	3#2
Proprietary	False
Created date	02-28-2019

Lifting Lugs	Vertical Lifting Lugs
Motor Lead Quantity/Wire Size	3 @ 2 AWG
Motor Standards	NEMA
Motor Type	A36068M
Mounting Arrangement	V1
No Load Current	15.5 a
Number of Poles	2
Overall Length	37.27 IN
Power Factor	92
Product Family	Pump - Centrifugal
Pulley End Bearing Type	Ball
Service Factor	1.15
Shaft Diameter	2.124 IN
Shaft Ground Indicator	No Shaft Grounding
Shaft Rotation	Reversible
Shaft Slinger Indicator	No Slinger
Speed	3555 rpm
Speed Code	Single Speed
Starting Method	Direct on line
Thermal Device - Winding	None
XP Temp Code	T3

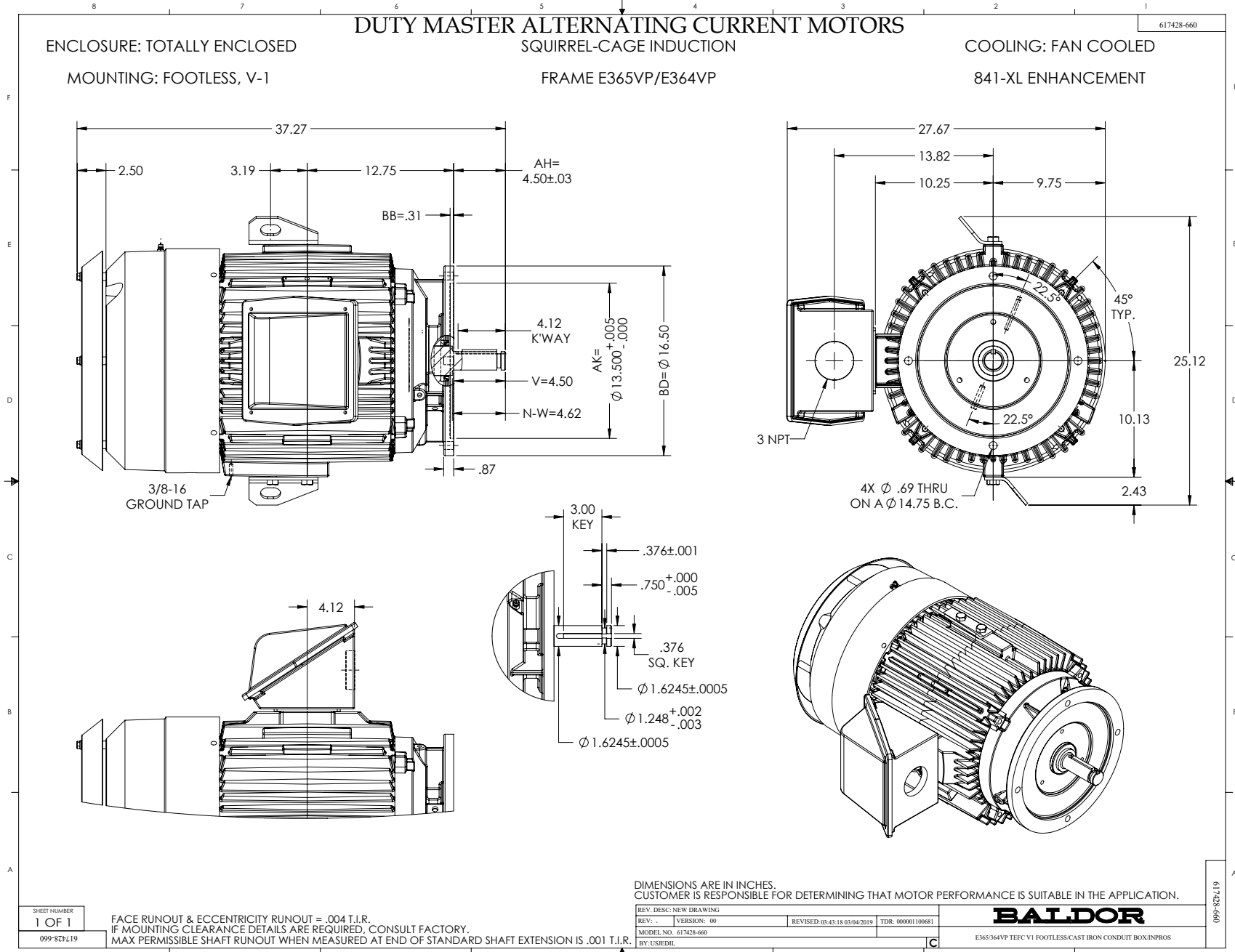
Nameplate

000613007EX

CAT NO	VPECP84313T-4	SPEC NO.	A36-9017-1544	
NO. ROTOR BARS	38	GREASE TYPE	POLYREX EM	
NO. SLOTS	48	NL AMPS AT RATED VOLTAGE	15.5	
5 YEAR WARRANTY		WINDING RES @25 C	.0744	OHMS
MFG. DATE		SER.NO		
	SFA 94.3			

NP3237

CAT NO	VPECP84313T-4	SPEC NO.	A36-9017-1544						
HP	75	AMPS	81.5	VOLTS	460	DESIGN	B		
FRAME SIZE	365VP	RPM	3555	HZ	60	AMB	40	SF	1.15
D.E. BRG.DATA	6313	O.D.E. BRG.DATA	7310	PH	3	DUTY	CONT	INSUL.CLASS	F
D.E. BRG.	65BC03JP30X	ENCL	TEFC	CODE	G				
O.D.E. BRG.	BA2B_459310	POWER FACTOR	92	NEMA-NOM-EFFICIENCY	93.6				
3/4 LOAD EFF.	94.0	IP	56	MAX CORR KVAR	5	GUARANTEED EFFICIENCY	92.4		
TEMP CODE	T3	TEMP =	200						
CHP HZ	60-75	CT HZ	15-60	VT HZ	0-60				
INVERTER-TEMP-CODE	T3								
SER.NO.		MOTOR WEIGHT							



416820-036

A-C MOTOR
CONNECTION DIAGRAM
STANDARD 3 LEAD CONNECTED



(N.P. 1575-BA)

416820-036

REV. DESC: LOADED TO BUS, C/R 335225		
REV. LTR: -	VERSION: 00	TDR: 000000538207
FILE: \MGA\00000\682	REVISED: 11:54:06 04/30/2010	
MTL: -	BY: RAGRA	

BALDOR

CONN DIAG - STANDARD 3 LEAD
SH 1 of 1