

BALDOR • RELIANCE

Customer information packet

VPECP4314T

60HP, 1780RPM, 3PH, 60HZ, 364VP, A3658M, TEFC

Class - None

Division - Division II

Specifications

Enclosure	TEFC
Frame	364VP
Frame Material	Iron
Frequency	60.00 Hz
Haz Area Class and Group	None
Haz Area Division	Division II
Motor Letter Type	Three Phase
Output @ Frequency	60.000 HP @ 60 HZ
Phase	3
Synchronous Speed @ Frequency	1800 RPM @ 60 HZ
Voltage @ Frequency	230.0 V @ 60 HZ 460.0 V @ 60 HZ
Agency Approvals	CSA EEV
Ambient Temperature	40 °C
Auxillary Box	No Auxillary Box
Base Indicator	No Mounting
Bearing Grease Type	Polyrex EM (-20F +300F)
Constant Torque Speed Range	10-60
Current @ Voltage	140.000 A @ 230.0 V 152.000 A @ 208.0 V 70.000 A @ 460.0 V
Design Code	B
Drip Cover	Drip Cover
Duty Rating	CONT
Efficiency @ 100% Load	95.0 %
Enclosure Modification	Severe Duty Features
Feedback Device	NO FEEDBACK
Haz Area Temp Code	T3
Heater Indicator	No Heater
High Voltage Full Load Amps	70.0 a
Insulation Class	F
Inverter Code	Inverter Ready

Part detail

Revision	F
Type	AC
Mech. spec.	
Base	
Status	PRD/A
Elec. spec.	A36WG4075
Layout	616555-992
Eff. date	05-22-2023
CD Diagram	CD0180
Poles	04
Leads	3#4,6#6
Proprietary	False
Created date	06-06-2019

IP Rating	IP55
KVA Code	G
Lifting Lugs	Vertical Lifting Lugs
Motor Lead Quantity/Wire Size	3 @ 4 AWG
Motor Standards	NEMA
Motor Type	A3658M
Mounting Arrangement	V1
Number of Poles	4
Overall Length	37.25 IN
Power Factor	84
Product Family	General Industrial
Pulley End Bearing Type	Ball
Pulley Face Code	P-Base
Service Factor	1.15
Shaft Diameter	1.625 IN
Shaft Ground Indicator	No Shaft Grounding
Shaft Rotation	Reversible
Shaft Slinger Indicator	Shaft Slinger
Speed	1780 rpm
Speed Code	Single Speed
Starting Method	Direct on line
Thermal Device - Bearing	None

Nameplate

NP4033LUA

CAT #	VPECP4314T			SER				CC	010A			
SPEC	A36-6173-4075			RATING	40C AMB-CONT							
HZ	VOLTS		AMPS		RPM	HP	CODE	SF	DES	PF	NEMA NOM. EFF	
60	230/460		140/70		1780	60	G	1.15	B	84 %	95 %	%
										%		%
PH	3	CL	F	MAX RPM	2700	MAX CORR KVAR	15	USABLE AT 208V			N/A	A
BRG	DE	6313	ODE	7310	ENCL	TEFC	FR	364VP	IP	55		
GREASE	POLYREX EM						MTR WT	910	LBS			
CL I DIV 2 GRPS A,B,C,D				CL I ZONE 2 GRPS				IIA,IIB,IIC		TEMP T	200	C
INV READY	CT	15-60	HZ	4:1	VT	3-60	HZ	20:1	CHP	60-90	HZ	1.5:1
INV TEMP CL	200	C	USABLE AT			50HZ 50HP 190/380V 138/69A			SF1.0			

AC induction motor performance data

Record #72794 - Typical performance - not guaranteed values

Winding	A36WG4075
Type	A3658M
Enclosure	TEFC

Nameplate data

Rated Output			60
Volts			230/460
Full Load Amps			140/70
R.P.M.			1780
Hz	60	Phase	3
KVA Code			G
S.F.			1.15
NEMA Nom. Eff.	95	Power Factor	84
Duty			CONT
S.F. Amps			

460 V, 60 Hz:

High Voltage Connection

Full Load Torque	176.4 LB-FT
Start Configuration	direct on line
Breakdown Torque	422 LB-FT
Pull-up Torque	276 LB-FT
Locked-rotor Torque	352 LB-FT
Starting Current	462 A
No-load Current	24.8
Line-line Res. @ 25°C	0.10816 Ω
Temp. Rise @ Rated Load	56°C
Temp. Rise @ S.F. Load	70°C
Locked-rotor Power Factor	32.3
Rotor inertia	0

Load Characteristics 460 V, 60 Hz, 60 HP

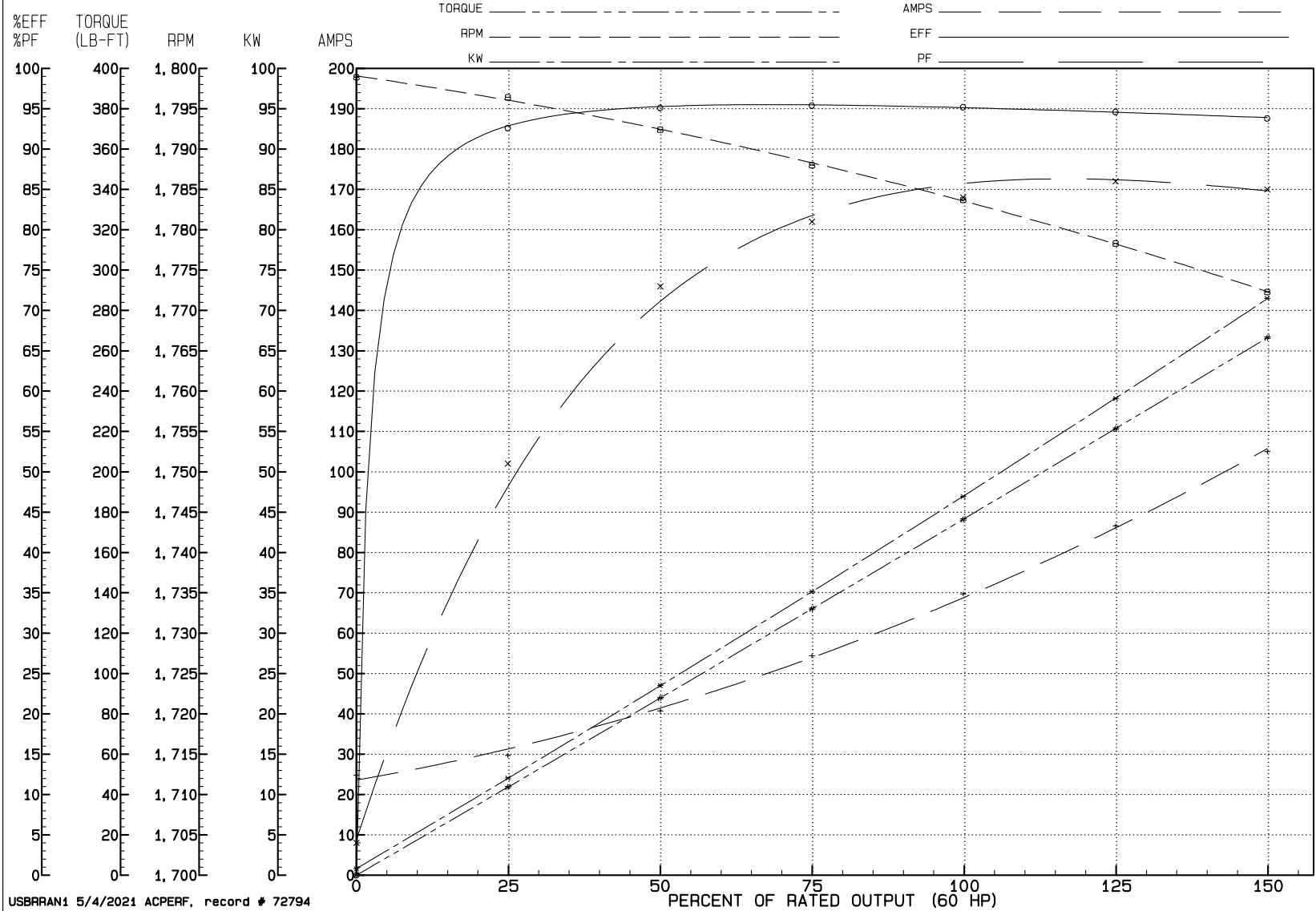
% of Rated Load	NL	25	50	75	100	125	150	SF
Power Factor	4	51	73	81	84	86	85	85
Efficiency	0	92.6	95.1	95.4	95.2	94.6	93.8	94.8
Speed	1798.9	1796.4	1792.4	1788	1783.7	1778.3	1772.3	1780
Line amperes	24.8	29.7	40.7	54.4	69.7	86.6	105	79.8

REVIEW

WINDING # A36WG4075

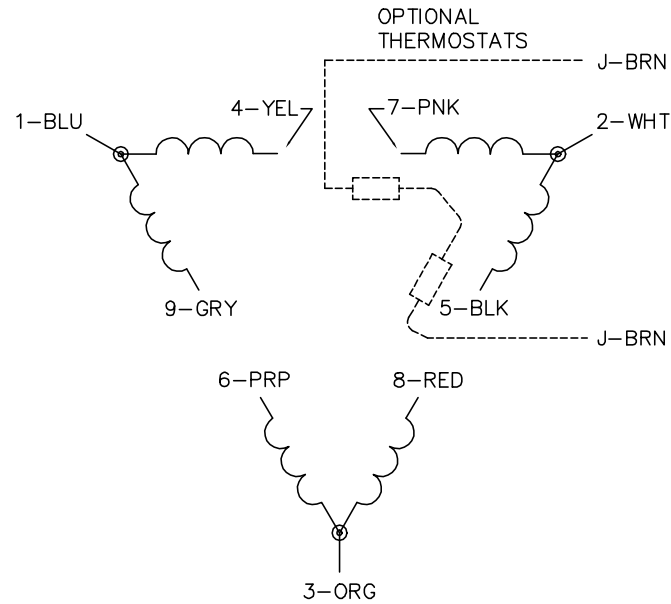
60 HP 3 PH 60 HZ 1780 RPM 460 V A3658M

TORQUES (LB-FT): P0=422.00 PU=276.00 LR=352.00 LRA=462.00



USBRRAN1 5/4/2021 ACPERF, record # 72794

CD0180



LOW VOLTAGE
(2D)



HIGH VOLTAGE
(1D)



NOTES:

1. INTERCHANGE ANY TWO LINE LEADS TO REVERSE ROTATION.
2. OPTIONAL THERMOSTATS ARE PROVIDED WHEN SPECIFIED.
3. ACTUAL NUMBER OF INTERNAL PARALLEL CIRCUITS MAY BE A MULTIPLE OF THOSE SHOWN ABOVE.
4. LEAD COLORS ARE OPTIONAL. LEADS MUST ALWAYS BE NUMBERED AS SHOWN.

CD0180

REV. DESC: ADD CLASS CONN00000007		
REV. LTR: D	VERSION: 01	TDR: 000001099922
FILE: \AAA\00005\148	REVISED: 10: 25: 29 02/19/2019	BY: ENBRIRO
MTL: -	© □	

BALDOR - RELIANCE®

3PH, DV, 9 LEADS, DELTA CONNECTION

SH 1 of 1