

# ABB BALDOR RELIANCE III

---

## Customer information packet

### VP3603D

2.2KW, 1750RPM, DC, D112D, 3649P, TEFC, F1

Class - None

Division -

**Specifications**

|                                      |                            |
|--------------------------------------|----------------------------|
| <b>Armature Voltage</b>              | 180 V                      |
| <b>Base Speed</b>                    | 1750 rpm                   |
| <b>Enclosure</b>                     | TEFC                       |
| <b>Frame</b>                         | D112D                      |
| <b>Frame Material</b>                | Steel                      |
| <b>Haz Area Class and Group</b>      | None                       |
| <b>Output Power</b>                  | 3.000 HP                   |
| <b>Agency Approvals</b>              | CE<br>CSA<br>UR            |
| <b>Ambient Temperature</b>           | 40 °C                      |
| <b>Armature Current</b>              | 14.0 a                     |
| <b>Armature Inertia</b>              | 107.110 lb-ft <sup>2</sup> |
| <b>Base Indicator</b>                | Rigid                      |
| <b>Bearing Grease Type</b>           | Polyrex EM (-20F +300F)    |
| <b>Drip Cover</b>                    | No Drip Cover              |
| <b>Duty Rating</b>                   | CONT                       |
| <b>Feedback Device</b>               | NO FEEDBACK                |
| <b>Frame Prefix</b>                  | D                          |
| <b>Heater Indicator</b>              | No Heater                  |
| <b>Lifting Lugs</b>                  | Standard Lifting Lugs      |
| <b>Motor Lead Exit</b>               | Ko Box                     |
| <b>Motor Lead Quantity/Wire Size</b> | 2 @ 12 AWG                 |
| <b>Motor Lead Termination</b>        | Flying Leads               |
| <b>Motor Standards</b>               | IEC                        |
| <b>Mounting Arrangement</b>          | F1                         |
| <b>Overall Length</b>                | 24.57 IN                   |
| <b>Product Family</b>                | General Purpose            |
| <b>Pulley End Bearing Type</b>       | Sealed Bearing             |
| <b>Service Factor</b>                | 1.00                       |
| <b>Shaft Diameter</b>                | 1.103 IN                   |
| <b>Shaft Extension Location</b>      | Pulley End                 |

**Part Detail**

|                     |            |
|---------------------|------------|
| <b>Revision</b>     | AM         |
| <b>Type</b>         | DC         |
| <b>Mech. spec.</b>  | 36P182     |
| <b>Base</b>         |            |
| <b>Status</b>       | PRD/A      |
| <b>Elec. spec.</b>  | 36WGZ507   |
| <b>Layout</b>       | 36LYP182   |
| <b>Eff. date</b>    | 03-19-2026 |
| <b>CD Diagram</b>   | CD0194     |
| <b>Poles</b>        | 00         |
| <b>Leads</b>        |            |
| <b>Proprietary</b>  | False      |
| <b>Created date</b> | 01-01-0001 |

**Shaft Ground Indicator**

No Shaft Grounding

**Shaft Rotation**

Reversible

**Shaft Slinger Indicator**

No Slinger

---

**Nameplate**

| <b>NP0891L</b> |                 |                 |       |                  |
|----------------|-----------------|-----------------|-------|------------------|
| <b>CAT.NO.</b> | VP3603D         |                 |       |                  |
| <b>SPEC.</b>   | 36P182Z507      |                 |       |                  |
| <b>HP</b>      | 2.2KW           | <b>ENCL</b>     | TEFC  |                  |
| <b>RPM</b>     | 1750 1/MIN      |                 |       |                  |
| <b>FRAME</b>   | D112D           | <b>TYPE</b>     | 3649P |                  |
| <b>ARM V</b>   | 180             | <b>ARM A</b>    | 14    |                  |
| <b>FLD V</b>   |                 | <b>FLD A</b>    |       |                  |
| <b>INSUL</b>   | F               | <b>AMB.</b>     | 40    |                  |
| <b>DUTY</b>    | CONT            | <b>SUPPLY</b>   | K     |                  |
| <b>BRG/DE</b>  | 6206            | <b>BRG/ODE</b>  |       |                  |
| <b>BRUSHES</b> | 2/BP5031A01     |                 |       |                  |
| <b>SER.</b>    | BLANK           |                 |       |                  |
| <b>BLANK</b>   | IP44 IC411 56KG |                 |       |                  |
| <b>APRV-CE</b> | Y               | <b>APRV-CSA</b> | Y     | <b>APRV-UL</b> Y |

**Accessories**

| <b>Part number</b> | <b>Description</b>              | <b>Multiplier</b> |
|--------------------|---------------------------------|-------------------|
| TK3600PM           | TACHO MOUNTING KIT FOR TK3600PM | A8                |

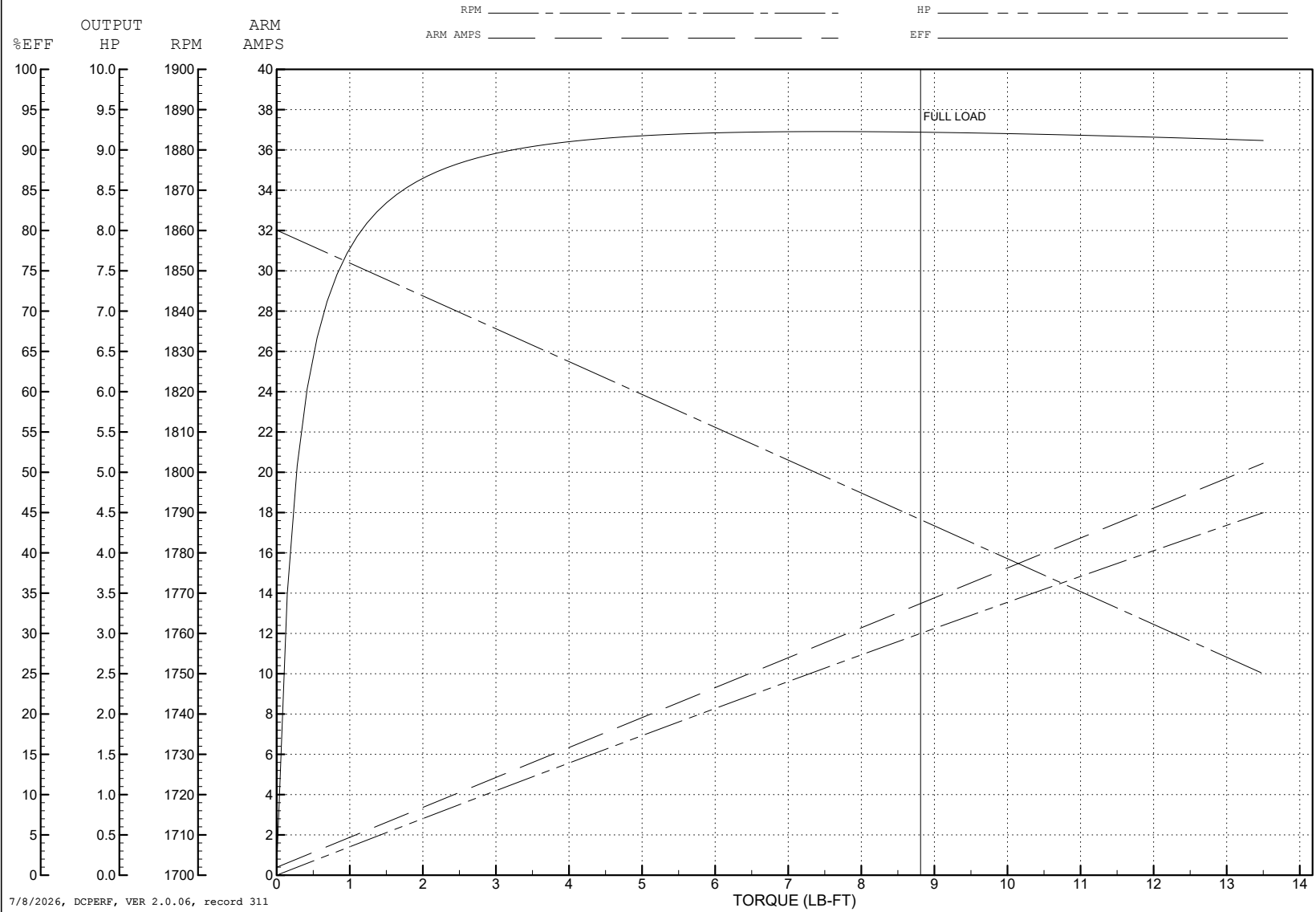
ABB Motors and Mechanical Inc.

WINDING # 36WGZ507

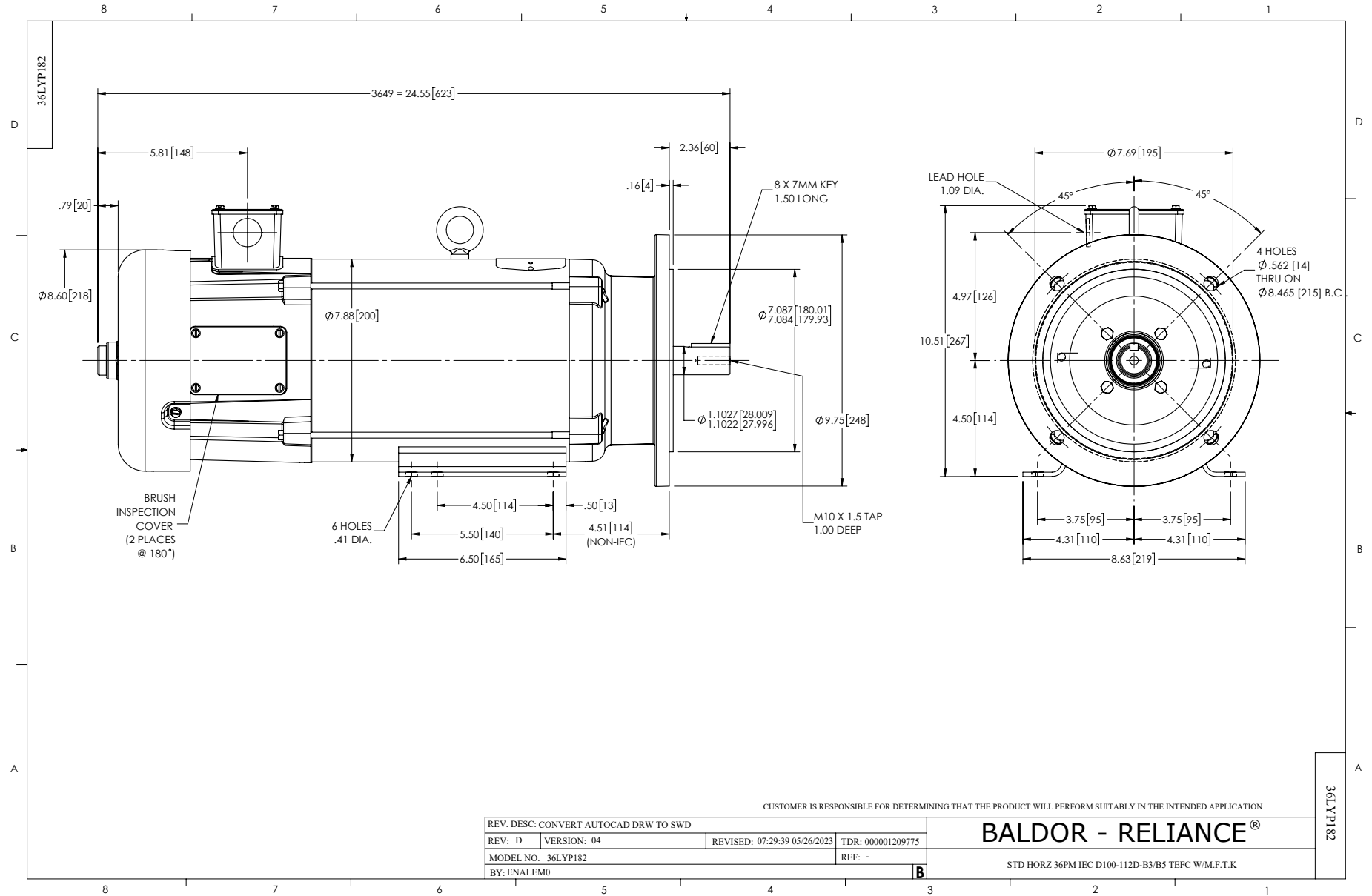
3 HP DC 1750 RPM 180 V 3649P

Typical performance - not guaranteed values.

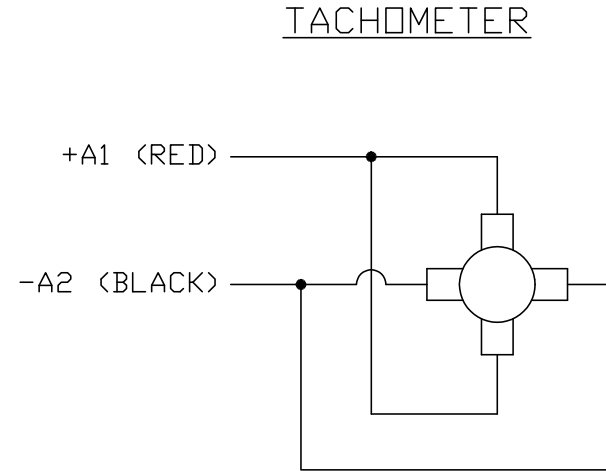
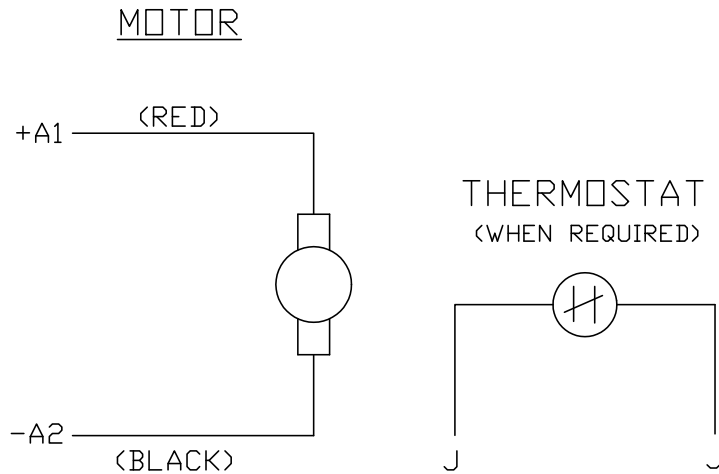
ENCL: TEFC DUTY: CONT CL: F



7/8/2026, DCPERF, VER 2.0.06, record 311



CD0194



NOTES:

1. CCW ROTATION AS SHOWN FACING COMMUTATOR END. TO REVERSE MOTOR ROTATION OR TACHOMETER OUTPUT POLARITY INTERCHANGE LEADS A1(RED) & A2(BLACK)
2. LEAD COLORS FOR REFERENCE ONLY & NOT SPECIFIED BY THIS DRAWING. LEAD COLORS SPECIFIED BY LAYOUT DRAWING & BILL OF MATERIAL ONLY.

|         |  |              |                   |
|---------|--|--------------|-------------------|
| MATL: - |  |              |                   |
| REV: E  | ADDED NOTE "LEAD COLORS FOR REFERENCE ONLY &..." |              |                   |
| CD0194  | SCALE: -   | BY: CK       | REVISED: 07/28/95 |
|         | FILE: AAA00004503                                | TDR: 0078737 |                   |

**BALDOR ELECTRIC Co.**

CD TYPE P DC PERMANENT MAGNET MOTORS AND TACHOMETERS

CD0194