

ABB BALDOR RELIANCE III

Customer information packet

VP3585-14

1.5/2HP, 1750RPM, DC, D90C, 3548P, TEFC, F2

Class - None

Division -

Specifications

Armature Voltage	180 V
Base Speed	1750 rpm
Enclosure	TEFC
Frame	D90C
Frame Material	Steel
Haz Area Class and Group	None
Output Power	2.000 HP
Agency Approvals	CE CSA UR
Ambient Temperature	40 °C
Armature Current	9.6 a
Armature Inertia	40.456 lb-ft ²
Base Indicator	Rigid
Bearing Grease Type	Polyrex EM (-20F +300F)
Drip Cover	No Drip Cover
Duty Rating	CONT
Feedback Device	NO FEEDBACK
Frame Prefix	D
Heater Indicator	No Heater
Lifting Lugs	No Lifting Lugs
Motor Lead Exit	Ko Box
Motor Lead Quantity/Wire Size	2 @ 14 AWG, A
Motor Lead Termination	Flying Leads
Motor Standards	IEC
Mounting Arrangement	B34
Overall Length	18.69 IN
Product Family	General Purpose
Pulley End Bearing Type	Sealed Bearing
Service Factor	1.00
Shaft Diameter	0.945 IN
Shaft Extension Location	Pulley End

Part Detail

Revision	AM
Type	DC
Mech. spec.	35P454
Base	
Status	PRD/A
Elec. spec.	35WGZ170
Layout	35LYP454
Eff. date	10-28-2024
CD Diagram	CD0194
Poles	00
Leads	2#14 A Y
Proprietary	False
Created date	01-01-0001

Shaft Ground Indicator	No Shaft Grounding
Shaft Rotation	Reversible
Shaft Slinger Indicator	No Slinger

Nameplate

NP1049L			
CAT.NO.	VP3585-14		
SPEC.	35P454Z170		
KW/HP	1.5/2 TE	I.P.	54
RPM	1750 TE		
IEC FRAME	D90C	TYPE	3548P
ARM V	180	ARM A	9.6
FLD V		FLD A	
INSUL	F	AMB.	40
DUTY	CONT	SUPPLY	K
BRG/DE	6206	BRG/ODE	6205
BRUSHES	2/BP5000T15		
		BLANK	
SER.			
BLANK	1/MIN IC411 36KG		
APRV-CE	APRV-CSA	APRV-UL	

Accessories

Part number	Description	Multiplier
TK3500	TACHO MOUTING KIT TK3500	A8

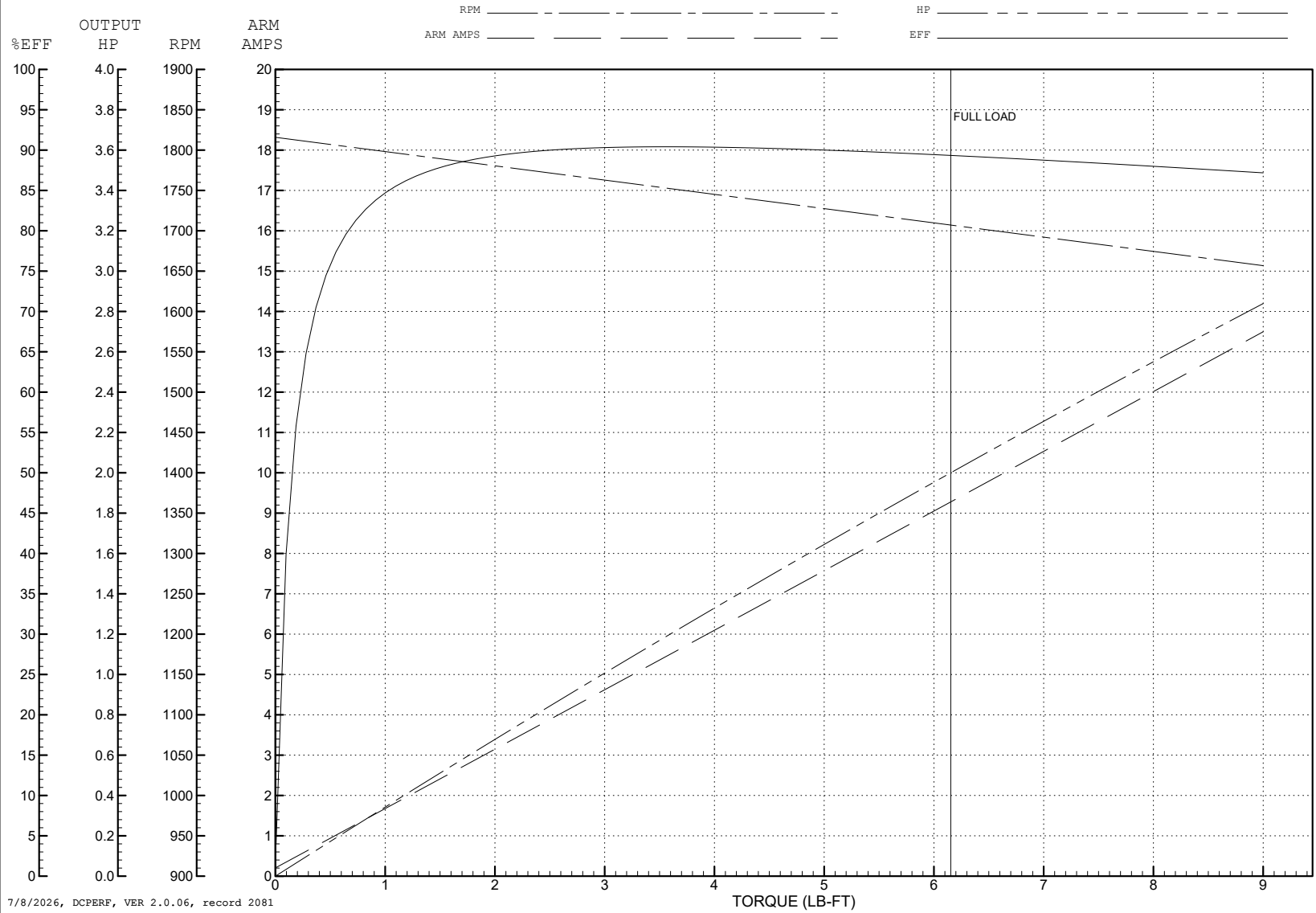
ABB Motors and Mechanical Inc.

WINDING # 35WGZ170

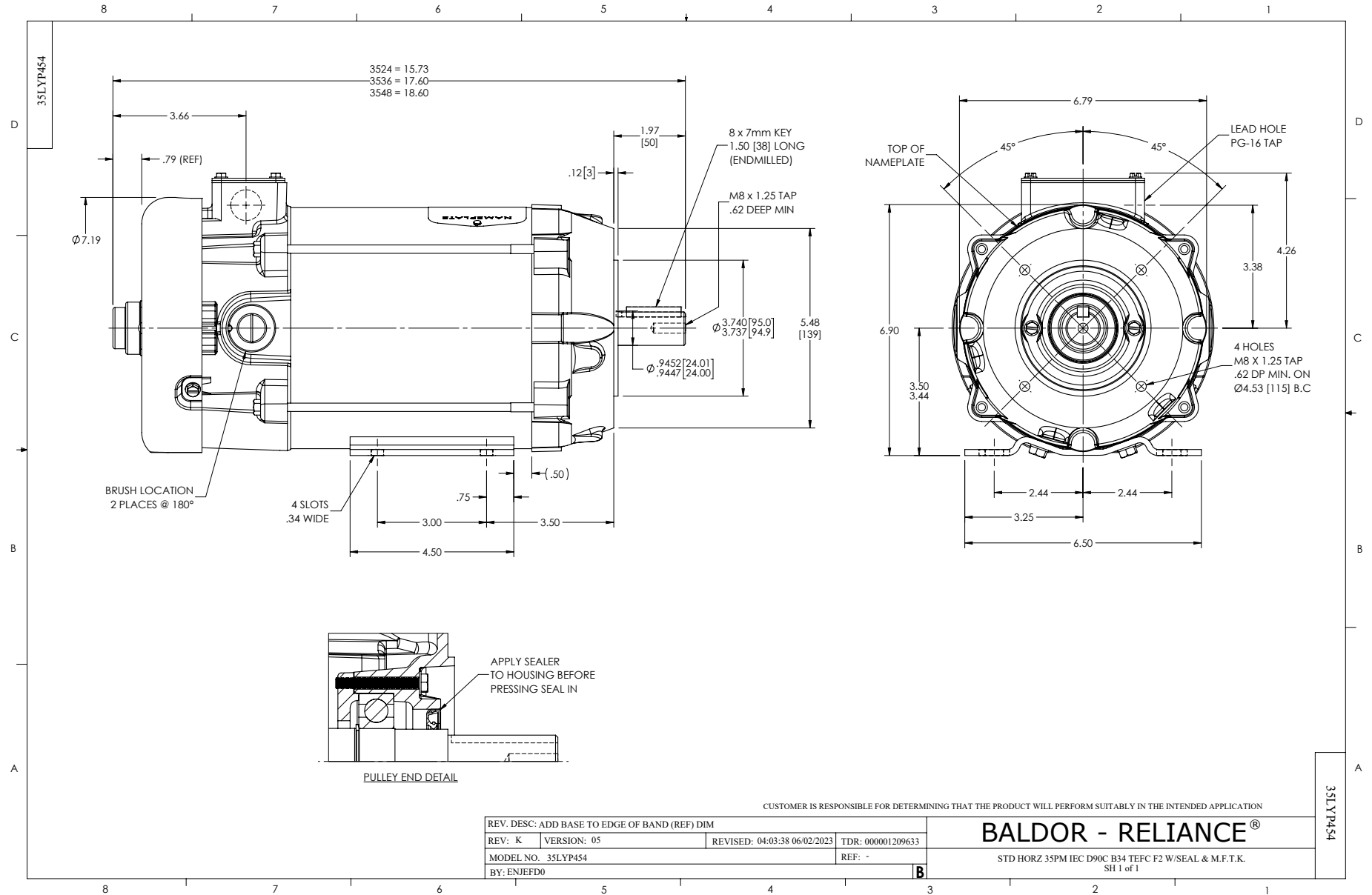
2 HP DC 1750 RPM 180 V 3548P

Typical performance - not guaranteed values.

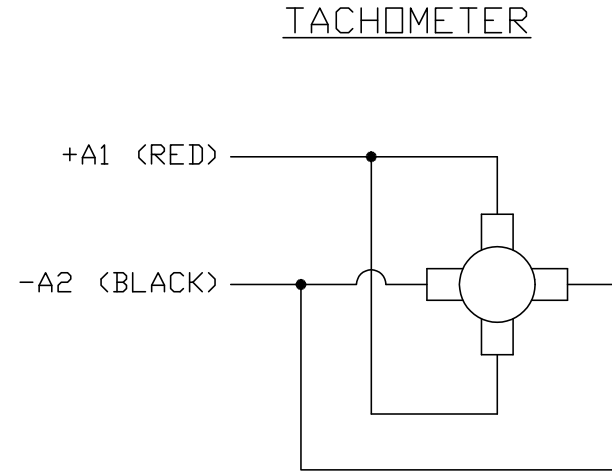
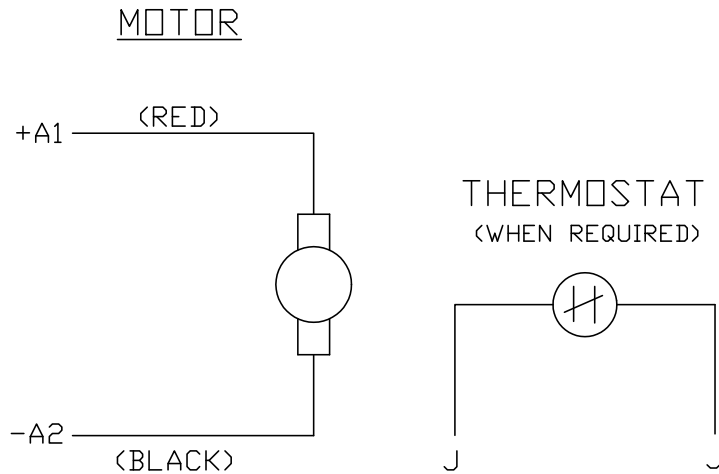
ENCL: TEFC DUTY: CONT CL: F



7/8/2026, DCPERF, VER 2.0.06, record 2081



CD0194



NOTES:

1. CCW ROTATION AS SHOWN FACING COMMUTATOR END. TO REVERSE MOTOR ROTATION OR TACHOMETER OUTPUT POLARITY INTERCHANGE LEADS A1(RED) & A2(BLACK)
2. LEAD COLORS FOR REFERENCE ONLY & NOT SPECIFIED BY THIS DRAWING. LEAD COLORS SPECIFIED BY LAYOUT DRAWING & BILL OF MATERIAL ONLY.

MATL: -			
REV: E	ADDED NOTE "LEAD COLORS FOR REFERENCE ONLY &..."		
CD0194	SCALE: -	BY: CK	REVISED: 07/28/95
	FILE: AAA00004503	TDR: 0078737	

BALDOR ELECTRIC Co.

CD TYPE P DC PERMANENT MAGNET MOTORS AND TACHOMETERS

CD0194