

**BALDOR • RELIANCE**

---

# Customer information packet

## VP3458D

.75/1KW, 3000RPM, DC, D80D, 3428P, TEFC, F2

Class - None

Division -

## Specifications

|                               |                           |
|-------------------------------|---------------------------|
| Armature Voltage              | 180 V                     |
| Base Speed                    | 3000 rpm                  |
| Enclosure                     | TEFC                      |
| Frame                         | D80D                      |
| Frame Material                | Steel                     |
| Output Power                  | 0.750 HP                  |
| XP Class and Group            | None                      |
| Agency Approvals              | CE<br>CSA<br>UR           |
| Ambient Temperature           | 40 °C                     |
| Armature Current              | 5.1 a                     |
| Armature Inertia              | 10.926 lb-ft <sup>2</sup> |
| Base Indicator                | Rigid                     |
| Bearing Grease Type           | Polyrex EM (-20F +300F)   |
| Drip Cover                    | No Drip Cover             |
| Duty Rating                   | CONT                      |
| Feedback Device               | NO FEEDBACK               |
| Frame Prefix                  | D                         |
| Heater Indicator              | No Heater                 |
| Lifting Lugs                  | No Lifting Lugs           |
| Motor Lead Exit               | Ko Box                    |
| Motor Lead Quantity/Wire Size | 2 @ 14 AWG                |
| Motor Lead Termination        | Flying Leads              |
| Motor Standards               | IEC                       |
| Mounting Arrangement          | B35                       |
| Overall Length                | 14.35 IN                  |
| Product Family                | BISSIC                    |
| Pulley End Bearing Type       | Sealed Bearing            |
| Service Factor                | 1.00                      |
| Shaft Diameter                | 0.748 IN                  |
| Shaft Extension Location      | Pulley End                |

## Part detail

|              |            |
|--------------|------------|
| Revision     | M          |
| Type         | DC         |
| Mech. spec.  | 34-6483    |
| Base         |            |
| Status       | PRD/A      |
| Elec. spec.  | 34WGZ145   |
| Layout       | 34LY6483   |
| Eff. date    | 10-16-2023 |
| CD Diagram   | CD0194     |
| Poles        | 00         |
| Leads        |            |
| Proprietary  | False      |
| Created date | 01-01-0001 |

|                                |                           |
|--------------------------------|---------------------------|
| <b>Shaft Ground Indicator</b>  | <b>No Shaft Grounding</b> |
| <b>Shaft Rotation</b>          | <b>Reversible</b>         |
| <b>Shaft Slinger Indicator</b> | <b>No Slinger</b>         |

---

**Nameplate**

| <b>NP1049L</b>   |                 |                |                |
|------------------|-----------------|----------------|----------------|
| <b>CAT.NO.</b>   | VP3458D         |                |                |
| <b>SPEC.</b>     | 34-6483Z145     |                |                |
| <b>KW/HP</b>     | .75/1 TE        | <b>I.P.</b>    | 54             |
| <b>RPM</b>       | 3000 TE         |                |                |
| <b>IEC FRAME</b> | D80D            | <b>TYPE</b>    | 3428P          |
| <b>ARM V</b>     | 180             | <b>ARM A</b>   | 5.1            |
| <b>FLD V</b>     |                 | <b>FLD A</b>   |                |
| <b>INSUL</b>     | F               | <b>AMB.</b>    | 40             |
| <b>DUTY</b>      | CONT            | <b>SUPPLY</b>  | 1.5            |
| <b>BRG/DE</b>    | 6206            | <b>BRG/ODE</b> | 6203           |
| <b>BRUSHES</b>   | 2/BP5000AW14    |                |                |
|                  |                 | <b>BLANK</b>   |                |
| <b>SER.</b>      |                 |                |                |
| <b>BLANK</b>     |                 |                |                |
| <b>APRV-CE</b>   | <b>APRV-CSA</b> |                | <b>APRV-UL</b> |

**Accessories**

| <b>Part number</b> | <b>Description</b>              | <b>Multiplier</b> |
|--------------------|---------------------------------|-------------------|
| TK3400             | TACHO MOUNTING KIT FOR TK3400   | A8                |
| TK3400-HPU         | HPU10 MOUNTING KIT 34P/35P TEFC |                   |

**DC Motor Performance Data**

Record # 1440

Typical performance - not guaranteed values

| <b>Winding: 34WGZ145-R001</b> |              | <b>Type: 3428P</b>                | <b>Enclosure: TEFC</b> |  |
|-------------------------------|--------------|-----------------------------------|------------------------|--|
| <b>Nameplate Data</b>         |              | <b>General Characteristics</b>    |                        |  |
| Rated Output (KW)             | 0.75         | <b>Armature Resistance @ 25°C</b> | 1.05 Ω                 |  |
| R.P.M.                        | 3000         |                                   |                        |  |
| Armature Volts                | 180          |                                   |                        |  |
| Armature Amps                 | 5.1          |                                   |                        |  |
| Field Volts                   |              | <b>Armature Inductance</b>        | 10.111 mH              |  |
| Field Amps                    |              | <b>Armature Inertia</b>           | 10.93 LI <sup>2</sup>  |  |
| Rating - Duty                 | 40C AMB-CONT |                                   |                        |  |
| Power Supply Code             | D            |                                   |                        |  |

**Load Characteristics at 180 Armature Volts**

| <b>Load Point</b>       | <b>1</b> | <b>2</b> | <b>3</b> | <b>4</b> | <b>5</b> | <b>6</b> | <b>7</b> |
|-------------------------|----------|----------|----------|----------|----------|----------|----------|
| <b>Armature Amps</b>    | 0.8      | 2.9      | 4.1      | 5.1      | 6.3      | 7.4      | 9.7      |
| <b>R.P.M.</b>           | 3296     | 3219     | 3180     | 3135     | 3094     | 3056     | 2990     |
| <b>Torque ( LB-FT )</b> | 0        | 0.875    | 1.375    | 1.75     | 2.25     | 2.625    | 3.5      |

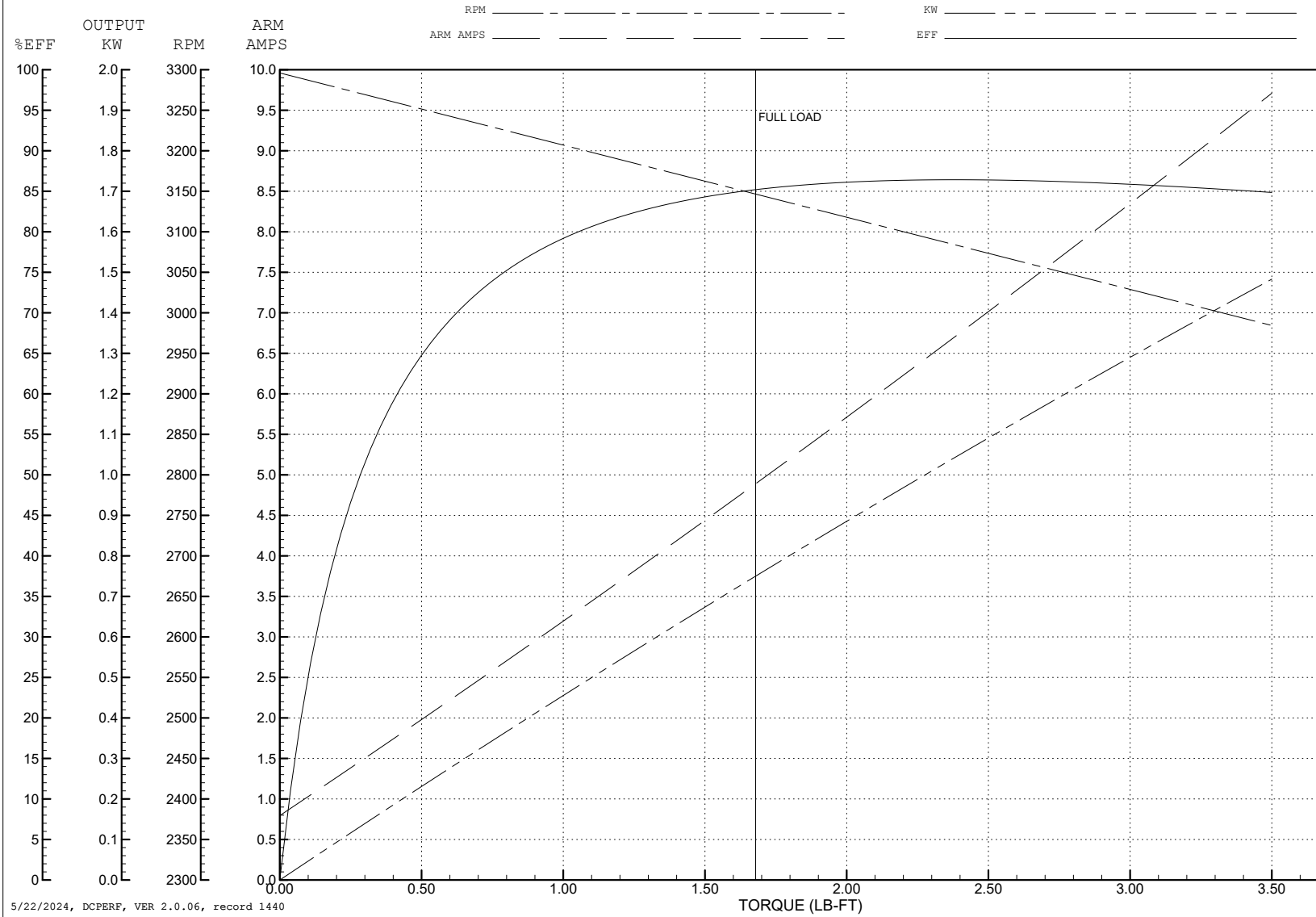
ABB Motors and Mechanical Inc.

WINDING # 34WGZ145

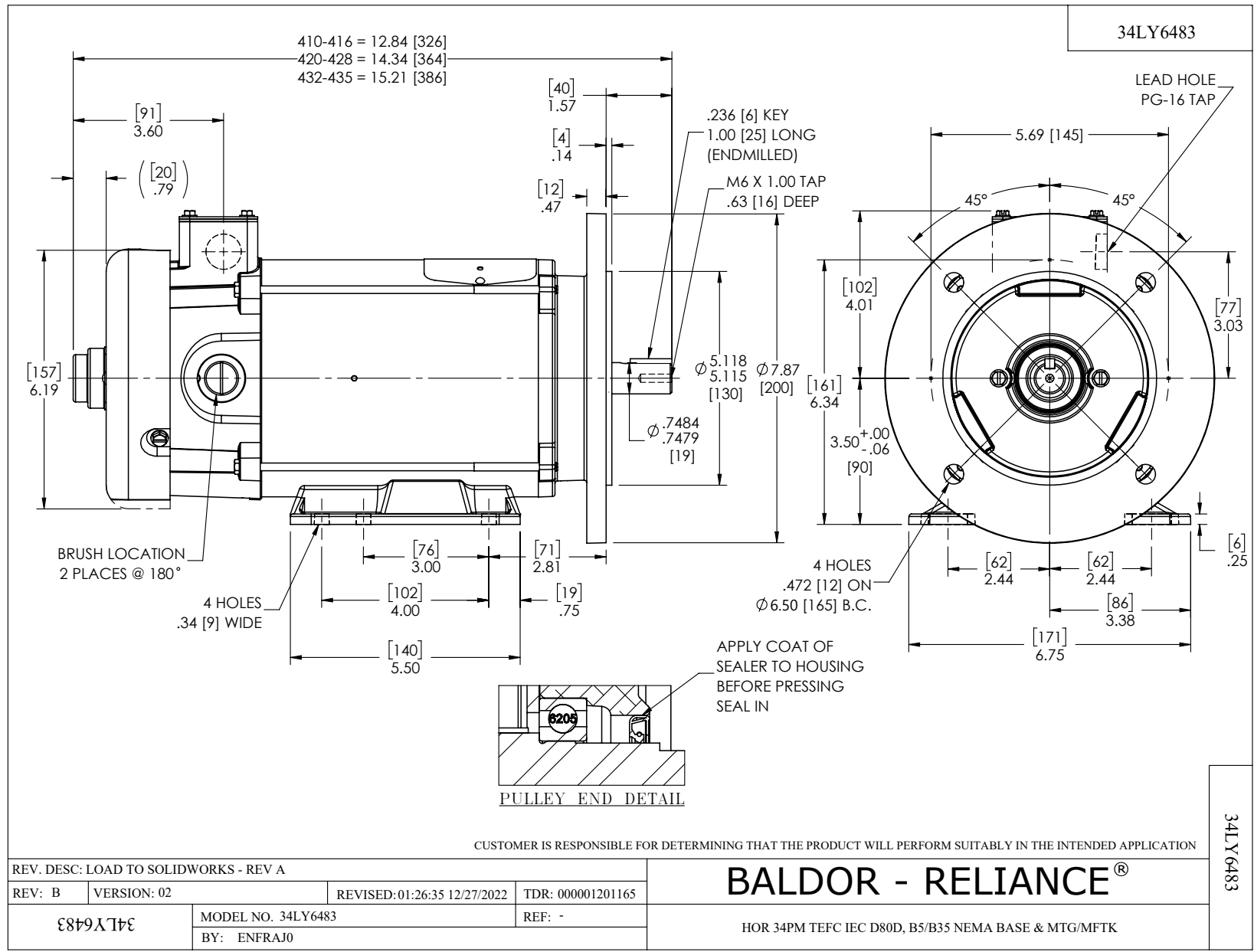
0.75 KW DC 3000 RPM 180 V 3428P

Typical performance - not guaranteed values.

ENCL: TEFC DUTY: CONT CL: F

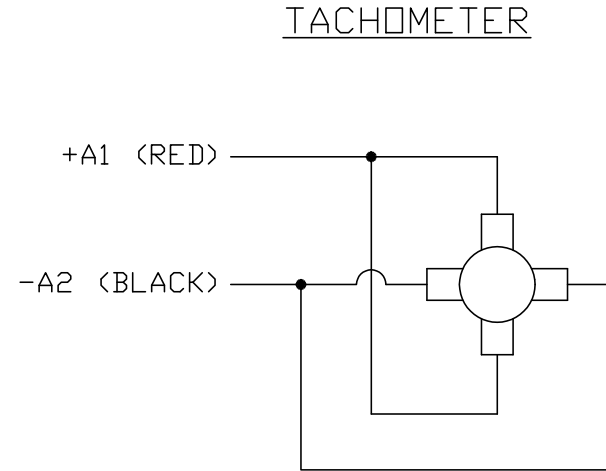
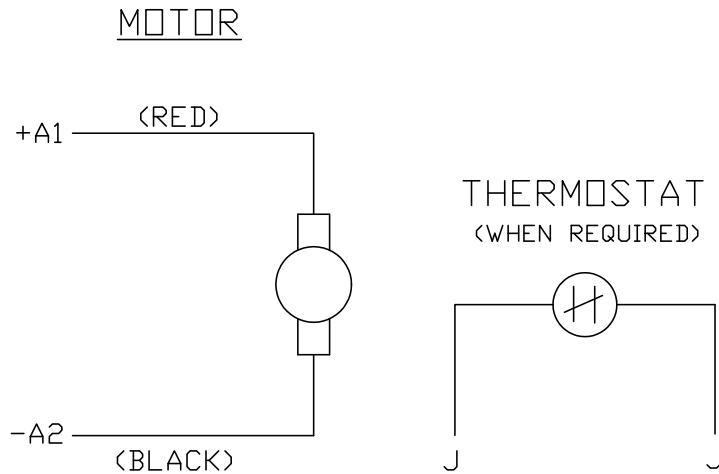


5/22/2024, DCPERF, VER 2.0.06, record 1440





CD0194



NOTES:

1. CCW ROTATION AS SHOWN FACING COMMUTATOR END. TO REVERSE MOTOR ROTATION OR TACHOMETER OUTPUT POLARITY INTERCHANGE LEADS A1(RED) & A2(BLACK)
2. LEAD COLORS FOR REFERENCE ONLY & NOT SPECIFIED BY THIS DRAWING. LEAD COLORS SPECIFIED BY LAYOUT DRAWING & BILL OF MATERIAL ONLY.

|         |  |              |                   |
|---------|--|--------------|-------------------|
| MATL: - |  |              |                   |
| REV: E  | ADDED NOTE "LEAD COLORS FOR REFERENCE ONLY &..." |              |                   |
| 761000  | SCALE: -   | BY: CK       | REVISED: 07/28/95 |
|         | FILE: AAA00004503                                | TDR: 0078737 |                   |

**BALDOR ELECTRIC Co.**

CD TYPE P DC PERMANENT MAGNET MOTORS AND TACHOMETERS

CD0194