

BALDOR® • RELIANCE™

Customer information packet

VP3458-14

1HP/.75KW/3000RPM/TEFC/34-6243Z145

Class - None

Division - Not Applicable

Copyright © All product information within this document is subject to ABB Motors and Mechanical Inc. copyright © protection, unless otherwise noted.

9/9/2024 7:17:40 AM

Specifications

Armature Voltage	180 V
Base Speed	3000 rpm
Enclosure	TEFC
Frame	D80C
Haz Area Class and Group	None
Output Power	0.750 HP
Agency Approvals	CSA UR
Ambient Temperature	40 °C
Armature Current	5.1 a
Armature Inertia	10.926 lb-ft ²
Base Indicator	Rigid
Bearing Grease Type	Polyrex EM (-20F +300F)
Drip Cover	No Drip Cover
Duty Rating	CONT
Feedback Device	NO FEEDBACK
Frame Prefix	D
Haz Area Division	Not Applicable
Heater Indicator	No Heater
Insulation Class	F
Lifting Lugs	No Lifting Lugs
Motor Lead Exit	Ko Box
Motor Lead Quantity/Wire Size	2 @ 14 AWG
Motor Lead Termination	Flying Leads
Motor Standards	IEC
Mounting Arrangement	B34
Overall Length	14.35 IN
Product Family	General Purpose
Pulley End Bearing Type	Sealed Bearing
Service Factor	1.00
Shaft Diameter	0.748 IN
Shaft Extension Location	Pulley End

Part detail

Revision	AE
Type	DC
Mech. spec.	34-6243
Base	
Status	PRD/A
Elec. spec.	34WGZ145
Layout	34LY6243
Eff. date	06-05-2024
CD Diagram	CD0194
Poles	00
Leads	
Proprietary	False
Created date	01-01-0001

Shaft Ground Indicator	No Shaft Grounding
Shaft Rotation	Reversible
Shaft Slinger Indicator	No Slinger

Nameplate

NP1049L				
CAT.NO.	VP3458-14			
SPEC.	34-6243Z145			
KW/HP	.75/1 TE	I.P.	44	
RPM	3000 1/MIN			
IEC FRAME	D80C	TYPE	3428P	
ARM V	180	ARM A	5.1	
FLD V		FLD A		
INSUL	F	AMB.	40	
DUTY	CONT	SUPPLY	1.5	
BRG/DE	6205	BRG/ODE	6203	
BRUSHES	2/BP5000AW14			
		BLANK	KG18 IC411	
SER.				
BLANK	IEC60034-1;-5			
APRV-CE	Y	APRV-CSA	Y	APRV-UL Y

Accessories

Part number	Description	Multiplier
TK3400	TACHO MOUNTING KIT FOR TK3400	A8
TK3400-HPU	HPU10 MOUNTING KIT 34P/35P TEFC	A8

DC Motor Performance Data

Record # 1440

Typical performance - not guaranteed values

Winding: 34WGZ145-R001		Type: 3428P		Enclosure: TEFC	
Nameplate Data			General Characteristics		
Rated Output (KW)	0.75	Armature Resistance @ 25°C	1.05 Ω		
R.P.M.	3000				
Armature Volts	180				
Armature Amps	5.1				
Field Volts		Armature Inductance	10.111 mH		
Field Amps		Armature Inertia	10.93 LI ²		
Rating - Duty	40C AMB-CONT				
Power Supply Code	D				

Load Characteristics at 180 Armature Volts

Load Point	1	2	3	4	5	6	7
Armature Amps	0.8	2.9	4.1	5.1	6.3	7.4	9.7
R.P.M.	3296	3219	3180	3135	3094	3056	2990
Torque (LB-FT)	0	0.875	1.375	1.75	2.25	2.625	3.5

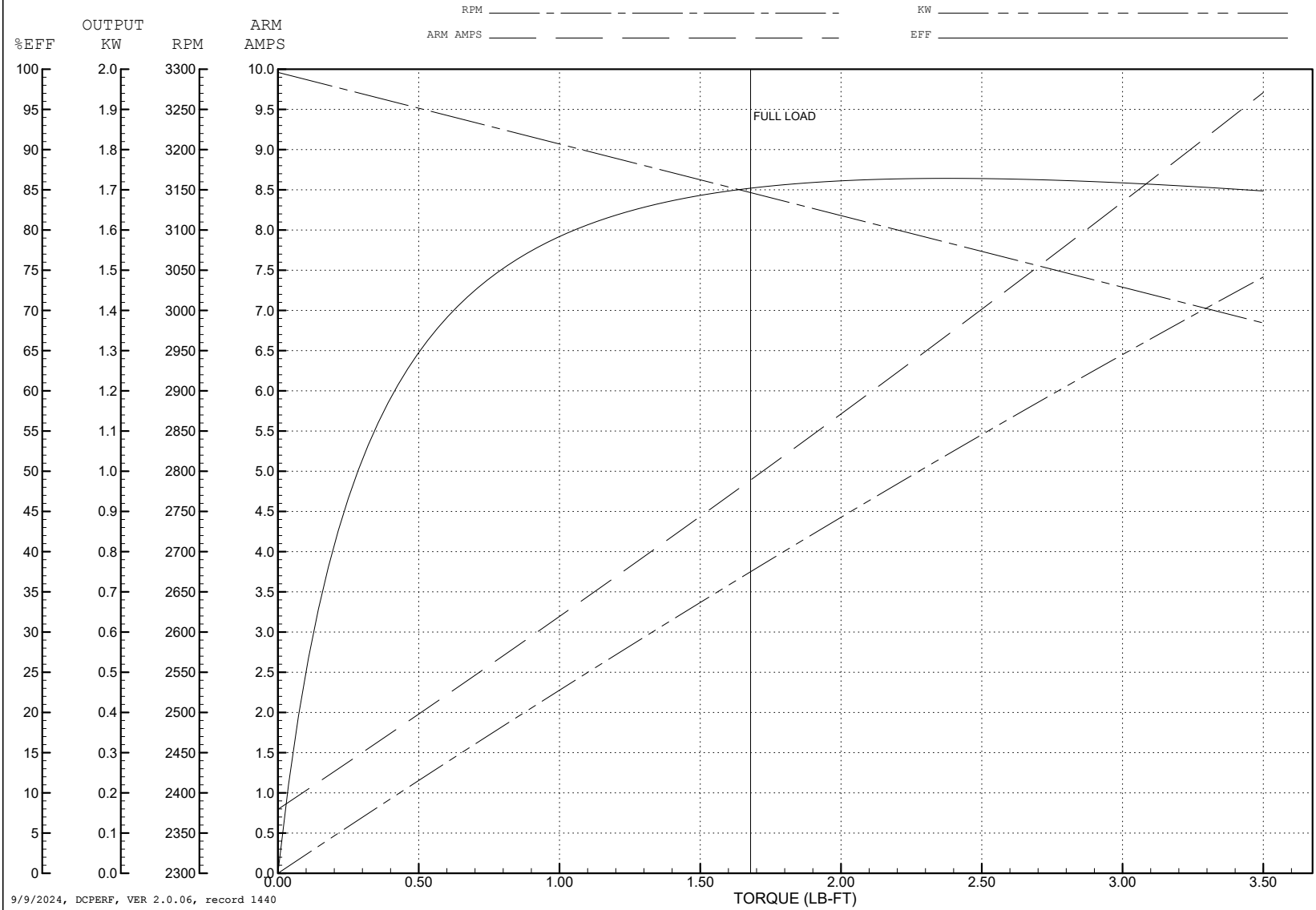
ABB Motors and Mechanical Inc.

WINDING # 34WGZ145

0.75 KW DC 3000 RPM 180 V 3428P

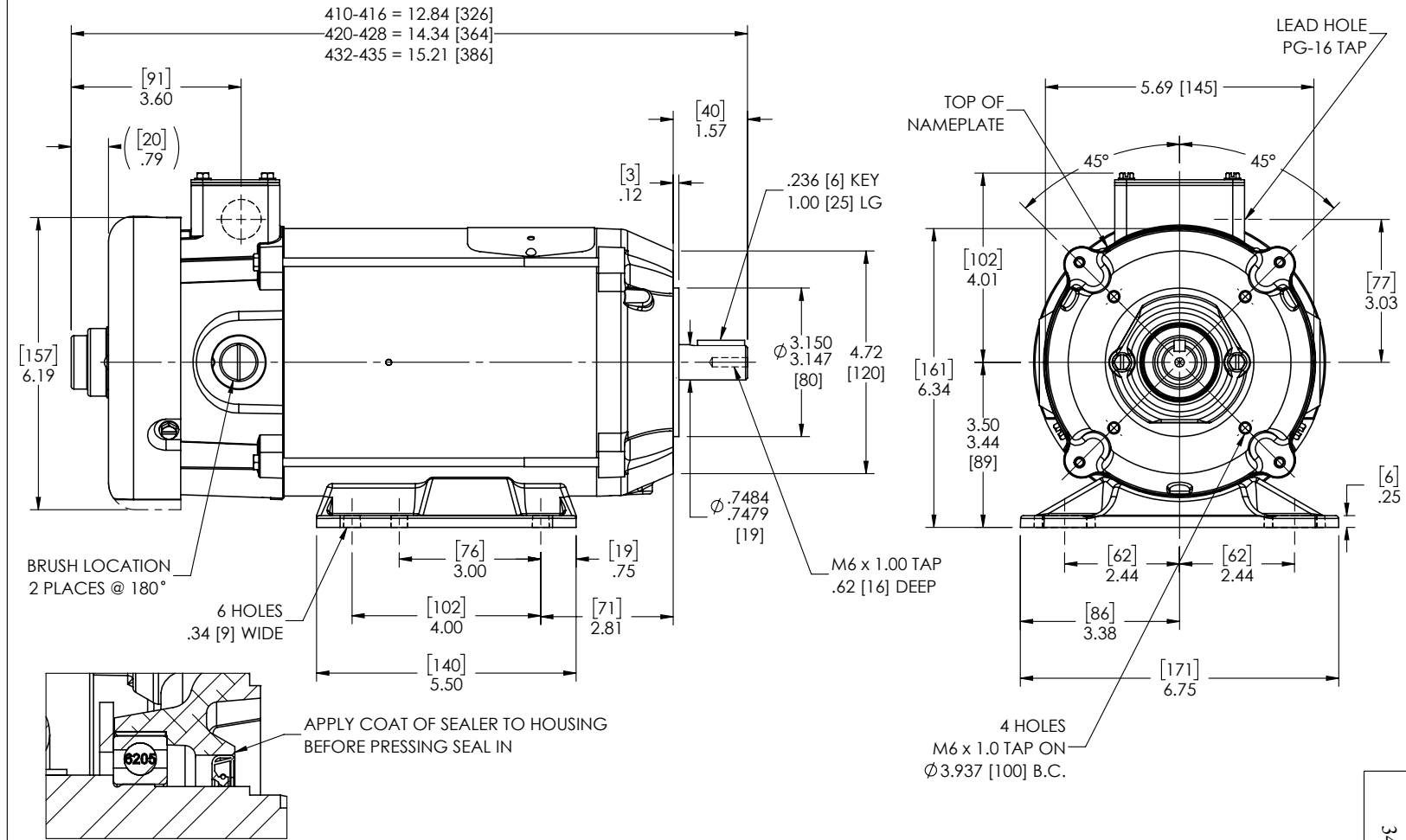
Typical performance - not guaranteed values.

ENCL: TEFC DUTY: CONT CL: F



9/9/2024, DCPERF, VER 2.0.06, record 1440

34LY6243



PULLEY END DETAIL

CUSTOMER IS RESPONSIBLE FOR DETERMINING THAT THE PRODUCT WILL PERFORM SUITABLY IN THE INTENDED APPLICATION

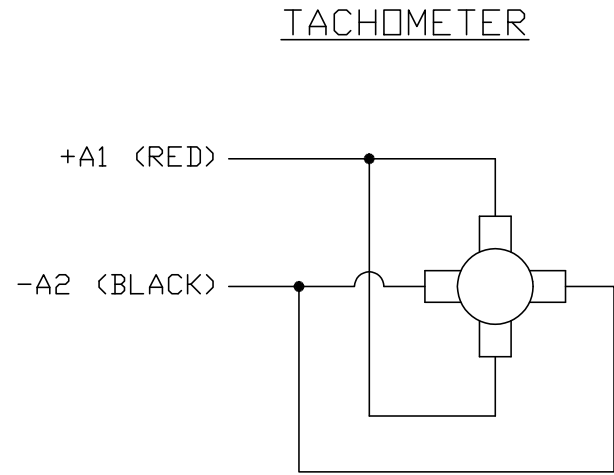
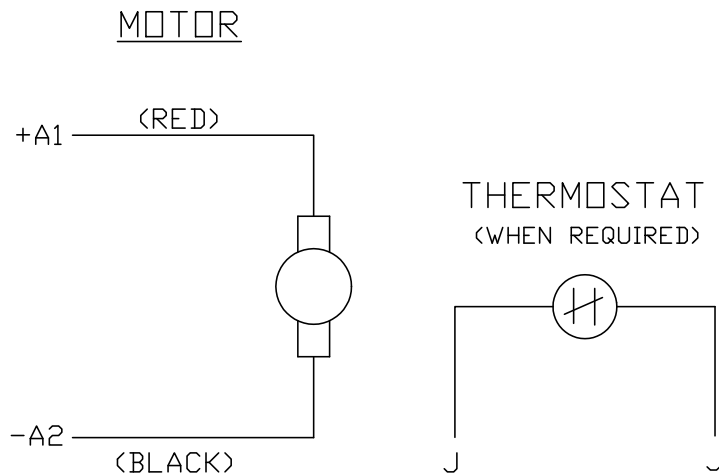
REV. DESC: ROTATE PU ENDPLATE SO DRAIN IS AT 6:00			
REV: Q	VERSION: 08	REVISED: 09:37:44 11/08/2023	TDR: 000001220064
34LY6243	MODEL NO. 34LY6243	REF: -	
	BY: ENJEFD0		

BALDOR - RELIANCE®

STD HORZ 34PM TEFC IEC D80C-B34 W/SEAL & M.F.T.K.

34LY6243

CD0194



NOTES:

1. CCW ROTATION AS SHOWN FACING COMMUTATOR END. TO REVERSE MOTOR ROTATION OR TACHOMETER OUTPUT POLARITY INTERCHANGE LEADS A1(RED) & A2(BLACK)
2. LEAD COLORS FOR REFERENCE ONLY & NOT SPECIFIED BY THIS DRAWING. LEAD COLORS SPECIFIED BY LAYOUT DRAWING & BILL OF MATERIAL ONLY.

MATL: -			
REV: E	ADDED NOTE "LEAD COLORS FOR REFERENCE ONLY &..."		
761000	SCALE: -	BY: CK	REVISED: 07/28/95
	FILE: AAA00004503	TDR: 0078737	

BALDOR ELECTRIC Co.

CD TYPE P DC PERMANENT MAGNET MOTORS AND TACHOMETERS

CD0194