

ABB BALDOR RELIANCE III

Customer information packet

VP3455-14

075/1HP, 1750RPM, DC, D80C, 3435P, TEFC, F2

Class - None

Division -

Specifications

Armature Voltage	180 V
Base Speed	1750 rpm
Enclosure	TEFC
Frame	D80C
Frame Material	Steel
Haz Area Class and Group	None
Output Power	1.000 HP
Agency Approvals	CE CSA UR
Ambient Temperature	40 °C
Armature Current	5.0 a
Armature Inertia	13.657 lb-ft ²
Base Indicator	Rigid
Bearing Grease Type	Polyrex EM (-20F +300F)
Drip Cover	No Drip Cover
Duty Rating	CONT
Feedback Device	NO FEEDBACK
Frame Prefix	D
Heater Indicator	No Heater
Lifting Lugs	No Lifting Lugs
Motor Lead Exit	Ko Box
Motor Lead Quantity/Wire Size	2 @ 14 AWG, A
Motor Lead Termination	Flying Leads
Motor Standards	IEC
Mounting Arrangement	B34
Overall Length	15.22 IN
Product Family	General Purpose
Pulley End Bearing Type	Sealed Bearing
Service Factor	1.00
Shaft Diameter	0.748 IN
Shaft Extension Location	Pulley End

Part Detail

Revision	AJ
Type	DC
Mech. spec.	34-6243
Base	
Status	PRD/A
Elec. spec.	34WG3865
Layout	34LY6243
Eff. date	10-25-2024
CD Diagram	CD0194
Poles	00
Leads	2#14 A Y
Proprietary	False
Created date	01-01-0001

Shaft Ground Indicator	No Shaft Grounding
Shaft Rotation	Reversible
Shaft Slinger Indicator	No Slinger

Nameplate

NP1049L				
CAT.NO.	VP3455-14			
SPEC.	34-6243-3865			
KW/HP	.75/1HP TE	I.P.	54	
RPM	1750 1/MIN			
IEC FRAME	D80C	TYPE	3435P	
ARM V	180	ARM A	5	
FLD V		FLD A		
INSUL	F	AMB.	40	
DUTY	S1 CONT	SUPPLY	1.5	
BRG/DE	6205	BRG/ODE	6203	
BRUSHES	2/BP5000AW14			
SER.	BLANK			
BLANK	IC411 20KG IEC60034-1;-5			
APRV-CE	Y	APRV-CSA	Y	APRV-UL Y

Accessories

Part number	Description	Multiplier
TK3400	TACHO MOUNTING KIT FOR TK3400	A8
TK3400-HPU	HPU10 MOUNTING KIT 34P/35P TEFC	

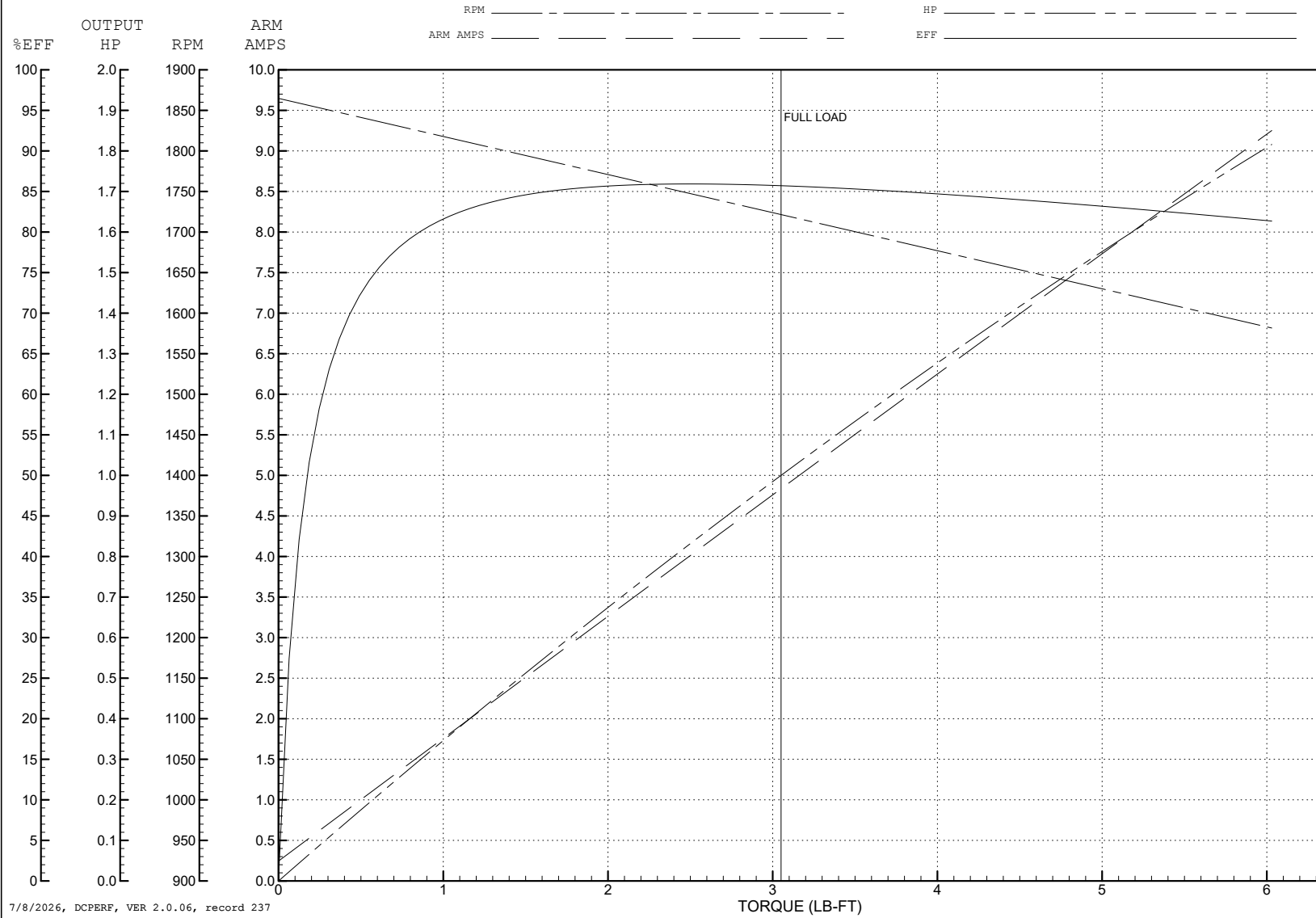
ABB Motors and Mechanical Inc.

WINDING # 34WG3865

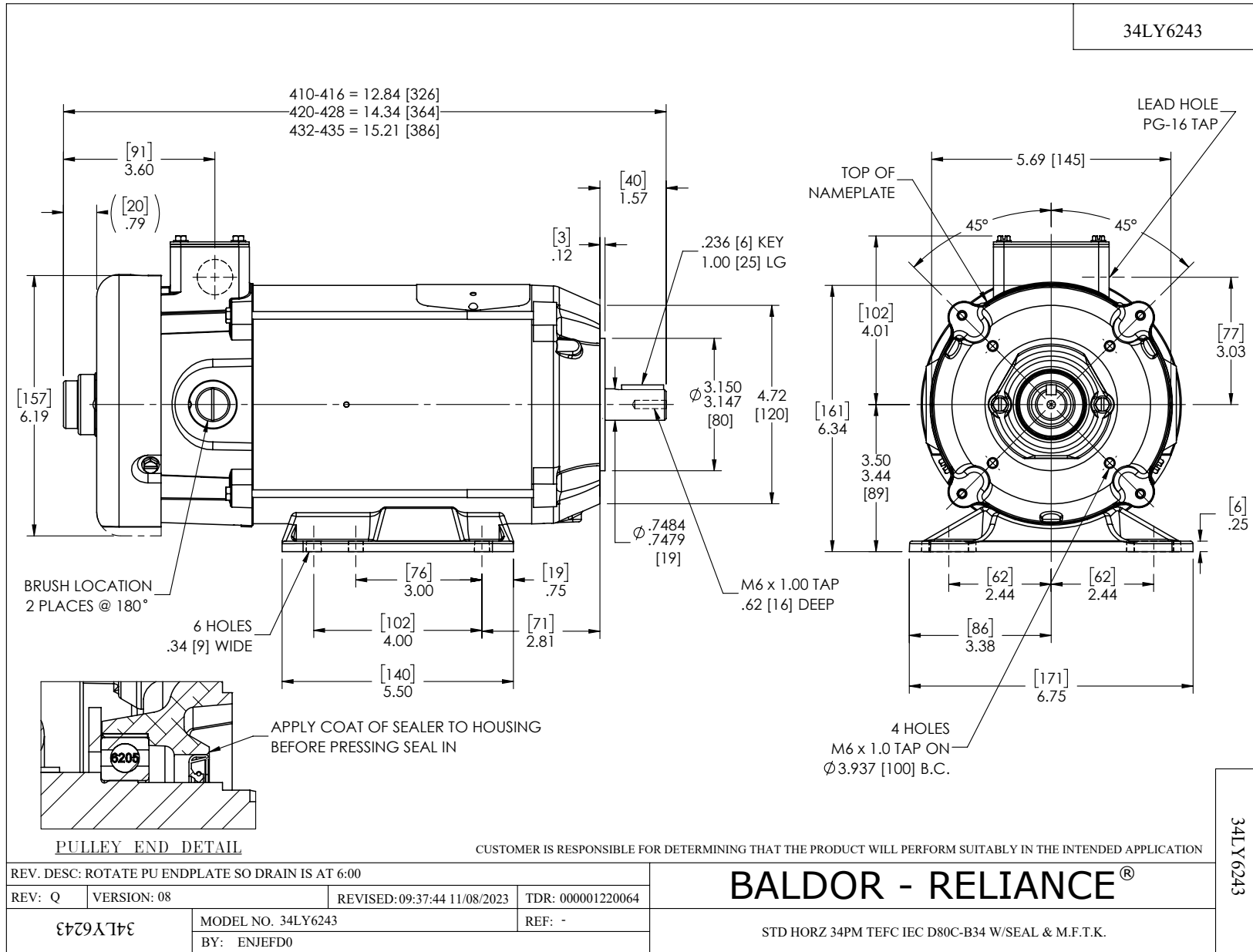
1 HP DC 1750 RPM 180 V 3435P

Typical performance - not guaranteed values.

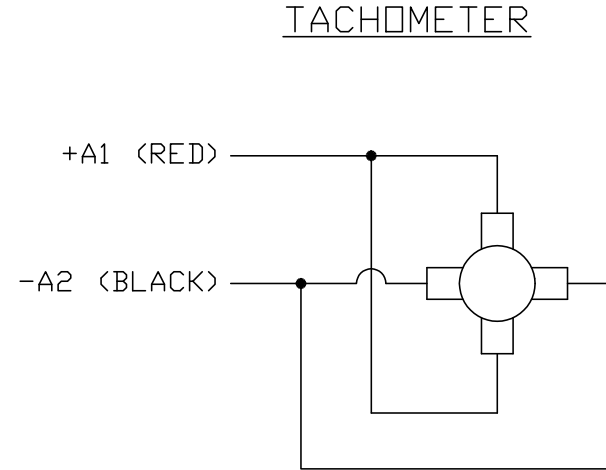
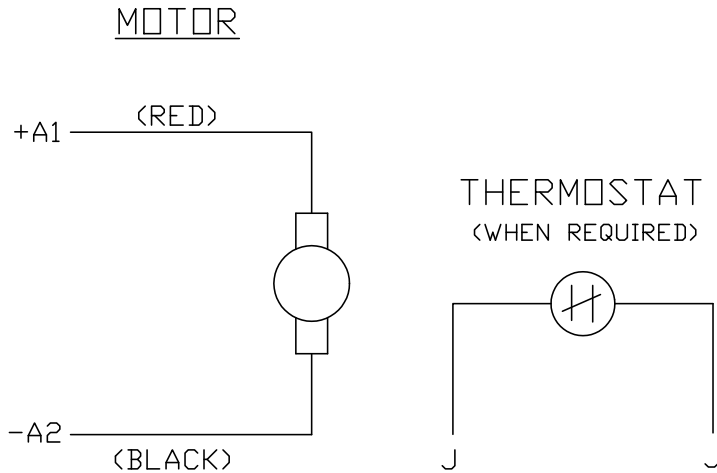
ENCL: TEFC DUTY: CONT CL: F



7/8/2026, DCPERF, VER 2.0.06, record 237



CD0194



NOTES:

1. CCW ROTATION AS SHOWN FACING COMMUTATOR END. TO REVERSE MOTOR ROTATION OR TACHOMETER OUTPUT POLARITY INTERCHANGE LEADS A1(RED) & A2(BLACK)
2. LEAD COLORS FOR REFERENCE ONLY & NOT SPECIFIED BY THIS DRAWING. LEAD COLORS SPECIFIED BY LAYOUT DRAWING & BILL OF MATERIAL ONLY.

MATL: -			
REV: E	ADDED NOTE "LEAD COLORS FOR REFERENCE ONLY &..."		
CD0194	SCALE: -	BY: CK	REVISED: 07/28/95
	FILE: AAA00004503	TDR: 0078737	

BALDOR ELECTRIC Co.

CD TYPE P DC PERMANENT MAGNET MOTORS AND TACHOMETERS

CD0194